

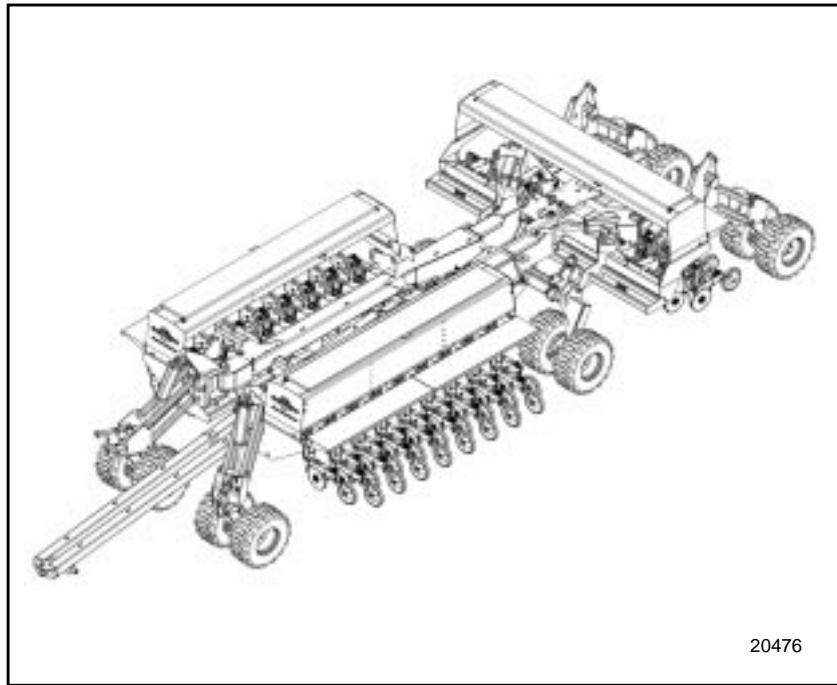
# Parts Manual

3N-4010 & 3N-4020

No-Till Drill



*Read the operator's manual entirely. When you see this symbol, the subsequent instructions and warnings are serious - follow without exception. Your life and the lives of others depend on it!*



*Cover illustration may show optional equipment not supplied with standard unit.*



# Table of Contents

<b>Section 1 Introduction</b> .....	<b>1-1</b>	10 & 20 Series Air Design Scraper (Option) .....	7-17
<b>General Information</b> .....	<b>1-1</b>	Side Wheel Scraper (Option) .....	7-19
Using This Manual .....	1-1	10 & 20 Series Seed-Lok (Option) .....	7-21
Manual Replacement Information .....	1-1	HD10 Series Seed-Lok (Option) .....	7-23
Manual Revisions .....	1-1	Coulter .....	7-25
Touch-up Paint .....	1-1	Grease Bank .....	7-27
Hardware Legend .....	1-2	Coulter Tine (Option) .....	7-29
Replacement Hardware .....	1-2	<b>Section 8 Press Wheels</b> .....	<b>8-1</b>
Serial Numbers .....	1-2	2" x 13" Single Press Wheel .....	8-1
Part Number Service Coding .....	1-2	3" x 13" Single Press Wheel .....	8-3
Part Number Index .....	1-3	1" x 12" Double "V" Press Wheel .....	8-5
<b>Section 2 Tongue and Frame</b> .....	<b>2-1</b>	1" x 12" Double "V" Press Wheel Short .....	8-7
Hitch To Tongue .....	2-1	1" x 12" Double "V" Press Wheel Long .....	8-9
Tongue To Wings .....	2-3	1" x 10" Double "V" Press Wheel .....	8-11
Wing To Center Frame .....	2-5	1 1/4" x 13 1/2" Double Press Wheel .....	8-13
<b>Section 3 Rockshaft</b> .....	<b>3-1</b>	1 1/4" x 13" Double Press Wheel .....	8-15
Rockshaft .....	3-1	2" x 12 1/2" Double Press Wheel .....	8-17
Rockshaft To Frame .....	3-3	2" x 12 1/2" Double Press Wheel .....	8-19
Rear Axle Assembly .....	3-5	1" x 12" Double "V" Press Wheel .....	8-21
Gauge Wheel .....	3-7	<b>Section 9 Hydraulics</b> .....	<b>9-1</b>
Gauge Wheel Striker Plate .....	3-9	Lift And Fold Hydraulics .....	9-1
<b>Section 4 Box To Frame</b> .....	<b>4-1</b>	Rear Axle Hydraulics .....	9-3
Box To Frame .....	4-1	Lock Cylinder Hydraulics .....	9-5
Box Components .....	4-3	Hydraulic Cylinder (810-500C 5x20x2 Rod) .....	9-7
Seed Level Indicator .....	4-5	Hydraulic Cylinder (810-499C 5x24x2 Rod) .....	9-9
Walkboards And Steps .....	4-7	Hydraulic Cylinder (810-498C 4.5x16x1.5 Rod) .....	9-11
<b>Section 5 Drive</b> .....	<b>5-1</b>	Hydraulic Cylinder (810-497C 4.75x16x1.5 Rod) .....	9-13
Center Section Drive .....	5-1	Hydraulic Cylinder (810-496C 5x16x1.5 Rod) .....	9-15
Wing Drive .....	5-3	Hydraulic Cylinder (810-201C 1.5x2.5x.75 Rod) .....	9-17
Veris Drive Components .....	5-5	Stroke Control Valve (810-503C) .....	9-19
Veris Drive Controller .....	5-7	Double Selector Valve (810-274C) .....	9-21
<b>Section 6 Metering System</b> .....	<b>6-1</b>	<b>Section 10 Decals</b> .....	<b>10-1</b>
Seed Rate Adjustment Handle (118-881S) .....	6-1	Decals .....	10-1
Feeder Cup Channel (LH 7.5") .....	6-3	<b>Section 11 Monitor</b> .....	<b>11-1</b>
Feeder Cup Channel (Center 7.5") .....	6-5	Point Row .....	11-1
Feeder Cup Channel (RH 7.5") .....	6-7	<b>Section 12 Marker</b> .....	<b>12-1</b>
Feeder Cup Channel (LH 10") .....	6-9	Marker Arm .....	12-1
Feeder Cup Channel (Center 10") .....	6-11	Marker Disk And Hub (113-790S) .....	12-3
Feeder Cup Channel (RH 10") .....	6-13	LH Marker Hydraulics .....	12-5
<b>Section 7 Openers</b> .....	<b>7-1</b>	Dual Marker Hydraulics .....	12-7
10 Series Opener Arms & Mounts .....	7-1	Hydraulic Cylinder (810-423C 3 x 24 x 1.5 Rod) .....	12-9
10 Series Opener Body .....	7-3	Sequence Valve (810-422C) .....	12-11
HD10 Series Opener Arms & Mounts .....	7-5	<b>Section 13 Weight Bracket</b> .....	<b>13-1</b>
HD10 Series Opener Body .....	7-7	Weight Bracket (Option) .....	13-1
20 Series Opener Arms & Mounts .....	7-9		
20 Series Opener Body .....	7-11		
10 & 20 Series Keeton Seed Firmer (Option) .....	7-13		
HD10 Series Keeton Seed Firmer (Option) .....	7-15		

© Copyright 2000 All rights Reserved

Great Plains Manufacturing, Inc. provides this publication "as is" without warranty of any kind, either expressed or implied. While every precaution has been taken in the preparation of this manual, Great Plains Manufacturing, Inc. assumes no responsibility for errors or omissions. Neither is any liability assumed for damages resulting from the use of the information contained herein. Great Plains Manufacturing, Inc. reserves the right to revise and improve its products as it sees fit. This publication describes the state of this product at the time of its publication, and may not reflect the product in the future.

Great Plains Manufacturing, Incorporated Trademarks  
The following are trademarks of Great Plains Mfg., Inc.: Application Systems, Ausherman, Land Pride, Great Plains

All other brands and product names are trademarks or registered trademarks of their respective holders.

*Printed in the United States of America.*



# Alphabetical Page Index

## Numerics

1 1/4" x 13 1/2" Double Press Wheel	8-13
1 1/4" x 13" Double Press Wheel	8-15
1" x 10" Double "V" Press Wheel	8-11
1" x 12" Double "V" Press Wheel	8-5, 8-21
1" x 12" Double "V" Press Wheel Long	8-9
1" x 12" Double "V" Wheel Short	8-7
10 & 20 Series Air Design Scraper (Option)	7-17
10 & 20 Series Keeton Seed Firmer (Option)	7-13
10 & 20 Series Seed-Lok (Option)	7-21
10 Series Opener Arms & Mounts	7-1
10 Series Opener Body	7-3
2" x 12 1/2" Double Press Wheel	8-17, 8-19
2" x 13" Single Press Wheel	8-1
20 Series Opener Arms & Mounts	7-9
20 Series Opener Body	7-11
3" x 13" Single Press Wheel	8-3

## B

Box Components	4-3
Box To Frame	4-1

## C

Center Section Drive	5-1
Coulter	7-25
Coulter Tine (Option)	7-29

## D

Decals	10-1
Double Selector Valve (810-274C)	9-21
Duel Marker Hydraulics	12-7

## F

Feeder Cup Channel (Center 10")	6-11
Feeder Cup Channel (Center 7.5")	6-5
Feeder Cup Channel (LH 10")	6-9
Feeder Cup Channel (LH 7.5")	6-3
Feeder Cup Channel (RH 10")	6-13
Feeder Cup Channel (RH 7.5")	6-7

## G

Gauge Wheel	3-7
Gauge Wheel Striker Plate	3-9
Grease Bank	7-27

## H

HD10 Series Keeton Seed Firmer (Option)	7-15
HD10 Series Opener Arms & Mounts	7-5
HD10 Series Opener Body	7-7
HD10 Series Seed-Lok (Option)	7-23

Hitch To Tongue	2-1
Hydraulic Cylinder (810-201C)	9-17
Hydraulic Cylinder (810-423C)	12-9
Hydraulic Cylinder (810-496C)	9-15
Hydraulic Cylinder (810-497C)	9-13
Hydraulic Cylinder (810-498C)	9-11
Hydraulic Cylinder (810-499C)	9-9
Hydraulic Cylinder (810-500C)	9-7

## L

LH Marker Hydraulics	12-5
Lift And Fold Hydraulics	9-1
Lock Cylinder Hydraulics	9-5

## M

Marker Arm	12-1
Marker Disk And Hub (113-790S)	12-3

## P

Point Row	11-1
-----------	------

## R

Rear Axle Assembly	3-5
Rear Axle Hydraulics	9-3
Rockshaft	3-1
Rockshaft To Frame	3-3

## S

Seed Level Indicator	4-5
Seed Rate Adjustment Handle	6-1
Sequence Valve (810-422C)	12-11
Side Wheel Scraper (Option)	7-19
Stroke Control Valve (810-503C)	9-19

## T

Tongue To Wings	2-3
-----------------	-----

## V

Veris Drive Components	5-5
Veris Drive Controller	5-7

## W

Walkboards And Steps	4-7
Weight Bracket (Option)	13-1
Wing Drive	5-3
Wing To Center Frame	2-5



# General Information

## Using This Manual

This manual is divided into sections. The first section contains General Information, a Table of Contents, an Alphabetical Page Index, and a Part Number Index. The remaining sections divide the machine into segments (i.e. Frames, Drives, Hydraulics, etc.) which illustrate and list all parts.

The Great Plains parts in this manual are specially designed for this machine and should be replaced with Great Plains parts only.

The information in this manual is current at printing. Some parts may change to assure top performance.

Right-hand and left-hand as used in this manual are determined by facing the direction the machine will travel while in use.

Below is an example of two facing pages from a parts manual. Familiarize yourself with the contents of these pages.

## Manual Replacement Information

Replacement manuals are available. Refer to your dealer or the Great Plains Publications Catalog for additional information.

## Manual Revisions

When this manual is revised, the modification date is printed on the front cover and on the revised page(s).

## Touch-up Paint

Repaint parts where paint is worn or scratched to prevent rust. Aerosol touch-up paint is available. To order use Great Plains parts numbers below:

- GP Green . . . . . 821-001C
- GP Black . . . . . 821-002C
- GP Beige . . . . . 821-003C
- GP Buckskin . . . . . 821-004C

The diagram shows two facing pages from a parts manual. The left page is an illustration page for 'Tongue & Pull Bar (S/N 00000-)'. It includes a page number '2-1', manual name 'CF500 and CF600', and a serial number break. The illustration is labeled with numbers 1 through 24. The right page is a parts list for 'Tongue & Pull Bar (S/N 00000-)' under the section name 'Frames | 2-2'. It lists 24 parts with their part numbers and descriptions. The parts list is labeled with a section number '2'. Labels with arrows point to various elements: Page Number, Manual Name, Serial Number Break, Illustration Page, Parts Page, Section Name, Section Number, Illustration Heading, Illustration, Illustration Number, Manual Number, and New or Modification Date.

## Hardware Legend

AR	As Required
BLADE	Blade Bolt
C	Cap Screw
CP	Cotter Pin
CPHSSS	Cup Point Hex Socket Set Screw
CPSHSS	Cup Point Square Head Set Screw
CPSQHSS	Cup Point Square Head Set Screw
CRFCHMS	Cross Recess Flat Countersunk Head Mach. Screw
CRPHMS	Cross Recess Pan Head Machine Screw
CRPHTFS	Cross Recess Pan Head Thread Forming
CRRHMS	Cross Recess Round Head Machine Screw
CRTHMS	Cross Recess Truss Head Machine Screw
CSNB	Countersunk Square Neck Bolt
FHMS	Flat Head Machine Screw
FTC	Full Thread Cap Screw
H	Hex Nut
HCLN	Hex Center Lock Nut
HFLCS	Hex Flange Lock Cap Screw
HFS	Hex Flange Screw
HFSLN	Hex Flange Serrated Lock Nut
HFSS	Hex Flange Serrated Screw
HHCS	Hex Head Cap Screw or Metric Bolt
HSBHCS	Hex Socket Button Head Cap Screw
HSFCHCS	Hex Socket Flat Countersunk Head Cap Screw
HSHCS	Hex Socket Head Cap Screw
HSSS	Hex Socket Head Screw
HTLN	Hex Top Lock Nut
HWHCS	Hex Washer Head Cap Screw

HWHMS	Hex Washer Head Machine Screw
HXBHCS	Hex Socket Button Head Cap Screw
J	Hex Jam Nut
JIC	37 Degree Tapered Thread
L	Helical Spring Lock Washer
LUG	Lug Bolt
NFC	National Fine Cap Screw
NPSM	National Pipe Straight Mechanical
NPTF	National Pipe Taper Fuel
P	Wide Plain Washer
PHMS	Pan Head Machine Screw
PLOW	Plow Bolt
RHMS	Round Head Machine Screw
RHSNB	Round Head Square Neck Bolt
SCREW LEVELING	Leveling Screw
SCREW THUMB	Thumb Screw
SCREW WELD	Weld Screw
SFCHMS	Slotted Flat Countersunk Head Machine Screw
SFHMS	Slotted Fillister Head Machine Screw
SP	Special
SP SCREW	Special Screw
SQHSS	Square Head Set Screw
SRHMS	Slotted Round Head Machine Screw
SSS	Socket Set Screw
STCS	Self Tapping Cap Screw
STHMS	Slotted Truss Head Machine Screw
WHEEL	Wheel Studs and Hub Long Bolts
WING	Wing Bolt

## Replacement Hardware

The **Hardware Legend** above lists hardware abbreviations used in the parts lists. All bolts and nuts are grade 5 unless otherwise noted. The use of improper grades of hardware can result in personal injury, damage to equipment, or loss of property.

## Serial Numbers

Always use the serial and model number when ordering parts. Refer to the operator's manual for serial number plate location.

(S/N 20001+ or S/N 20001 and above) Includes serial numbers 20001 and above (to the latest number)

(S/N 10001↔20000) Includes serial numbers between 10000 and 20001

(S/N 10000- or S/N 10000 and below) Includes serial numbers 10000 and below (to the earliest number)

## Part Number Service Coding

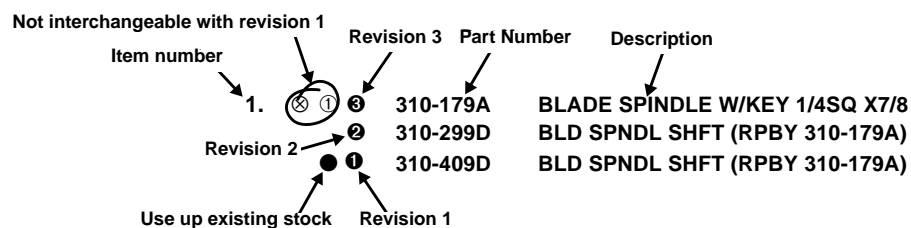
Within the parts lists some part numbers are coded for revisions and interchangeability.

Bold face type indicates parts that have been revised. These parts are considered interchangeable unless otherwise noted.

### Service Code Legend:

- ① First revision, e.g.; ② is 2nd revision, ③ is 3rd revision, etc.  
(Greater numbers are the newest.)
- Use existing stock of this part before ordering the revision.
- ⊗ Not interchangeable
- ⊗①② Revision 2 is not interchangeable w/1

The sample below shows how these codes are used.



## Part Number Index

<u>Part Number</u>	<u>Page</u>	<u>Part Number</u>	<u>Page</u>	<u>Part Number</u>	<u>Page</u>	<u>Part Number</u>	<u>Page</u>
1-100-02-00	12-4	113-793H	12-2	118-630D	6-10	196-050H	2-6
1042	12-12	118-052H	4-2	118-642D	4-2	196-106H	3-6
1079	9-22	118-226S	6-10	118-880H	6-2	196-149D	2-6
1084	9-22	118-226S	6-12	119-153D	4-4	196-166H	2-2
1087-250	12-12	118-226S	6-14	119-154D	4-4	196-245H	5-2
1087-437	12-12	118-226S	6-4	119-190D	4-2	196-245H	5-4
1088-011	12-12	118-226S	6-6	119-211D	4-8	196-246H	5-4
1088-905	12-12	118-226S	6-8	120-286D	5-2	196-272K	3-2
1088-906	12-12	118-336D	6-10	120-286D	5-4	196-272K	3-6
1088-908	12-12	118-336D	6-12	120-293D	5-2	196-272K	3-8
1089-011	12-12	118-336D	6-14	120-293D	5-2	196-273K	3-2
1092-6	12-12	118-336D	6-4	120-293D	5-4	196-273K	3-6
1099	12-12	118-336D	6-6	120-306D	5-2	196-273K	3-8
1132-05	12-12	118-336D	6-8	120-306D	5-2	196-287H	3-6
1132-08	12-12	118-339D	6-6	122-120D	7-22	196-287H	3-8
1179	12-12	118-340D	6-4	122-164D	7-22	196-288H	3-4
1180	12-12	118-340D	6-6	122-165D	7-22	196-289H	3-2
1182	12-12	118-340D	6-8	122-166D	7-22	196-291H	13-2
1211	12-12	118-341D	6-10	122-167D	7-22	196-292H	3-6
1217	12-12	118-341D	6-12	122-167D	7-22	196-292H	3-6
1218	12-12	118-341D	6-14	122-168D	7-18	196-293H	3-6
1285	9-22	118-341D	6-4	122-169D	7-4	196-293H	3-8
2154	12-12	118-341D	6-6	122-172D	7-10	196-294H	3-6
3089	12-12	118-341D	6-8	122-172D	7-2	196-295H	2-2
5424	9-20	118-346D	6-8	122-173D	7-6	196-296H	2-2
5425	9-20	118-346D	6-4	122-201S	7-22	196-296H	4-8
8103	9-20	118-346D	6-6	122-202S	8-14	196-297H	4-8
63123	7-16	118-346D	6-8	122-202S	8-18	196-297H	4-8
125006	7-16	118-353D	6-12	122-202S	8-2	196-298H	3-4
4100010	11-2	118-353D	6-14	122-202S	8-6	196-299H	4-8
4112302	11-2	118-356D	6-6	122-202S	8-4	196-319H	3-2
4301115	11-2	118-356D	6-10	122-202S	8-6	196-325H	3-8
4411201	11-2	118-356D	6-12	122-231A	7-24	196-328H	3-10
9107083	11-2	118-356D	6-14	122-250H	7-22	196-328H	3-8
9107084	11-2	118-356D	6-6	122-257H	7-12	196-329H	3-6
107-111D	7-4	118-370D	6-12	123-320D	3-10	196-333H	3-10
107-111D	7-8	118-371D	6-6	129BXT800	7-14	196-333H	3-8
107-133S	7-12	118-371D	6-10	129BXT810	7-14	196-333H	4-2
107-138S	7-12	118-371D	6-14	129BXT811	7-14	196-338H	4-8
107-138S	7-4	118-373D	6-6	129BXT811	7-16	196-338H	5-4
1088-210	9-22	118-373D	6-10	129BXT812	7-16	196-339H	4-2
1089-210	9-22	118-375D	6-6	129BXT814	7-16	196-339H	4-8
109-025H	6-2	118-376D	6-6	129BXT819	7-16	196-344H	2-6
109-069D	6-2	118-433D	6-6	136-120D	5-2	196-345H	2-2
109-091D	6-10	118-436D	6-6	136-126D	5-4	196-349H	2-6
109-091D	6-12	118-443D	6-6	136-200D	5-2	196-350H	2-6
109-091D	6-14	118-443H	6-2	136-201D	5-4	196-351H	2-6
109-091D	6-4	118-467D	6-4	136-202D	5-2	196-370H	2-2
109-091D	6-6	118-467D	6-6	149-059D	7-26	196-377H	2-6
109-091D	6-8	118-467D	6-6	149-086D	7-26	196-381H	3-4
113-369H	12-4	118-474H	4-6	149-558D	7-26	196-391H	3-4
113-682D	12-2	118-508D	6-12	149-559D	7-26	196-392H	2-6
113-683D	12-2	118-508D	6-10	149-570D	7-30	196-392H	3-6
113-685D	12-2	118-508D	6-12	150-138D	4-4	196-392H	3-8
113-686D	12-2	118-508D	6-14	150GP022E	7-14	196-392H	3-8
113-687D	12-2	118-508D	6-4	160-018H	3-10	196-393H	2-6
113-687D	12-2	118-508D	6-6	160-018H	3-8	196-393H	3-4
113-715H	12-2	118-508D	6-8	161-231D	3-6	196-393H	3-6
113-716H	12-2	118-508D	6-4	161-231D	3-8	196-393H	3-8
113-717D	12-2	118-623D	6-4	170-033H	2-2	196-394L	3-6
113-717H	12-2	118-624D	6-6	170-034H	2-2	196-395L	3-8
113-722H	12-2	118-625D	6-8	170-058H	2-2	196-396L	3-8
113-725H	12-2	118-626D	6-10	181-064D	3-2	196-397H	3-6
113-779H	12-2	118-627D	6-12	188-001V	7-12	196-398H	3-8
113-780H	12-2	118-628D	6-14	188-001V	7-4	196-399H	3-8
113-789H	12-4	118-629D	6-12	188-001V	7-8	196-430D	9-2
113-790D	12-2	118-629D	6-14	188-001V	7-2	196-581D	5-4
113-790S	12-2	118-629D	6-4	188-008V	7-22	196-602D	7-30
113-792H	12-2	118-629D	6-6	194-070D	2-2	196-652D	2-6
		118-629D	6-8	195-157D	5-4	196-652D	3-6
				196-048H	2-6	196-653D	3-8

## Part Number Index

<u>Part Number</u>	<u>Page</u>	<u>Part Number</u>	<u>Page</u>	<u>Part Number</u>	<u>Page</u>	<u>Part Number</u>	<u>Page</u>
196-654D	3-6	198-137D	8-14	199-050D	8-20	2A0215	9-14
196-654D	3-8	198-137D	8-18	199-050D	8-8	2A0215	9-16
196-766D	2-6	198-137D	8-2	199-065H	8-14	2A0215	9-8
196-767D	3-8	198-137D	8-4	199-065H	8-18	2A0218	9-10
196-768D	3-8	198-137D	8-6	199-066H	8-14	2A0218	9-12
196-769D	3-6	198-183D	7-12	199-066H	8-18	2A0218	9-14
196-769D	3-8	198-201D	7-12	199-088H	8-14	2A0218	9-16
196-770D	3-6	198-202D	7-12	199-088H	8-18	2A0218	9-8
196-770D	3-8	198-239D	7-10	199-088H	8-6	2M1190	9-18
196-773D	5-4	198-239D	7-2	199-089H	8-14	2M4532	12-10
196-774D	2-6	198-240D	7-10	199-089H	8-18	2S7584	9-12
196-774D	3-6	198-241D	7-12	199-089H	8-6	2S8522	9-14
196-774D	3-8	198-241D	7-4	1M7016	12-10	2S8522	9-16
196-775D	2-6	198-246D	7-10	1M7028	9-10	2S8694	9-8
196-775D	3-6	198-246D	7-2	1M7028	9-12	2S8698	9-10
196-776D	5-2	198-247D	7-10	1M7028	9-14	313-176D	4-4
196-777D	2-6	198-263D	7-20	1M7028	9-16	313-186D	4-4
196-782D	3-10	198-264D	7-12	1M7028	9-8	3M1108	9-18
196-800D	3-10	198-265D	7-12	200-001D	7-26	3R1510	12-10
196-842D	2-2	198-266D	7-12	200-002S	7-26	3R7512	9-12
196-842D	2-4	198-267D	7-12	200-006D	3-2	3R8512	9-14
196-847D	5-2	198-292D	7-6	200-039V	7-26	3R9512	9-16
196-849D	7-10	198-293D	7-6	202-189D	8-2	3R9612	9-10
196-849D	7-2	198-295D	7-6	202-189D	8-4	3R9612	9-8
196-850D	5-2	198-318D	7-8	204-295D	7-26	402-025S	5-2
196-850D	5-4	198-319D	7-6	206-010D	7-24	402-025S	5-4
196-853D	2-4	198-613H	7-10	206-011D	7-24	402-037D	3-10
196-856D	3-10	198-613H	7-2	206-014S	7-24	402-058D	5-2
196-857D	3-10	198-614H	7-10	248-251D	4-4	402-058D	5-4
196-858D	3-10	198-614H	7-2	249-050S	7-26	404-061D	7-24
196-859D	3-10	198-615H	7-12	249-051H	7-26	404-088H	7-24
196-862D	12-6	198-616H	7-4	298-324S	7-12	404-121S	7-8
196-862D	12-8	198-618H	7-10	298-510H	7-6	404-139D	7-8
196-862D	5-6	198-618H	7-2	298-513H	7-6	404-144D	7-24
196-862D	9-6	198-619H	7-10	298-855H	7-6	404-145D	7-24
196-866D	5-2	198-619H	7-2	298-855H	7-8	404-147D	8-22
196-866D	5-4	198-810H	4-8	298-856H	7-6	404-164D	8-22
196-870D	3-6	198-821H	8-12	298-884H	7-6	404-170H	7-8
196-872D	3-8	198-956K	7-12	2A0006	12-10	405-004D	8-22
196-873D	3-8	198-998S	7-12	2A0012	12-10	405-015H	8-22
196-875D	2-6	198-999S	7-12	2A0012	9-10	405-031D	8-14
196-876D	5-2	199-011D	8-10	2A0012	9-12	405-031D	8-16
196-876D	5-4	199-011D	8-12	2A0012	9-14	405-031D	8-18
196-877D	5-2	199-011D	8-16	2A0012	9-16	405-031D	8-20
196-877D	5-4	199-011D	8-20	2A0012	9-8	405-031D	8-22
196-886D	4-8	199-011D	8-8	2A0014	12-10	405-031D	8-6
196-887D	4-8	199-015D	8-12	2A0014	9-18	405-032D	8-22
196-889D	3-10	199-022H	8-6	2A0018	9-18	405-049D	8-22
196-891D	3-10	199-024H	8-10	2A0019	9-10	4M1102	9-18
196-896D	2-6	199-025H	8-16	2A0019	9-12	4M4108	12-10
196-904D	3-4	199-025H	8-20	2A0019	9-14	4R7112	9-12
196-905D	3-4	199-025H	8-8	2A0019	9-16	4R8108	9-14
196-906D	3-4	199-036D	8-10	2A0019	9-8	4R9108	9-10
196-907D	3-4	199-036D	8-8	2A0024	12-10	4R9108	9-16
196-911D	3-4	199-038H	8-14	2A0025	9-10	4R9108	9-8
197-194D	7-28	199-038H	8-18	2A0025	9-12	502-068D	2-4
197-010D	7-26	199-039H	8-18	2A0025	9-14	502-068D	3-6
197-058D	7-28	199-039H	8-20	2A0025	9-16	5M1103	9-18
197-062D	13-2	199-040H	8-18	2A0025	9-8	5M4132	12-10
197-089D	4-6	199-040H	8-20	2A0130	9-18	5R7324	9-12
197-091D	4-6	199-041S	8-18	2A0132	9-10	5R8124	9-14
197-096D	4-6	199-041S	8-20	2A0132	9-12	5R9124	9-16
197-166H	4-4	199-042D	8-2	2A0132	9-14	5R9128	9-8
197-168H	4-2	199-042D	8-4	2A0132	9-16	5R9132	9-10
197-168H	4-4	199-042S	8-18	2A0132	9-8	6M1108	9-18
197-289D	4-2	199-042S	8-20	2A0202	9-18	6R1144	12-10
197-290D	4-2	199-050D	8-10	2A0215	9-10	6R7191	9-12
198-057S	7-12	199-050D	8-16	2A0215	9-12	6R8171	9-14

## Part Number Index

<u>Part Number</u>	<u>Page</u>	<u>Part Number</u>	<u>Page</u>	<u>Part Number</u>	<u>Page</u>	<u>Part Number</u>	<u>Page</u>
6R9169	9-10	801-035C	5-4	802-034C	4-2	802-196C	4-2
6R9171	9-16	801-035C	6-10	802-034C	4-8	802-196C	6-2
6R9171	9-8	801-035C	6-12	802-034C	5-2	802-196C	8-12
7M1302	9-18	801-035C	6-14	802-034C	5-4	802-203C	4-2
7M4332	12-10	801-035C	6-4	802-044C	12-2	802-203C	4-4
7M7324	9-12	801-035C	6-6	802-050C	3-10	802-203C	5-6
7M8324	9-14	801-035C	6-8	802-053C	2-4	802-214C	7-26
7M8324	9-16	801-057C	6-10	802-055C	3-8	802-216C	3-4
7M8328	9-8	801-057C	6-12	802-055C	8-22	802-228C	7-12
7M8332	9-10	801-057C	6-14	802-057C	13-2	802-228C	7-4
800-130C	7-28	801-057C	6-4	802-058C	5-2	802-228C	7-8
800-156C	7-28	801-057C	6-6	802-058C	8-12	802-252C	7-16
800-157C	7-28	801-057C	6-8	802-058C	8-2	802-257C	5-6
800-158C	7-28	801-078C	7-22	802-058C	8-4	802-258C	8-22
800-001C	12-2	801-078C	7-24	802-059C	8-14	802-273C	2-6
800-001C	2-6	801-084C	7-22	802-059C	8-16	802-274C	7-10
800-001C	3-2	801-084C	7-24	802-059C	8-18	802-274C	7-2
800-001C	3-4	801-096C	4-6	802-059C	8-20	802-275C	3-10
800-001C	3-6	801-141C	7-22	802-059C	8-6	802-281C	3-10
800-001C	3-8	801-151C	4-4	802-060C	8-22	802-282C	5-2
800-001C	5-4	801-154C	4-6	802-062C	12-2	802-282C	5-4
800-001C	7-12	802-004C	7-28	802-062C	3-8	802-300C	3-6
800-001C	7-26	802-004C	4-4	802-064C	3-6	802-300C	3-8
800-003C	6-2	802-004C	6-10	802-067C	3-6	802-317C	2-2
800-004C	6-10	802-004C	6-12	802-067C	3-8	802-332C	7-26
800-004C	6-12	802-004C	6-14	802-069C	3-2	802-352C	7-12
800-004C	6-14	802-004C	6-4	802-069C	3-6	802-381C	12-2
800-004C	6-4	802-004C	6-6	802-069C	3-8	802-382C	2-6
800-004C	6-6	802-004C	6-8	802-070C	3-8	802-387C	4-2
800-004C	6-8	802-005C	8-10	802-073C	2-6	802-387C	4-4
800-009C	6-10	802-005C	8-14	802-079C	4-8	802-388C	4-4
800-009C	6-12	802-005C	8-16	802-079C	7-18	802-388C	4-8
800-009C	6-14	802-005C	8-22	802-079C	7-4	802-411C	4-4
800-009C	6-4	802-005C	8-6	802-079C	7-6	802-411C	7-14
800-009C	6-6	802-005C	8-8	802-082C	7-26	802-419C	7-10
800-009C	6-8	802-007C	6-2	802-083C	4-2	802-419C	7-2
800-054C	8-18	802-010C	2-4	802-085C	5-2	802-421C	8-14
800-054C	8-20	802-010C	3-6	802-085C	5-4	802-421C	8-18
800-064C	2-4	802-014C	12-8	802-091C	8-22	802-421C	8-2
800-073C	2-6	802-014C	6-10	802-092C	7-12	802-421C	8-4
800-093C	7-22	802-014C	6-12	802-092C	7-24	802-421C	8-6
800-101C	4-6	802-014C	6-14	802-092C	7-8	802-425C	4-4
800-107C	6-10	802-014C	6-2	802-094C	2-4	802-430C	7-12
800-107C	6-12	802-014C	6-4	802-095C	2-6	802-463C	3-4
800-107C	6-14	802-014C	6-6	802-095C	3-6	802-546C	3-10
800-107C	6-4	802-014C	6-8	802-096C	3-8	802-589C	12-2
800-107C	6-6	802-017C	12-6	802-099C	12-2	802-617C	7-14
800-107C	6-8	802-017C	3-10	802-100C	12-2	802-617C	7-16
800-112C	4-4	802-017C	5-6	802-114C	12-2	802-617C	8-2
800-112C	7-8	802-017C	9-6	802-115C	3-4	802-618C	8-4
800-118C	7-12	802-022C	7-22	802-126C	7-30	802-622C	3-10
800-121C	4-4	802-022C	7-30	802-128C	3-6	802-672C	5-2
800-144C	3-4	802-023C	9-10	802-128C	3-8	802-672C	5-2
800-148C	4-4	802-023C	9-12	802-138C	12-2	802-672C	5-4
800-164C	7-26	802-023C	9-14	802-143C	3-10	802-672C	5-4
800-166C	7-24	802-023C	9-16	802-146C	2-6	802-674C	3-10
800-177C	7-26	802-023C	9-8	802-149C	7-20	802-694C	7-12
800-211C	7-26	802-024C	12-6	802-159C	2-6	802-705C	7-20
800-211C	7-28	802-024C	5-6	802-159C	4-8	802-717C	2-4
800-213C	7-12	802-024C	9-6	802-159C	5-2	802-718C	7-26
800-213C	7-4	802-029C	8-10	802-159C	5-4	802-728C	3-6
800-213C	7-8	802-029C	8-12	802-160C	8-10	802-728C	3-8
800-311C	5-4	802-029C	8-16	802-160C	8-8	802-728C	3-8
801-001C	6-2	802-029C	8-20	802-166C	2-2	802-745C	7-6
801-002C	7-10	802-029C	8-8	802-172C	7-16	802-775C	5-2
801-002C	7-2	802-032C	12-2	802-178C	7-30	802-775C	5-4
801-005C	3-4	802-034C	3-6	802-179C	7-12	803-006C	7-28
801-035C	5-2	802-034C	3-8	802-182C	3-2	803-001C	3-4



## Part Number Index

<u>Part Number</u>	<u>Page</u>	<u>Part Number</u>	<u>Page</u>	<u>Part Number</u>	<u>Page</u>	<u>Part Number</u>	<u>Page</u>
803-001C	4-6	803-030C	3-8	803-200C	12-2	804-013C	7-28
803-006C	5-2	803-031C	2-6	803-209C	4-4	804-013C	7-30
803-006C	5-4	803-031C	3-6	803-209C	4-8	804-013C	7-4
803-007C	7-10	803-031C	3-8	803-209C	7-20	804-013C	9-6
803-007C	7-2	803-034C	2-2	803-219C	3-2	804-014C	7-12
803-008C	2-6	803-034C	2-6	803-219C	3-8	804-014C	8-10
803-008C	3-4	803-035C	6-2	803-229C	8-10	804-014C	8-12
803-008C	4-8	803-037C	5-6	803-229C	8-12	804-014C	8-16
803-008C	5-2	803-043C	7-12	803-229C	8-16	804-014C	8-20
803-008C	5-4	803-043C	7-16	803-229C	8-20	804-014C	8-8
803-008C	6-2	803-043C	7-24	803-229C	8-8	804-015C	12-2
803-011C	12-2	803-043C	7-8	803-235C	2-6	804-015C	3-4
803-011C	4-4	803-048C	2-6	803-235C	3-10	804-015C	3-6
803-013C	12-2	803-048C	3-6	803-235C	4-6	804-015C	3-8
803-013C	2-6	803-048C	3-8	803-263C	3-10	804-015C	4-2
803-013C	7-14	803-049C	3-10	803-263C	8-22	804-015C	5-2
803-014C	12-6	803-049C	7-26	803-293C	4-4	804-015C	5-4
803-014C	2-6	803-049C	7-30	803-307C	7-12	804-015C	7-26
803-014C	3-10	803-053C	12-4	804-006C	7-28	804-015C	8-22
803-014C	4-8	803-063C	3-6	804-007C	7-28	804-016C	2-6
803-014C	5-6	803-063C	3-8	804-021C	9-18	804-017C	12-2
803-014C	7-14	803-073C	3-6	804-001C	6-2	804-017C	5-4
803-014C	7-16	803-073C	3-8	804-002C	6-2	804-019C	13-2
803-014C	7-18	803-078C	4-8	804-003C	6-2	804-019C	3-10
803-014C	7-22	803-079C	2-6	804-004C	4-6	804-021C	2-6
803-014C	7-28	803-079C	3-6	804-006C	5-2	804-021C	3-8
803-014C	7-30	803-079C	3-8	804-006C	5-4	804-021C	6-2
803-014C	7-4	803-081C	2-2	804-009C	2-4	804-022C	13-2
803-014C	9-6	803-081C	2-4	804-009C	2-6	804-022C	3-10
803-016C	6-2	803-088C	4-2	804-009C	3-4	804-022C	3-4
803-019C	12-2	803-088C	5-6	804-009C	3-6	804-022C	3-8
803-019C	4-8	803-088C	6-2	804-009C	4-8	804-022C	5-2
803-020C	12-2	803-088C	8-10	804-009C	5-2	804-022C	7-10
803-020C	3-4	803-088C	8-12	804-009C	5-4	804-022C	7-12
803-020C	3-6	803-088C	8-14	804-009C	6-2	804-022C	7-2
803-020C	3-8	803-088C	8-16	804-009C	7-20	804-022C	7-26
803-020C	4-2	803-088C	8-2	804-011C	12-6	804-022C	7-6
803-020C	5-2	803-088C	8-22	804-011C	3-10	804-022C	8-10
803-020C	5-4	803-088C	8-4	804-011C	5-6	804-022C	8-12
803-020C	7-26	803-088C	8-6	804-011C	7-22	804-022C	8-14
803-021C	13-2	803-088C	8-8	804-011C	7-30	804-022C	8-16
803-021C	3-10	803-148C	3-8	804-011C	9-6	804-022C	8-16
803-021C	3-4	803-159C	12-4	804-012C	4-8	804-022C	8-18
803-021C	3-8	803-169C	4-2	804-012C	6-10	804-022C	8-2
803-021C	5-2	803-169C	4-4	804-012C	6-12	804-022C	8-20
803-021C	7-10	803-169C	7-10	804-012C	6-14	804-022C	8-4
803-021C	7-2	803-169C	7-2	804-012C	6-2	804-022C	8-6
803-021C	7-26	803-169C	7-6	804-012C	6-4	804-022C	8-8
803-021C	7-6	803-169C	8-14	804-012C	6-6	804-023C	12-2
803-021C	8-10	803-169C	8-18	804-012C	6-8	804-023C	13-2
803-021C	8-16	803-169C	8-2	804-012C	7-12	804-023C	3-6
803-021C	8-20	803-169C	8-4	804-013C	12-6	804-024C	2-6
803-021C	8-8	803-169C	8-6	804-013C	12-8	804-025C	12-2
803-024C	12-2	803-177C	3-4	804-013C	2-6	804-025C	12-4
803-024C	12-2	803-177C	5-2	804-013C	3-10	804-027C	2-6
803-024C	3-10	803-177C	5-4	804-013C	4-8	804-027C	3-6
803-025C	3-2	803-177C	5-6	804-013C	5-6	804-027C	3-8
803-025C	3-6	803-181C	3-8	804-013C	6-10	804-028C	12-2
803-025C	3-8	803-194C	6-10	804-013C	6-12	804-028C	2-6
803-026C	2-6	803-194C	6-12	804-013C	6-14	804-028C	3-4
803-026C	3-6	803-194C	6-14	804-013C	6-2	804-028C	3-6
803-026C	3-8	803-194C	6-4	804-013C	6-4	804-028C	3-8
803-027C	12-2	803-194C	6-6	804-013C	6-6	804-029C	3-6
803-027C	13-2	803-194C	6-8	804-013C	6-8	804-029C	3-8
803-027C	2-6	803-196C	2-2	804-013C	7-14	804-030C	2-2
803-027C	3-6	803-196C	2-4	804-013C	7-16	804-031C	6-10
803-029C	3-2	803-199C	4-2	804-013C	7-18	804-031C	6-12
803-029C	7-26	803-199C	4-4	804-013C	7-22	804-031C	6-14

## Part Number Index

<u>Part Number</u>	<u>Page</u>	<u>Part Number</u>	<u>Page</u>	<u>Part Number</u>	<u>Page</u>	<u>Part Number</u>	<u>Page</u>
804-031C	6-4	805-067C	8-16	807-076C	7-6	810-508C	9-8
804-031C	6-6	805-067C	8-8	807-088C	8-12	810-509C	9-20
804-031C	6-8	805-069C	2-2	807-088C	8-16	811-040C	9-2
804-035C	2-2	805-069C	7-22	807-088C	8-20	811-044C	12-6
804-035C	2-6	805-085C	2-6	807-088C	8-8	811-063C	5-6
804-035C	3-6	805-085C	3-6	807-101C	7-22	811-063C	9-2
804-035C	3-8	805-085C	3-8	807-106C	4-4	811-063C	9-4
804-036C	4-4	805-105C	2-6	807-106C	7-24	811-063C	9-6
804-036C	6-2	805-105C	3-4	807-106C	7-8	811-065C	12-2
804-037C	3-10	805-105C	3-6	807-106C	8-14	811-065C	12-6
804-037C	7-26	805-105C	3-8	807-106C	8-18	811-065C	12-8
804-037C	7-30	805-109C	2-6	807-106C	8-2	811-065C	9-6
804-040C	6-2	805-109C	3-8	807-106C	8-4	811-077C	9-2
804-040C	7-12	805-127C	4-8	807-106C	8-6	811-078C	9-2
804-040C	7-4	805-131C	12-2	807-113C	3-10	811-088C	5-6
804-040C	7-8	805-141C	2-6	807-113C	8-22	811-088C	9-2
804-041C	8-10	805-143C	4-8	807-116C	7-10	811-088C	9-6
804-041C	8-12	805-152C	3-2	807-116C	7-2	811-090C	9-2
804-041C	8-16	805-152C	3-6	807-125C	7-24	811-090C	9-4
804-041C	8-20	805-154C	7-8	807-128C	2-6	811-150C	9-2
804-041C	8-8	805-154C	8-14	807-143C	3-6	811-151C	12-6
804-055C	7-26	805-154C	8-18	807-143C	3-8	811-169C	12-8
804-061C	5-2	805-154C	8-2	807-172C	7-12	811-169C	9-6
804-061C	5-4	805-154C	8-4	807-184C	8-10	811-171C	12-6
804-075C	4-6	805-154C	8-6	807-188C	7-22	811-192C	5-6
804-075C	5-2	805-166C	8-12	807-212C	3-8	811-199C	12-8
804-075C	5-4	805-180C	5-2	808-259C	5-2	811-205C	5-6
804-078C	7-22	805-180C	5-4	808-259C	5-4	811-212C	9-6
804-078C	7-24	805-183C	8-22	808-311C	5-2	811-217C	12-6
804-102C	3-6	805-186C	7-8	808-313C	5-2	811-217C	12-8
804-102C	3-8	805-186C	8-14	808-313C	5-4	811-230C	5-6
804-112C	7-24	805-186C	8-18	808-344C	5-2	811-230C	9-6
804-113C	5-2	805-186C	8-2	808-357C	5-2	811-249C	5-6
804-113C	5-2	805-186C	8-4	808-357C	5-4	811-249C	9-6
804-113C	5-4	805-186C	8-6	810-249C	9-18	811-268C	9-2
804-156C	7-26	805-190C	7-8	810-274C	9-22	811-281C	12-6
804-165C	7-26	805-192C	2-6	810-058C	12-6	811-382C	9-2
804-195C	7-12	805-230C	3-8	810-158C	9-12	811-394C	9-2
804-197C	3-6	805-249C	3-4	810-160C	9-14	811-411C	9-2
804-197C	3-8	805-250C	7-8	810-201C	2-6	811-439C	9-6
805-016C	3-2	805-280C	7-8	810-201C	3-10	811-485C	9-2
805-016C	6-2	805-295C	8-10	810-201C	3-8	811-485C	9-2
805-017C	7-26	805-296C	7-12	810-201C	9-6	811-564C	5-6
805-019C	12-4	805-299C	7-4	810-274C	12-6	811-581C	9-6
805-019C	2-6	805-304C	8-16	810-274C	5-6	811-586C	12-6
805-019C	8-22	805-304C	8-20	810-274C	9-6	811-586C	12-8
805-020C	7-22	805-304C	8-8	810-422C	12-8	811-690C	9-2
805-023C	6-10	805-331C	7-26	810-423C	12-2	811-725C	9-2
805-023C	6-12	805-334C	3-8	810-423C	12-6	811-781C	5-6
805-023C	6-14	805-335C	7-12	810-423C	12-8	811-781C	9-6
805-023C	6-4	805-335C	7-4	810-430C	12-10	811-785C	9-2
805-023C	6-6	806-010C	12-2	810-491C	2-6	811-803C	12-8
805-023C	6-8	806-019C	3-10	810-491C	3-8	811-804C	12-8
805-028C	2-6	806-019C	3-4	810-491C	9-6	811-805C	9-2
805-032C	4-8	806-039C	2-2	810-496C	3-4	811-805C	9-4
805-033C	7-6	806-039C	2-4	810-496C	9-2	811-806C	9-2
805-037C	3-10	806-053C	7-10	810-497C	3-8	811-807C	9-4
805-045C	7-24	806-053C	7-2	810-497C	9-2	811-808C	9-2
805-058C	12-2	806-053C	7-6	810-498C	3-6	811-808C	9-4
805-063C	7-12	806-060C	3-4	810-498C	9-4	811-810C	9-2
805-063C	7-4	806-106C	7-26	810-499C	2-6	811-811C	9-2
805-063C	7-8	806-111C	7-28	810-499C	9-2	811-813C	9-2
805-063C	8-20	806-166C	4-8	810-500C	3-8	811-814C	9-2
805-067C	4-6	806-172C	12-2	810-500C	9-2	811-814C	9-4
805-067C	5-4	806-172C	13-2	810-503C	3-4	811-815C	9-2
805-067C	7-12	806-194C	2-6	810-503C	9-2	811-822C	12-6
805-067C	8-10	807-007C	2-6	810-507C	9-16	811-876C	9-6
805-067C	8-12	807-076C	7-10	810-508C	9-10	812-302C	7-12

## Part Number Index

<u>Part Number</u>	<u>Page</u>	<u>Part Number</u>	<u>Page</u>	<u>Part Number</u>	<u>Page</u>	<u>Part Number</u>	<u>Page</u>
812-309C	7-12	817-070C	6-4	817-349C	7-12	822-195C	5-2
812-309C	7-4	817-070C	6-6	817-349C	7-4	823-198C	3-4
814-034C	8-10	817-070C	6-8	817-350C	4-6	823-231C	5-2
814-034C	8-22	817-071C	6-10	817-406C	5-2	823-231C	5-4
814-034C	8-6	817-071C	6-12	817-406C	5-4	833-179C	5-8
814-034C	8-8	817-071C	6-14	817-455C	3-4	833-251C	5-2
814-081C	7-12	817-071C	6-4	817-456C	5-2	838-102C	10-2
814-082C	7-12	817-071C	6-6	817-456C	5-4	838-153C	10-2
814-083C	7-12	817-071C	6-8	817-476C	3-4	838-160C	10-2
814-085C	8-12	817-073C	6-10	817-513C	7-26	838-161C	10-2
814-157C	8-2	817-073C	6-12	817-516C	4-4	838-169C	10-2
814-158C	8-4	817-073C	6-14	817-520C	2-2	838-228C	10-2
814-159C	8-2	817-073C	6-4	817-530C	7-12	838-237C	10-2
814-160C	8-4	817-073C	6-6	817-530C	7-4	838-265C	10-2
814-174C	8-10	817-073C	6-8	817-542C	2-4	838-266C	10-2
814-174C	8-22	817-074C	6-10	817-606C	7-8	838-267C	10-2
814-174C	8-6	817-074C	6-12	818-043C	10-2	838-538C	10-2
814-174C	8-8	817-074C	6-14	818-045C	10-2	838-539C	10-2
814-192C	8-12	817-074C	6-4	818-188C	10-2	839-956C	5-2
814-194C	8-12	817-074C	6-6	818-257C	10-2	839-956C	5-4
814-206C	3-2	817-074C	6-8	818-257C	10-2	841-056C	5-6
814-208C	3-2	817-075C	6-10	818-258C	10-2	841-056C	9-6
814-210C	3-2	817-075C	6-12	818-339C	10-2	841-057C	9-2
814-238C	8-14	817-075C	6-14	818-398C	10-2	890-011C	2-6
814-238C	8-16	817-075C	6-4	818-426C	10-2	890-011C	3-4
814-244C	8-14	817-075C	6-6	818-557C	10-2	890-011C	3-6
814-244C	8-16	817-075C	6-8	818-579C	12-2	890-011C	3-8
815-001C	12-4	817-083C	7-12	818-580C	12-2	890-032C	3-2
815-099C	3-2	817-084C	7-10	818-587C	10-2	890-122C	3-4
815-101C	3-2	817-084C	7-2	818-590C	10-2	890-190C	6-10
815-103C	3-2	817-084C	7-6	819-109C	6-2	890-190C	6-12
815-103C	3-6	817-084C	8-14	820-018C	7-26	890-190C	6-14
815-103C	3-8	817-084C	8-18	820-082C	7-26	890-190C	6-4
816-009C	7-26	817-084C	8-2	820-094C	12-4	890-190C	6-6
816-014C	12-4	817-084C	8-4	820-114C	7-30	890-190C	6-8
816-019C	3-2	817-084C	8-6	820-116C	7-26	890-193C	3-6
816-037C	6-10	817-084C	8-6	820-156C	7-26	890-193C	3-8
816-037C	6-12	817-086C	4-6	820-256C	7-12	890-193C	4-4
816-037C	6-14	817-087C	6-2	820-256C	7-4	890-221C	2-2
816-037C	6-4	817-134C	7-22	820-287C	7-8	890-246C	4-6
816-037C	6-6	817-134C	7-24	822-008C	6-2	890-305C	4-4
816-037C	6-8	817-202C	4-6	822-020C	7-26	890-311C	4-4
816-037C	7-10	817-273C	5-4	822-021C	7-26	890-312C	4-4
816-107C	5-4	817-296C	8-2	822-030C	12-4	890-313C	6-10
816-170C	12-2	817-297C	8-4	822-036C	3-2	890-350C	6-12
816-173C	7-22	817-328C	7-8	822-037C	3-2	890-350C	6-14
816-173C	7-24	817-328C	8-14	822-038C	3-2	890-350C	6-4
816-302C	7-12	817-328C	8-18	822-039C	3-2	890-350C	6-6
816-302C	7-4	817-328C	8-2	822-080C	12-4	890-350C	6-8
816-414C	7-12	817-328C	8-4	822-103C	6-10	890-350C	6-8
817-255C	9-22	817-328C	8-6	822-103C	6-12	890-357C	7-18
817-042C	4-4	817-329C	6-10	822-103C	6-14	890-390C	4-4
817-068C	6-10	817-329C	6-12	822-103C	6-4	890-398C	2-2
817-068C	6-12	817-329C	6-14	822-103C	6-6	890-466C	7-12
817-068C	6-14	817-329C	6-4	822-103C	6-8	890-466C	7-4
817-068C	6-4	817-329C	6-6	822-119C	5-4	890-466C	7-8
817-068C	6-6	817-329C	6-8	822-170C	8-10	890-524C	8-10
817-068C	6-8	817-330C	8-10	822-170C	8-12	890-524C	8-12
817-069C	6-10	817-330C	8-14	822-170C	8-14	890-524C	8-16
817-069C	6-12	817-330C	8-16	822-170C	8-16	890-524C	8-20
817-069C	6-14	817-330C	8-22	822-170C	8-18	890-524C	8-8
817-069C	6-4	817-330C	8-6	822-170C	8-18	890-598C	8-10
817-069C	6-6	817-330C	8-8	822-170C	8-2	890-598C	8-12
817-069C	6-8	817-347C	7-8	822-170C	8-20	890-598C	8-16
817-070C	6-10	817-347C	8-14	822-170C	8-22	890-598C	8-20
817-070C	6-12	817-347C	8-18	822-170C	8-4	890-598C	8-8
817-070C	6-14	817-347C	8-2	822-170C	8-6	890-600C	4-4
		817-347C	8-4	822-175C	5-2	890-614C	12-4
		817-347C	8-6	822-175C	5-4	890-620C	9-10

---

## Part Number Index

<u>Part Number</u>	<u>Page</u>	<u>Part Number</u>	<u>Page</u>	<u>Part Number</u>	<u>Page</u>	<u>Part Number</u>	<u>Page</u>
890-620C	..... 9-12						
890-620C	..... 9-14						
890-620C	..... 9-16						
890-620C	..... 9-8						
890-666C	..... 3-6						
890-666C	..... 3-8						
890-800C	..... 2-6						
890-800C	..... 3-6						
890-840C	..... 7-16						
900TUBE BL	..... 7-14						
900TUBE SP	..... 7-16						
990-109R	..... 7-28						
990-223R	..... 9-2						
AD21010	..... 7-4						
AD21011	..... 7-4						
AD21012	..... 7-4						
AD21013	..... 7-4						
AD21014	..... 7-4						
B0-47	..... 12-4						
VER-18360	..... 5-6						
VER-18375	..... 5-6						
VER-18375	..... 5-8						
VER-18382	..... 5-6						
VER-18382	..... 5-8						
VER-18548	..... 5-6						
VER-18574	..... 5-6						
VER-19516	..... 5-8						
VER-19554	..... 5-6						
VER-19729	..... 5-8						
VER-19798	..... 5-6						
VER-19799	..... 5-6						
VER-19800	..... 5-6						
VER-19856	..... 5-6						
VER-19857	..... 5-6						
VER-20465	..... 5-6						
VER-20466	..... 5-6						
VER-21463	..... 5-8						
VER-21475	..... 5-8						
VER-21567	..... 5-8						
VER-21568	..... 5-8						
VER-25390	..... 5-6						
VER-25390	..... 9-6						
VER-2584	..... 5-6						
VER-4416	..... 5-6						
VER-5184	..... 5-6						
VER-5211	..... 5-6						
VER-9679	..... 5-6						

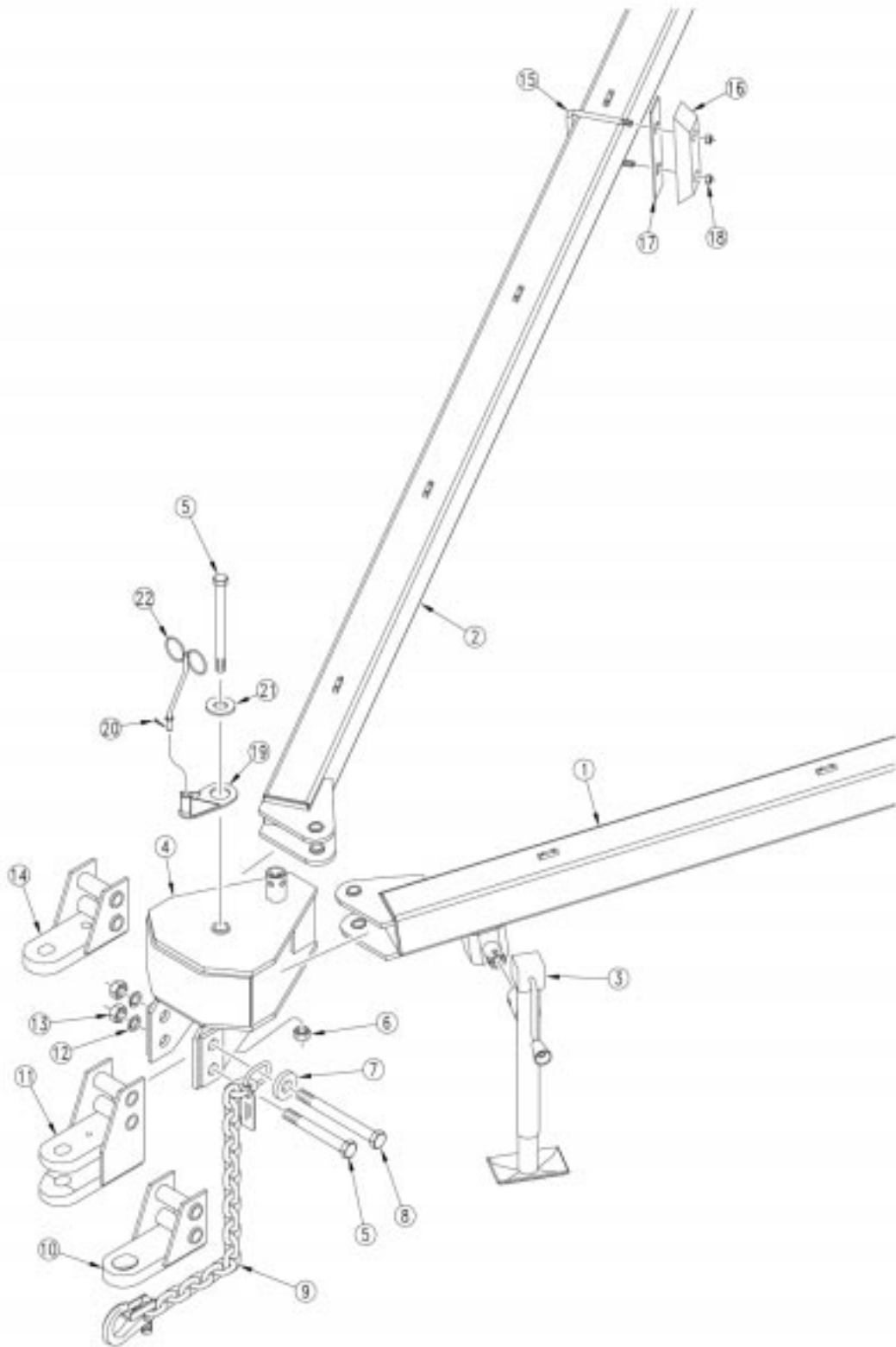
---

## Part Number Index

<u>Part Number</u>	<u>Page</u>	<u>Part Number</u>	<u>Page</u>	<u>Part Number</u>	<u>Page</u>	<u>Part Number</u>	<u>Page</u>
--------------------	-------------	--------------------	-------------	--------------------	-------------	--------------------	-------------

## Hitch To Tongue

---



## Hitch To Tongue

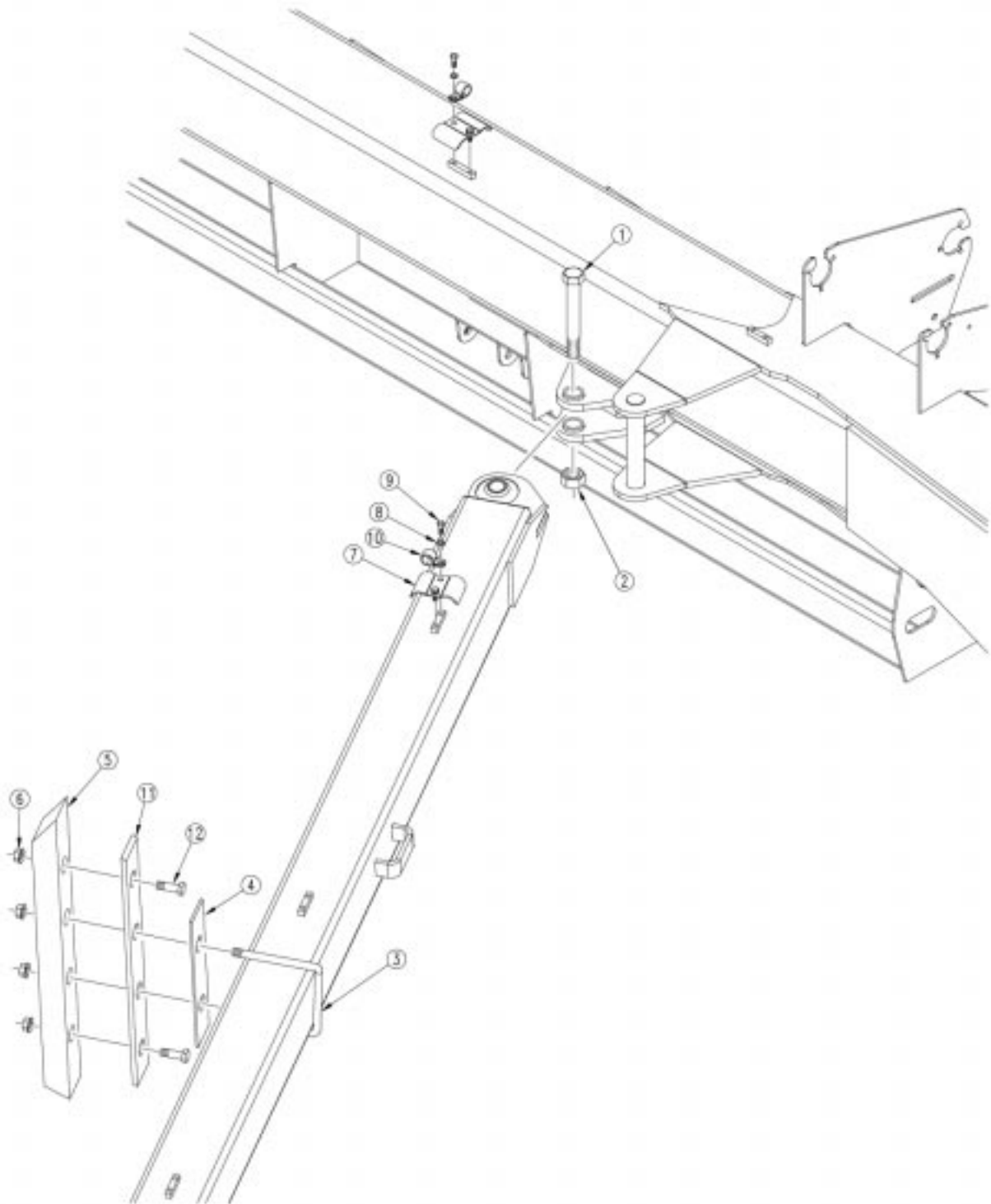
**2**

Ref.	Part No.	Part Description	Comments
1.	196-419H	40P TONGUE LH PULLBAR WLDMT	April 05+
	196-295H	40P TONGUE LH PULLBAR WLDMT	March 05-
2.	196-417H	40P TONGUE RH PULLBAR WLDMT	April 05+
	196-296H	40P TONGUE RH PULLBAR WLDMT	March 05-
3.	890-246C	SCREW JACK 5000# 15-30 SD-WND	
4.	196-420H	HITCH PIVOT MOUNT WLDMT	April 05+
	196-345H	HITCH PIVOT MOUNT WLDMT	March 05-
5.	802-166C	HHCS 1 1/4-7X9 1/2 GR5 SPTH	
6.	803-081C	NUT HEX 1 1/4-7 NYLON INSERT	
7.	194-070D	SAFETY CHAIN WASHER	
8.	802-317C	HHCS 1 1/4-7X11 GR5 SPTH	
9.	890-398C	SAFETY CHAIN 40000 LB	
10.	170-033H	SINGLE HITCH STRAP-LARGE	
11.	170-058H	FOLDING DRILL CLEVIS HITCH	
12.	804-030C	WASHER LOCK 1 1/4 SPRING PLT	
13.	803-034C	NUT HEX 1 1/4-7 PLT	
14.	170-034H	SINGLE HITCH STRAP-SMALL	
15.	806-039C	U-BOLT 5/8-11 X 6 1/32 X 7 3/4	
16.	817-520C	TONGUE SPACER SKID BLOCK	
17.	196-842D	SLIDER BLOCK ADJUST SHIM	
18.	803-196C	NUT HEX FLANGE 5/8-11 PLT	
19.	196-370H	HOSE POST BASE, 40P	
20.	805-069C	PIN COTTER 3/16 X 1	
21.	804-035C	WASHER FLAT 1 1/4 USS PLT	
22.	196-166H	SWIVEL HOSE POST	

**Legend:** ● = 1st revision; ● = 2nd revision; ● = 3rd revision; ● = use up existing stock; ⊗ = not interchangeable; ⊗ ① ● = for example: revision 2 is not interchangeable w/revision 1

## Tongue To Wings

---



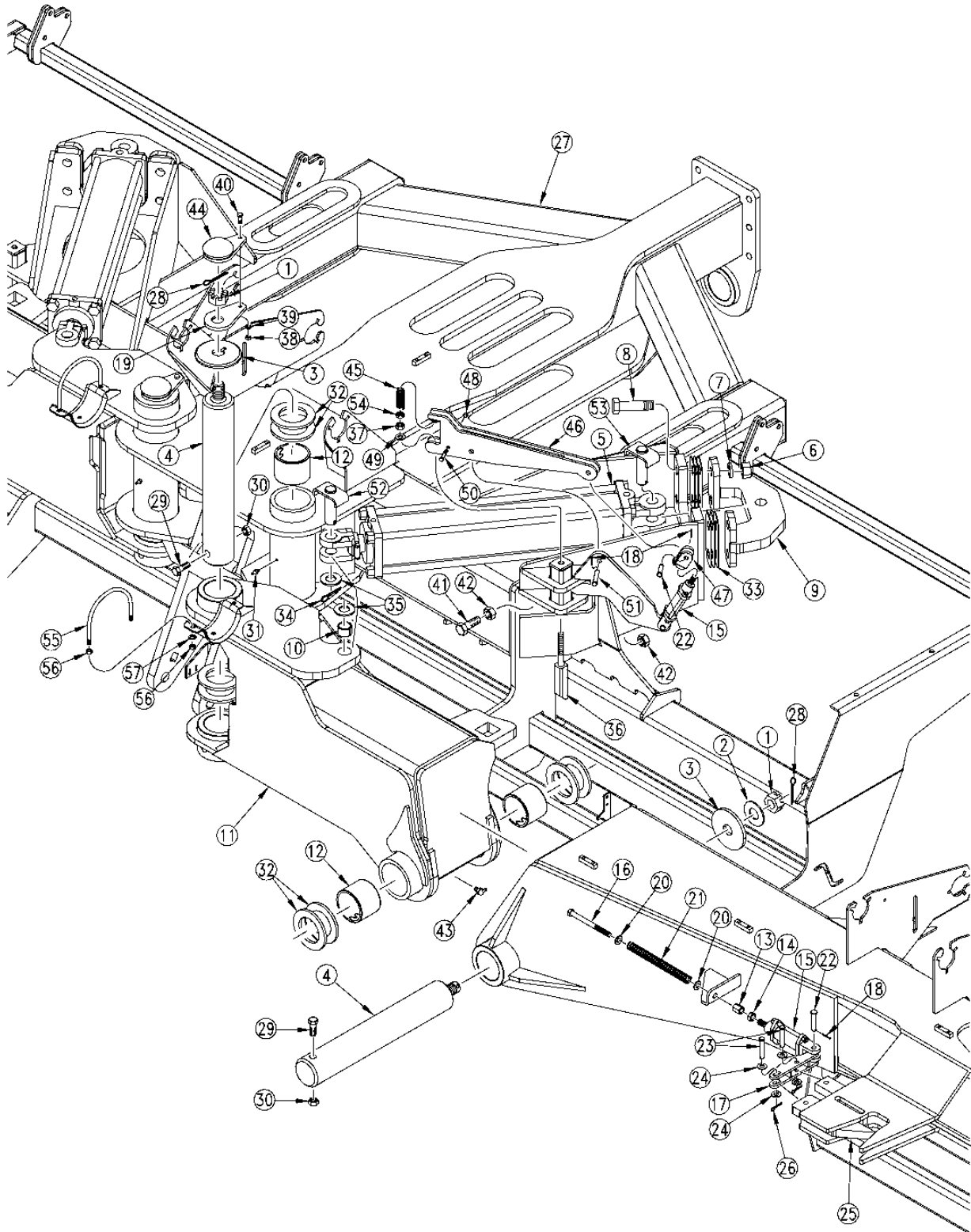


## Tongue To Wings

Ref.	Part No.	Part Description	Comments
1.	802-717C	HHCS 1 1/4-7X 6 1/2 GR5 PLT	
2.	803-081C	NUT HEX 1 1/4-7 NYLON INSERT	
3.	806-039C	U-BOLT 5/8-11 X 6 1/32 X 7 3/4	
4.	196-842D	SLIDER BLOCK ADJUST SHIM	
5.	817-542C	OUTSIDE TONGUE SKID BLOCK	
6.	803-196C	NUT HEX FLANGE 5/8-11 PLT	
7.	502-068D	HYD HOSE CLAMP BRACKET	
8.	804-009C	WASHER LOCK SPRING 5/16 PLT	
9.	802-010C	HHCS 5/16-18X1 1/4 GR5	Shown.
	802-094C	HFSS 5/16-18X1 3/4 GR5	Used on clamp with larger hoses.
10.	800-064C	HOSE CLIP 13/16 ID	
11.	196-853D	3N-40 TONGUE BLOCK SUPT BAR	
12.	802-053C	HHCS 5/8-11X1 3/4 GR5	

**Legend:** ● = 1st revision; ● = 2nd revision; ● = 3rd revision; ● = use up existing stock; ⊗ = not interchangeable; ⊗ ① ● = for example: revision 2 is not interchangeable w/revision 1

# Wing To Center Frame

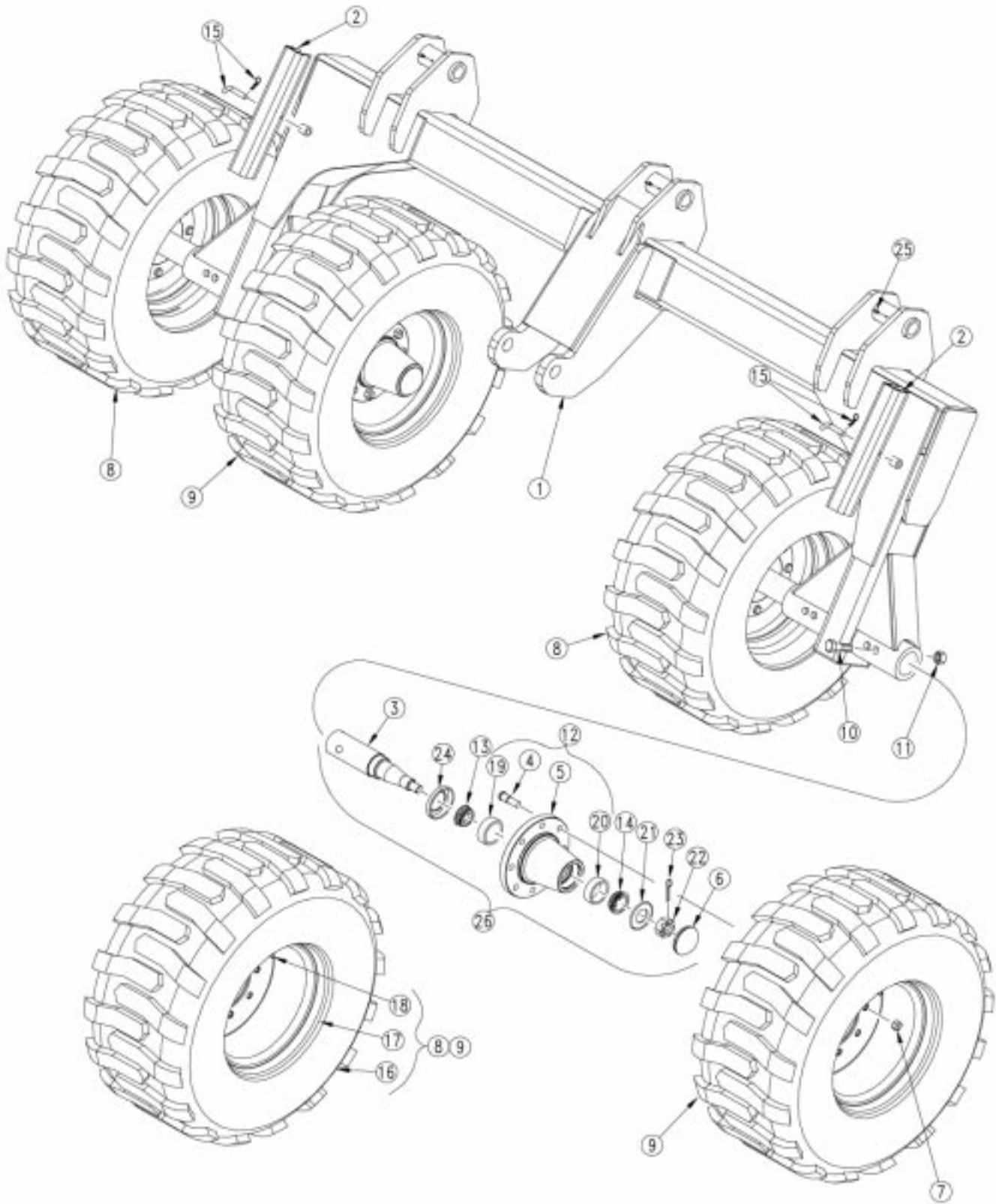


## Wing To Center Frame

Ref.	Part No.	Part Description	Comments
1.	803-079C	NUT HEX SLOTTED 1 1/4 - 7	
2.	804-035C	WASHER FLAT 1 1/4 USS PLT	
3.	196-774D	PIVOT PIN RETAINER WASHER	
4.	196-652D	40P TOOLBAR PIVOT PIN	
5.	810-499C	CYL REP 5X24X2 ROD (TIE)	Includes pins
6.	803-031C	NUT HEX 1-8 PLT	
7.	804-027C	WASHER LOCK SPRING 1 PLT	
8.	802-073C	HHCS 1-8X4 GR5	
9.	196-344H	FOLD CYLINDER BASE LUG WLDMNT	
10.	890-011C	BUSHING SPINDLE 1 1/2X1 1/4X1	
11.	196-349H	40P LH TOOLBAR WELDMENT	Shown
	196-350H	40P RH TOOLBAR WELDMENT	
12.	890-800C	BUSHING 4.0X3.5X3.0 LONG SPLIT	
13.	196-149D	ADAPTOR NUT 3/4-16 X 5/8-11	
14.	803-235C	NUT HEX JAM 3/4-16 UNF PLT	
15.	810-201C	CYL 1.5X2.5X.75 ROD (TIE ROD)	Refer to page 9-17
16.	802-146C	HHCS 5/8-11X7 1/2 GR5	
17.	196-048H	LOCK ARM WELDMENT	
18.	805-109C	PIN COTTER 1/8 X 1 1/4 PLT	
19.	196-875D	WASHER FLAT 1 1/4 HOSE GUARD	
20.	804-021C	WASHER FLAT 5/8 SAE PLT	
21.	807-128C	SPRING COMP .906OD X 9 X .105W	
22.	805-028C	PIN CLEVIS 5/8 X 2.77 USALBE	
23.	805-192C	PIN CLEVIS 1/2 X 2 1/2 PLT	
24.	804-016C	WASHER FLAT 1/2 SAE PLT	
25.	196-766D	TRANSPORT LOCK LATCH BAR	
26.	805-019C	PIN COTTER 5/32 X 1 PLT	
27.	196-351H	40P CENTER FRAME WELDMENT	
28.	805-085C	PIN COTTER 5/16 X 2 1/2	
29.	802-095C	HHCS 3/4-10X7 GR5	
30.	803-026C	NUT LOCK 3/4-10 PLT	
31.	800-001C	GREASE ZERK STRAIGHT 1/4-28	
32.	196-775D	SPACER WASHER	
33.	196-777D	FOLD CYL ADJUSTMENT SHIM	
34.	805-105C	PIN COTTER 1/4 X 2 1/2 PLT	
35.	804-028C	WASHER FLAT 1 USS PLT	
36.	196-896D	TOOLBAR LOCK BAR	
37.	803-027C	NUT HEX 3/4-10 PLT	
38.	803-008C	NUT HEX 5/16-18 PLT	
39.	804-009C	WASHER LOCK SPRING 5/16 PLT	
40.	802-159C	HHCS 5/16-18X1 GR5	
41.	802-273C	HHCS 1 1/4-7X4 1/2 GR5	
42.	803-034C	NUT HEX 1 1/4-7 PLT	
43.	800-073C	GREASE ZERK 1/4-28 X 90-DEG	
44.	196-050H	HOSE GUARD CAP	
45.	807-007C	SPRING LEVER	
46.	196-377H	TOOLB LOCK ARM WELDM	
47.	810-491C	MIDWAY ROD CLEVIS 3/4-16 UNF	
48.	803-013C	NUT LOCK 3/8-16 PLT	
49.	804-024C	WASHER FLAT 3/4 USS PLT	
50.	802-382C	HHCS 3/8-16X2 1/4 GR5	
51.	805-141C	PIN CLEVIS 5/8 X 2 1/2 PLT	
52.	196-393H	CYL PIN NR 1.25X3.03USBX2.63CH	
53.	196-392H	CYL PIN NR 1.25X3.63USBX3.13CH	
54.	803-048C	NUT HEX JAM 3/4-10 PLT	
55.	806-194C	U-BOLT 3/8-16X 6.13 X 6.25 RND	
56.	803-014C	NUT HEX 3/8-16 PLT	
57.	804-013C	WASHER LOCK SPRING 3/8 PLT	

**Legend:** ● = 1st revision; ● = 2nd revision; ● = 3rd revision; ● = use up existing stock; ⊗ = not interchangeable; ⊗ ⊕ ● = for example: revision 2 is not interchangeable w/revision 1

# Rockshaft



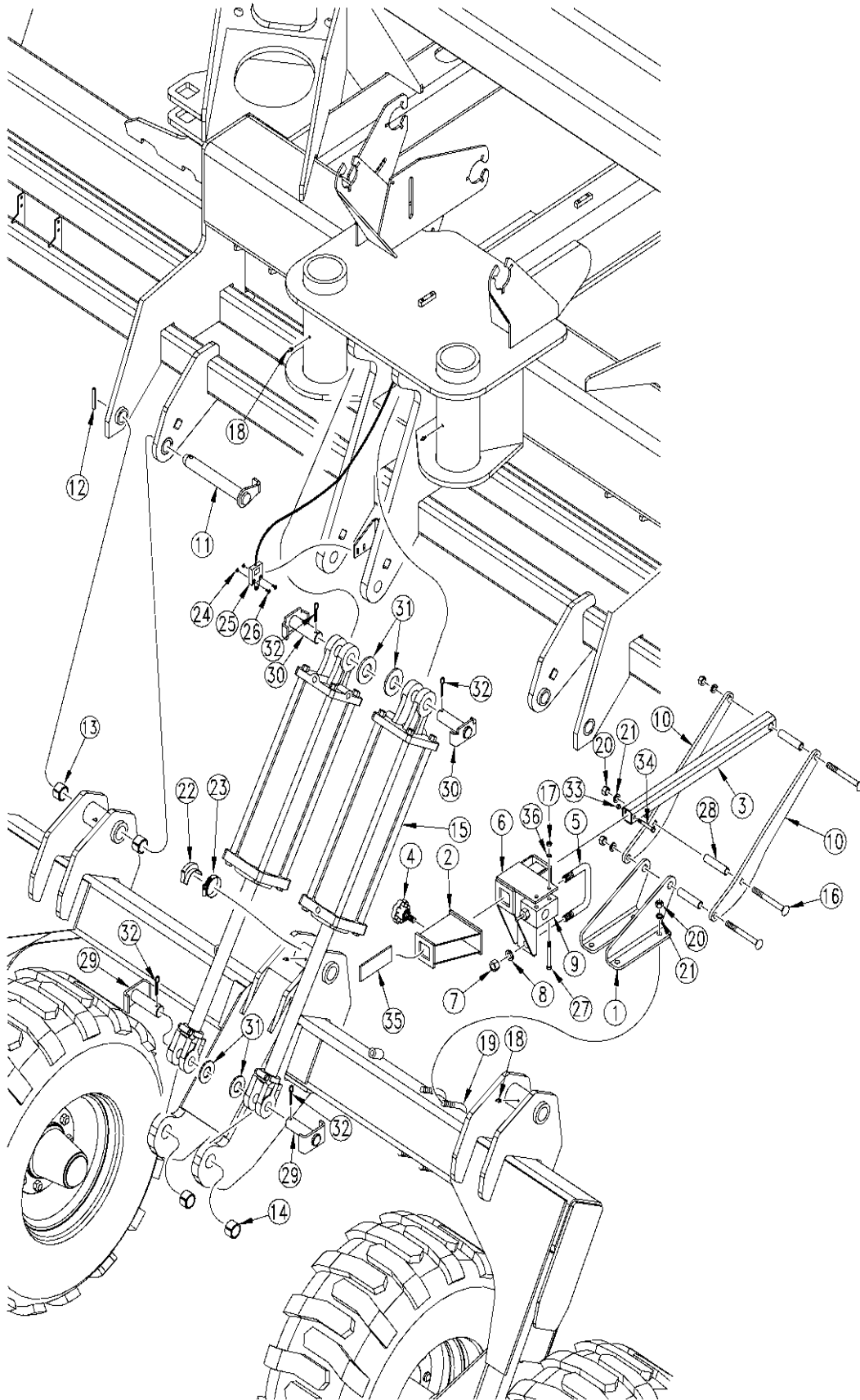
## Rockshaft

Ref.	Part No.	Part Description	Comments
1.	196-319H	40P ROCKSHAFT WELDMENT	
2.	196-289H	CYLINDER LOCK CHANNEL 1 1/2X16	
3.	815-099C	SPINDLE SGL 2.73X15.97	
4.	802-182C	HUB STUD 5/8-18X2 3/8 GR5	
5.	200-006D	8-BOLT WHEEL HUB MACH.	
6.	890-032C	HUB CAP	
7.	803-219C	NUT LUG 5/8-18 X 90 DEG PLT	
8.	196-272K	RH TIRE/RIM 395/55B16.5 SKID 8	Includes 16-18
9.	196-273K	LH TIRE/RIM 395/55B16.5 SKID 8	Includes 16-18
10.	802-069C	HHCS 3/4-10X5 GR5	
11.	803-025C	NUT HEX 3/4-10 PLT NYLOCK	
12.	815-101C	HUB 8 BOLT 5790# W/CUPS&STUDS	
13.	822-037C	BEARING CUP #3720	
14.	822-039C	BEARING CUP #2720	
15.	805-152C	BENT PIN 3/8 X 2 1/2 USE W/COT	
16.	814-206C	TIRE SKID ST 395/55B16.5 NHS	
17.	814-208C	RIM 16.5X12, 8 BLT 6 PILT 8 BC	
18.	814-210C	VALVE STEM METAL TR-575 TUBLES	
19.	822-036C	BEARING CONE #3780	
20.	822-038C	BEARING CONE #2790	
21.	181-064D	7/8 SPINDLE WASHER, HARDENED	
22.	803-029C	NUT HEX SLOTTED 7/8-14 PLT	
23.	805-016C	PIN COTTER 3/16 X 1 1/4 PLT	
24.	816-019C	8-BOLT HUB SEAL	
25.	800-001C	GREASE ZERK STRAIGHT 1/4-28	
26.	815-103C	HUB & SPINDLE ASY 8 BOLT 5790#	Includes 3-6 , 12-14 , 19-14

**3**

**Legend:** ● = 1st revision; ● = 2nd revision; ● = 3rd revision; ● = use up existing stock; ⊗ = not interchangeable; ⊗ ① ● = for example: revision 2 is not interchangeable w/revision 1

## Rockshaft To Frame



20281

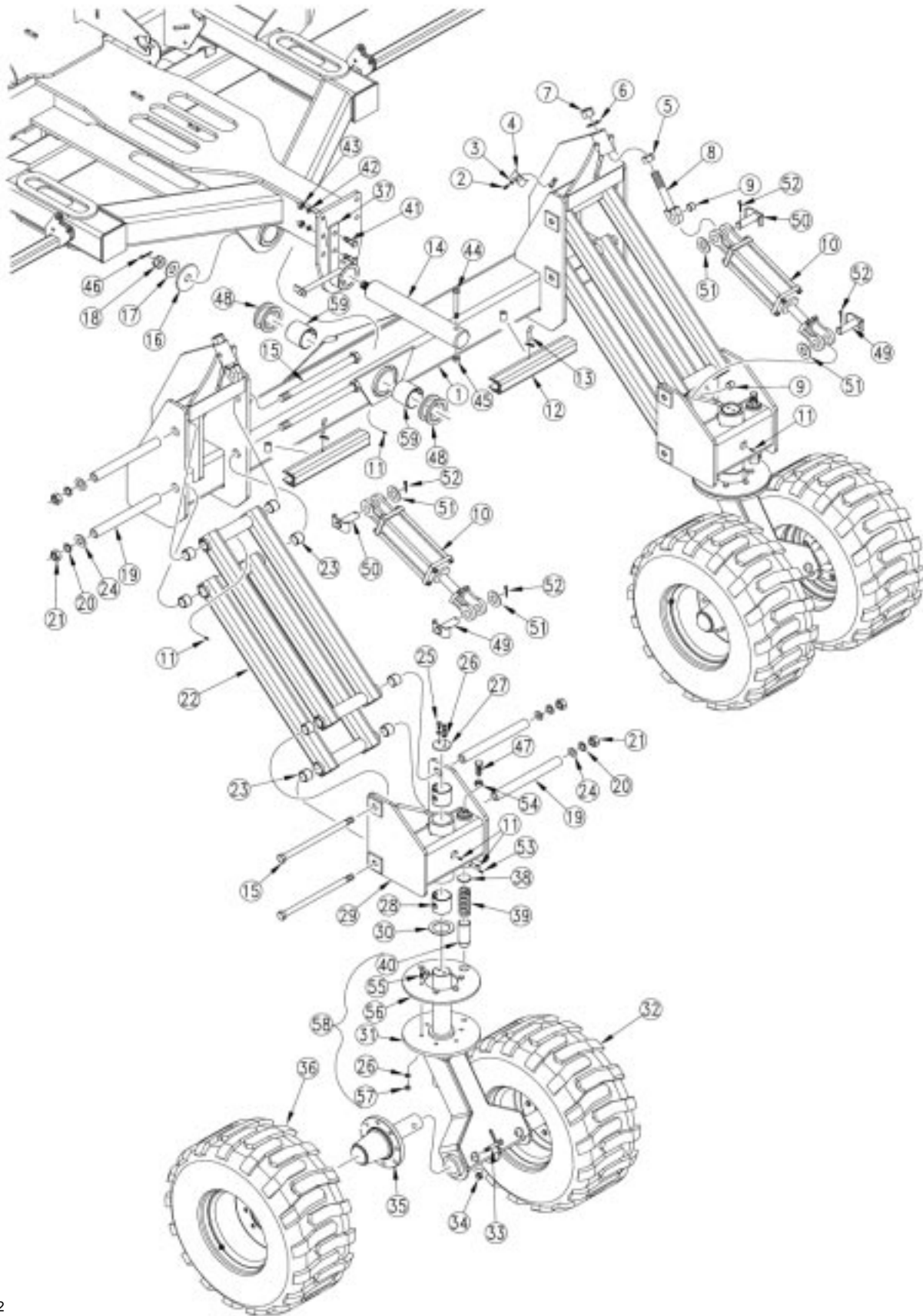
## Rockshaft To Frame

**3**

Ref.	Part No.	Part Description	Comments
1.	196-907D	DEPTH STOP TUBE BRACKET	
2.	196-298H	STROKE CONTROL PADDLE WLDMT	
3.	196-905D	DEPTH STOP SLIDE TUBE	
4.	817-455C	KNOB 1/2-13 MALE THD 2 3/8OD	
5.	806-019C	U-BOLT 5/8-11 X 4 1/32 X 3 3/8	
6.	196-381H	DEPTH VALVE MOUNT	
7.	803-021C	NUT HEX 5/8-11 PLT	
8.	804-022C	WASHER LOCK SPRING 5/8 PLT	
9.	810-503C	VALVE, STROKE CTRL 35 GPM -12	
10.	196-904D	DEPTH STOP CURVED LINK PLATE	
11.	196-288H	40P ROCKSHAFT PIN WELDMENT	
12.	805-249C	PIN ROLL 3/8 X 2 PLT	
13.	890-122C	BUSHING 1 1/2 X 1 1/4 X 1 1/2	
14.	890-011C	BUSHING SPINDLE 1 1/2X1 1/4X1	
15.	810-496C	CYL REP 5X16X1.5 ROD (TIE)	Includes pins and clips Refer to page 9-15
16.	802-463C	RHSNB 1/2-13X5 GR5	
17.	803-008C	NUT HEX 5/16-18 PLT	
18.	800-001C	GREASE ZERK STRAIGHT 1/4-28	
19.	806-060C	U-BOLT 1/2-13 X 6 1/32 X 7 1/4	
20.	803-020C	NUT HEX 1/2-13 PLT	
21.	804-015C	WASHER LOCK SPRING 1/2 PLT	
22.	817-476C	HEIGHT SWITCH CAM NO CLP 2.25	
23.	800-144C	CLAMP WRM DRV #40 SS (2.06-3)	
24.	803-001C	NUT HEX 10-24 PLT	
25.	823-198C	2SNT IMPLEMENT SWITCH	
26.	801-005C	SCREW PAN HD 1/4-20 X 3/4	
27.	802-216C	HHCS 3/8-16X2 3/4 GR5	
28.	196-906D	TUBE RND CREW 3/4ODX12GX3.25	
29.	196-393H	CYL PIN NR 1.25X3.03USBX2.63CH	
30.	196-391H	CYL PIN NR 1.25X3.72USBX3.13CH	
31.	804-028C	WASHER FLAT 1 USS PLT	
32.	805-105C	PIN COTTER 1/4 X 2 1/2 PLT	
33.	803-177C	NUT HEX LOCK 5/16-18 FLG.	
34.	802-115C	HHCS 5/16-18X2 GR5	
35.	196-911D	BAR FLT HR 3/16X1 3/4X4.88	
36.	804-009C	WASHER LOCK SPRING 5/16 PLT	

**Legend:** ● = 1st revision; ● = 2nd revision; ● = 3rd revision; ● = use up existing stock; ⊗ = not interchangeable; ⊗ ① ● = for example: revision 2 is not interchangeable w/revision 1

## Rear Axle Assembly





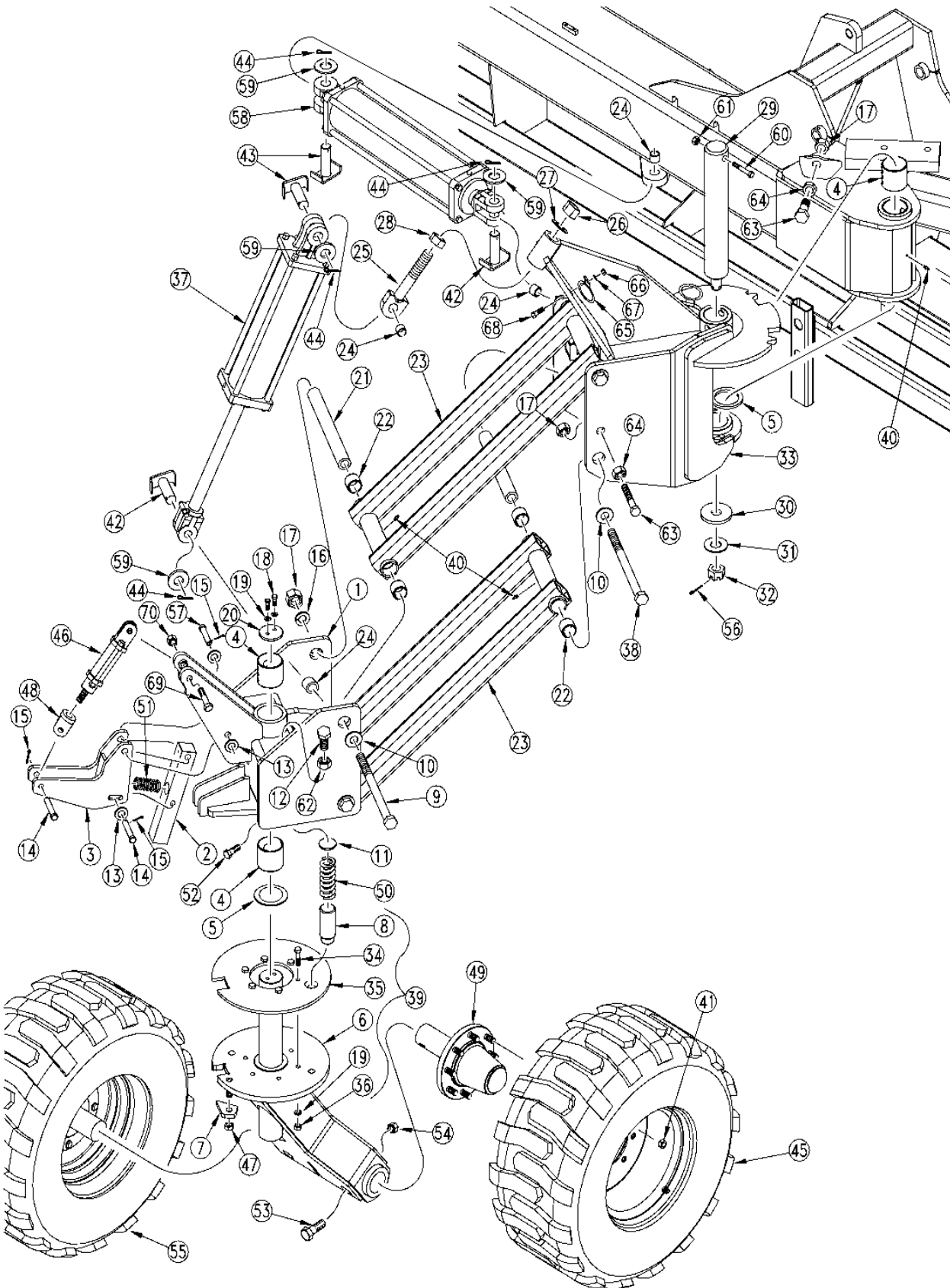
## Rear Axle Assembly

**3**

Ref.	Part No.	Part Description	Comments
1.	196-106H	40P REAR AXLE WLDMT	
2.	802-010C	HHCS 5/16-18X1 1/4 GR5	
3.	804-009C	WASHER LOCK SPRING 5/16 PLT	
4.	502-068D	HYD HOSE CLAMP BRACKET	
5.	803-073C	NUT HEX 1 1/2-6 PLT	
6.	804-197C	WASHER LOCK 1 1/2 PLT	
7.	803-063C	NUT HEX JAM 1 1/2-6 PLT	
8.	196-293H	EYEBOLT WELDMENT	
9.	890-011C	BUSHING SPINDLE 1 1/2X1 1/4X1	
10.	810-498C	CYL REP 4.5X16X1.5 ROD (TIE)	Refer to page 9-11
11.	800-001C	GREASE ZERK STRAIGHT 1/4-28	
12.	196-292H	CYLINDER LOCK CHANNEL 1 1/2X18	
13.	805-152C	BENT PIN 3/8 X 2 1/2 USE W/COT	
14.	196-652D	40P TOOLBAR PIVOT PIN	
15.	802-728C	HHCS 1-8X18 GR5	
16.	196-774D	PIVOT PIN RETAINER WASHER	
17.	804-035C	WASHER FLAT 1 1/4 USS PLT	
18.	803-079C	NUT HEX SLOTTED 1 1/4 - 7	
19.	196-654D	40P CASTER INNER PIVOT TUBE	
20.	804-027C	WASHER LOCK SPRING 1 PLT	
21.	803-031C	NUT HEX 1-8 PLT	
22.	196-287H	40P CASTER PARALLEL ARM WLDMT	
23.	890-666C	BUSHING 1 7/8X1 5/8X1 1/2 SPLT	
24.	804-029C	WASHER FLAT 1 SAE	
25.	802-034C	HHCS 1/2-13X1 1/4 GR5	
26.	804-015C	WASHER LOCK SPRING 1/2 PLT	
27.	161-231D	NTA CASTER RETAINER CAP	
28.	890-193C	STEEL BUSHING 3 1/4X3IDX3LONG	
29.	196-329H	40P CASTER SUPPORT WLDMT	
30.	804-102C	PIVOT THRUST WASHER	
31.	196-397H	REAR CASTER SUPT WLDMT	
32.	196-273K	LH TIRE/RIM 395/55B16.5 SKID 8	Refer to page 3-1
33.	802-069C	HHCS 3/4-10X5 GR5	
34.	803-025C	NUT HEX 3/4-10 PLT NYLOCK	
35.	815-103C	HUB & SPINDLE ASY 8 BOLT 5790#	Refer to page 3-1
36.	196-272K	RH TIRE/RIM 395/55B16.5 SKID 8	Refer to page 3-1
37.	196-294H	40P RADAR MOUNT WLDMT	
38.	196-769D	CASTER SPRING PLUNGER	
39.	807-143C	SPRING COMP 1.88OD x .362W	
40.	196-770D	CASTER DETENT PIN	
41.	802-064C	HHCS 3/4-10X2 GR5	
42.	804-023C	WASHER LOCK SPRING 3/4 PLT	
43.	803-027C	NUT HEX 3/4-10 PLT	
44.	802-095C	HHCS 3/4-10X7 GR5	
45.	803-026C	NUT LOCK 3/4-10 PLT	
46.	805-085C	PIN COTTER 5/16 X 2 1/2	
47.	802-067C	HHCS 3/4-10X4 GR5 FTHD	
48.	196-775D	SPACER WASHER	
49.	196-393H	CYL PIN NR 1.25X3.03USBX2.63CH	
50.	196-392H	CYL PIN NR 1.25X3.63USBX3.13CH	
51.	804-028C	WASHER FLAT 1 USS PLT	
52.	805-105C	PIN COTTER 1/4 X 2 1/2 PLT	
53.	802-300C	HHCS 1/4-28X3/8 GR5	
54.	803-048C	NUT HEX JAM 3/4-10 PL	
55.	802-128C	HHCS 1/2-13X2 GR5	
56.	196-870D	REAR CASTER LOCK PLT HARDENED	
57.	803-020C	NUT HEX 1/2-13 PLT	
58.	196-394L	REAR CASTER & HARD LCK PLT KIT	Includes 26, 31, 40, 55, 56 & 57
59.	890-800C	BUSHING 4.0X3.5X3.0 LONG SPLIT	

**Legend:** ● = 1st revision; ● = 2nd revision; ● = 3rd revision; ● = use up existing stock; ⊗ = not interchangeable; ⊗ ⊕ ● = for example: revision 2 is not interchangeable w/revision 1

# Gauge Wheel



20283

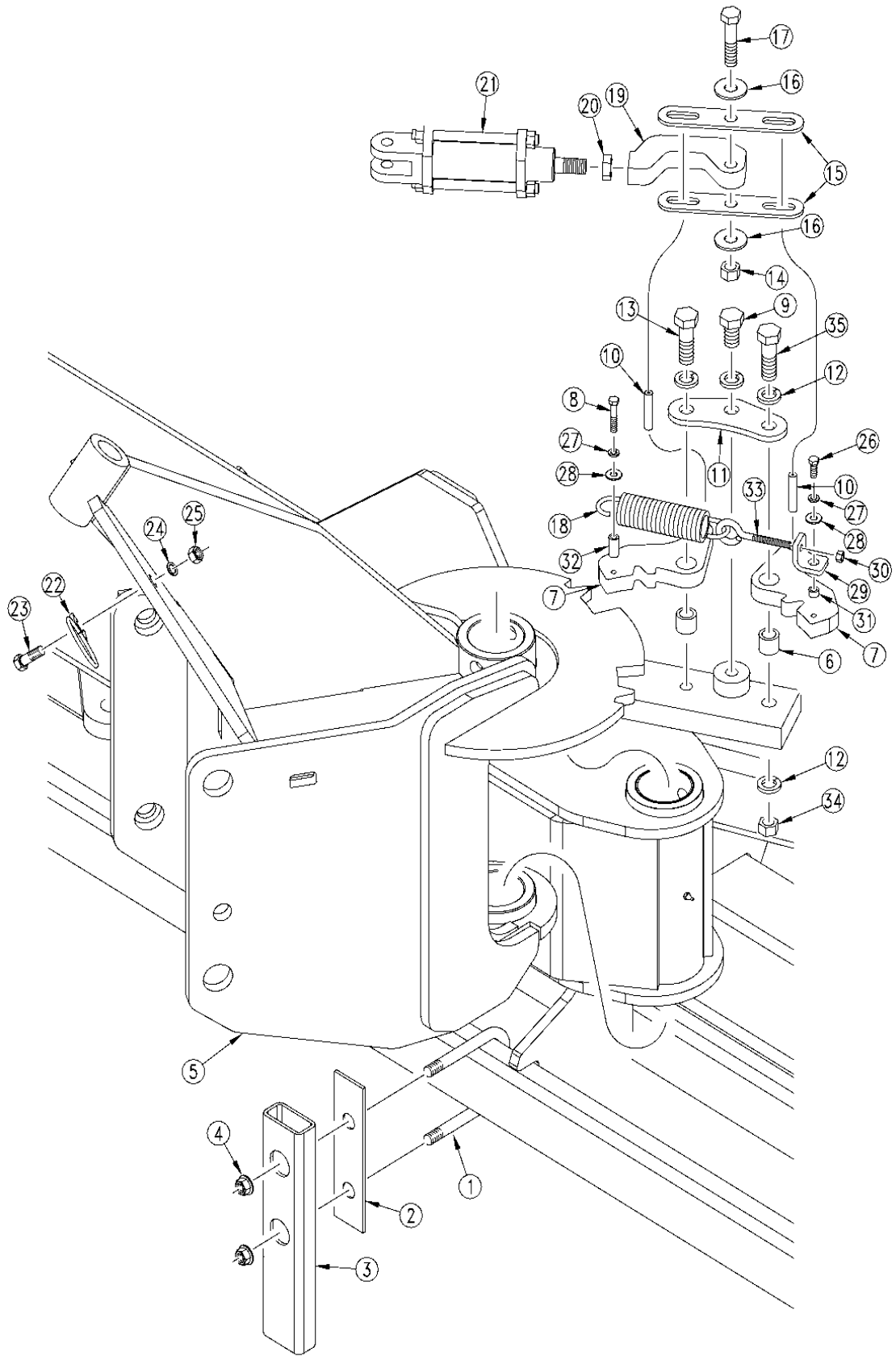
## Gauge Wheel

**3**

Ref.	Part No.	Part Description	Comments
1.	196-325H	40P LOCK CASTER SUPPORT WLDMT	
2.	196-767D	CASTER LOCK LUG	
3.	● 196-376H	<b>CASTER LOCK ARM EXTEND</b>	
	● 196-343H	<b>CASTER LOCK ARM WELDMENT</b>	
4.	890-193C	STEEL BUSHING 3 1/4X3IDX3LONG	
5.	804-102C	PIVOT THRUST WASHER	
6.	196-398H	LH LOCKING CASTER SUPT WLDMT	(Shown) Left wing
	196-399H	RH LOCKING CASTER SUPT WLDMT	Right wing
7.	196-768D	CASTER LOCK RAMP	
8.	196-770D	CASTER DETENT PIN	
9.	802-728C	HHCS 1-8X18 GR5	
10.	804-029C	WASHER FLAT 1 SAE	
11.	196-769D	CASTER SPRING PLUNGER	
12.	802-067C	HHCS 3/4-10X4 GR5 FTHD	
13.	804-021C	WASHER FLAT 5/8 SAE PLT	
14.	805-334C	PIN CLEVIS 5/8 X 3 1/2	
15.	805-109C	PIN COTTER 1/8 X 1 1/4 PLT	
16.	804-027C	WASHER LOCK SPRING 1 PLT	
17.	803-031C	NUT HEX 1-8 PLT	
18.	802-034C	HHCS 1/2-13X1 1/4 GR5	
19.	804-015C	WASHER LOCK SPRING 1/2 PLT	
20.	161-231D	NTA CASTER RETAINER CAP	
21.	196-654D	40P CASTER INNER PIVOT TUBE	
22.	890-666C	BUSHING 1 7/8X1 5/8X1 1/2 SPLT	
23.	196-287H	40P CASTER PARALLEL ARM WLDMT	
24.	890-011C	BUSHING SPINDLE 1 1/2X1 1/4X1	
25.	196-293H	EYEBOLT WELDMENT	
26.	803-063C	NUT HEX JAM 1 1/2-6 PLT	
27.	804-197C	WASHER LOCK 1 1/2 PLT	
28.	803-073C	NUT HEX 1 1/2-6 PLT	
29.	196-653D	40P GW SWIVEL PIN	
30.	196-774D	PIVOT PIN RETAINER WASHER	
31.	804-035C	WASHER FLAT 1 1/4 USS PLT	
32.	803-079C	NUT HEX SLOTTED 1 1/4 - 7	
33.	196-333H	40P CASTER SWIVEL MOUNT LH	(Shown) Left Wing
	196-328H	40P CASTER SWIVEL MOUNT RH	Right Wing
34.	802-128C	HHCS 1/2-13X2 GR5	
35.	196-872D	CASTER LOCK PLT LH HARDENED	(Shown) Left Wing
	196-873D	CASTER LOCK PLT RH HARDENED	Right Wing
36.	803-020C	NUT HEX 1/2-13 PLT	
37.	810-497C	CYL REP 4.75X16X1.5 ROD (TIE)	Refer to page 9-13
38.	802-728C	HHCS 1-8X18 GR5	
39.	196-395L	FRNT CASTR LH&HARD LCK PLT KIT	Includes 6, 8, 19, 34, 35, 36
	196-396L	FRNT CASTR RH&HARD LCK PLT KIT	Includes 6, 8, 19, 34, 35, 36
40.	800-001C	GREASE ZERK STRAIGHT 1/4-28	
41.	803-219C	NUT LUG 5/8-18 X 90 DEG PLT	
42.	196-393H	CYL PIN NR 1.25X3.03USBX2.63CH	
43.	196-392H	CYL PIN NR 1.25X3.63USBX3.13CH	
44.	805-105C	PIN COTTER 1/4 X 2 1/2 PLT	
45.	196-272K	RH TIRE/RIM 395/55B16.5 SKID 8	Refer to page 3-1
46.	810-201C	CYL 1.5X2.5X.75 ROD (TIE ROD)	Refer to page 9-17
47.	803-181C	NUT HEX FLANGE LOCK 3/4-10 PLT	
48.	810-491C	MIDWAY ROD CLEVIS 3/4-16 UNF	
49.	815-103C	HUB & SPINDLE ASY 8 BOLT 5790#	Refer to page 3-1
50.	807-143C	SPRING COMP 1.88OD x .362W	
51.	807-212C	SPRING COMP 1.4OD .162W 3LG	
52.	802-300C	HHCS 1/4-28X3/8 GR5	
53.	802-069C	HHCS 3/4-10X5 GR5	
54.	803-025C	NUT HEX 3/4-10 PLT NYLOCK	
55.	196-273K	LH TIRE/RIM 395/55B16.5 SKID 8	Refer to page 3-1
56.	805-085C	PIN COTTER 5/16 X 2 1/2	
57.	805-230C	PIN 3/4 X 4 13/32 USEABLE	
58.	810-500C	CYL REP 5X20X2 ROD (TIE)	Refer to page 9-7
59.	804-028C	WASHER FLAT 1 USS PLT	
60.	802-070C	HHCS 3/4-10X6 GR5	
61.	803-026C	NUT LOCK 3/4-10 PLT	
62.	803-048C	NUT HEX JAM 3/4-10 PLT	
63.	802-096C	HHCS 1-8X2 1/2 GR5	
64.	803-030C	NUT HEX JAM 1-8 PLT	
65.	160-018H	HOSE LOOP 2 5/8 WITH TAB	
66.	803-021C	NUT HEX 5/8-11 PLT	
67.	804-022C	WASHER LOCK SPRING 5/8 PLT	
68.	802-055C	HHCS 5/8-11X2 GR5	
69.	802-062C	HHCS 5/8-11X5 GR5	
70.	803-148C	NUT HEX NYLOCK 5/8-11 PLT	

**Legend:** ● = 1st revision; ● = 2nd revision; ● = 3rd revision; ● = use up existing stock; ⊗ = not interchangeable; ⊗ ⊕ ● = for example: revision 2 is not interchangeable w/revision 1

# Gauge Wheel Striker Plate



20364

## Gauge Wheel Striker Plate

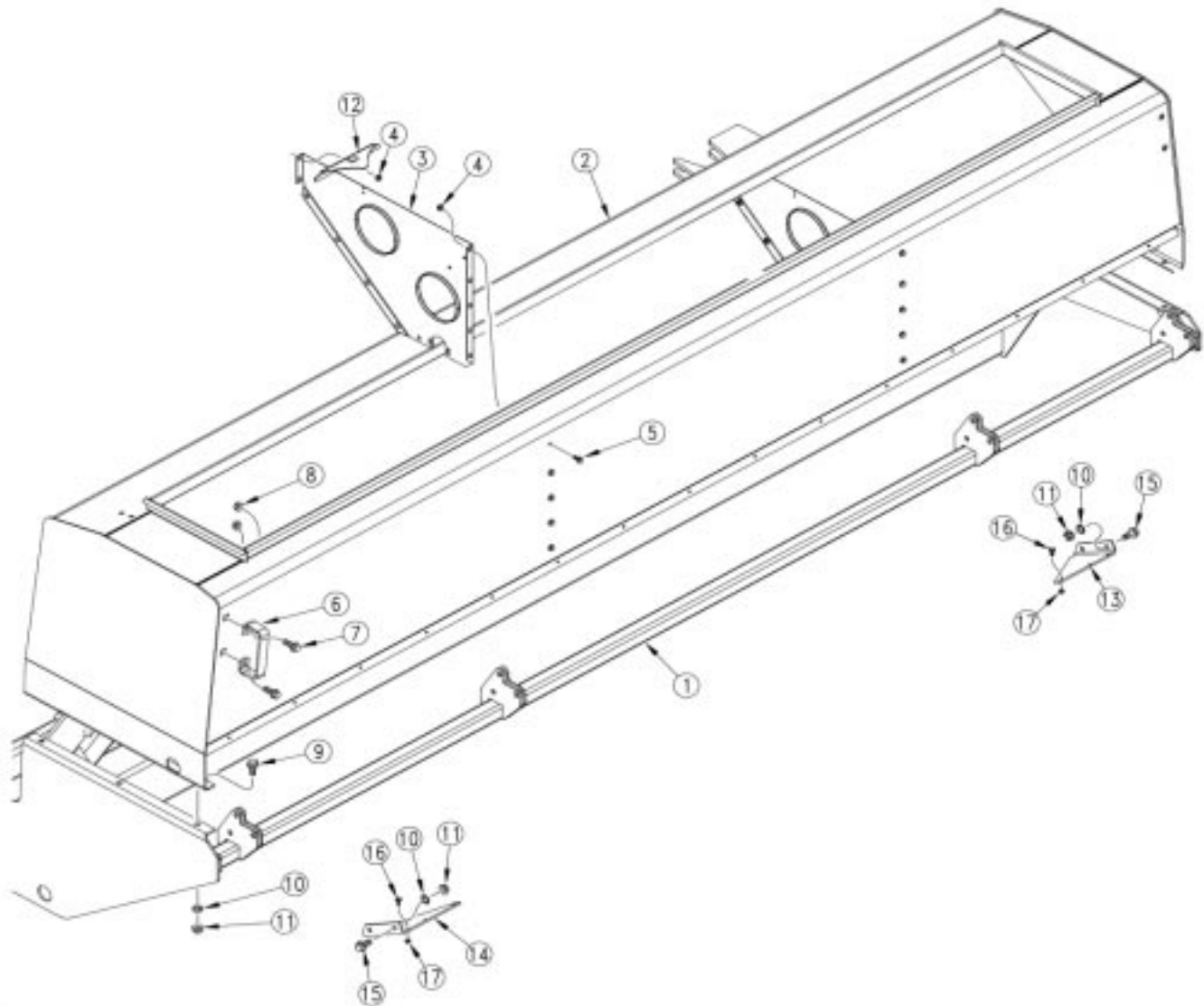
**3**

Ref.	Part No.	Part Description	Comments
1.	806-019C	U-BOLT 5/8-11 X 4 1/32 X 3 3/8	
2.	196-782D	TONGUE SPACER SHIM	
3.	196-800D	WING RUB BLOCK	
4.	803-263C	NUT HEX FLANGE LOCK 5/8-11 PLT	
5.	196-333H	40P CASTER SWIVEL MOUNT LH	Shown
	196-328H	40P CASTER SWIVEL MOUNT RH	
6.	196-891D	TUBE RND 1 1/4ODX3/16X1.05	
7.	196-856D	GW SWIVEL LOCK LUG	
8.	802-143C	HHCS 3/8-16X2 GR5	
9.	802-622C	HHCS 7/8-9X1 1/2 GR5	
10.	805-037C	PIN SPIROL 1/2X2 1/2 PLAIN	
11.	196-859D	GW SWIVEL LOCK SPREADER LINK	
12.	804-037C	WASHER LOCK SPRING 7/8 PLT	
13.	802-275C	HHCS 7/8-9X2 3/4 GR8	
14.	803-024C	NUT LOCK 5/8-11 PLT	
15.	196-858D	GW SWIVEL LOCK SLOT LINK	
16.	804-019C	WASHER FLAT 5/8 USS PLT	
17.	802-281C	HHCS 5/8-11X2 3/4 GR5	
18.	807-113C	SPRING EXT 1 7/8ODX8 3/8X.25W	
19.	196-857D	GW SWIVEL LOCK CYL ROD PLT	
20.	803-235C	NUT HEX JAM 3/4-16 UNF PLT	
21.	810-201C	CYL 1.5X2.5X.75 ROD (TIE ROD)	Refer to page 9-17
22.	160-018H	HOSE LOOP 2 5/8 WITH TAB	
23.	802-050C	HHCS 5/8-11X1 1/4 GR5	
24.	804-022C	WASHER LOCK SPRING 5/8 PLT	
25.	803-021C	NUT HEX 5/8-11 PLT	
26.	802-017C	HHCS 3/8-16X1 GR5	
27.	804-013C	WASHER LOCK SPRING 3/8 PLT	
28.	804-011C	WASHER FLAT 3/8 USS PLT	
29.	196-889D	SPRING ANCHOR ANGLE	
30.	803-014C	NUT HEX 3/8-16 PLT	
31.	402-037D	SLEEVE IDLER PIVOT	
32.	123-320D	BOX MOUNTING TUBE	
33.	802-674C	CLOSED EYE BOLT 3/8-16X4 1/2	
34.	803-049C	NUT HEX 7/8-9 PLT	
35.	802-546C	HHCS 7/8-9X5 GR5	

**Legend:** ● = 1st revision; ● = 2nd revision; ● = 3rd revision; ● = use up existing stock; ⊗ = not interchangeable; ⊗ ① ● = for example: revision 2 is not interchangeable w/revision 1

## Box To Frame

---



## Box To Frame

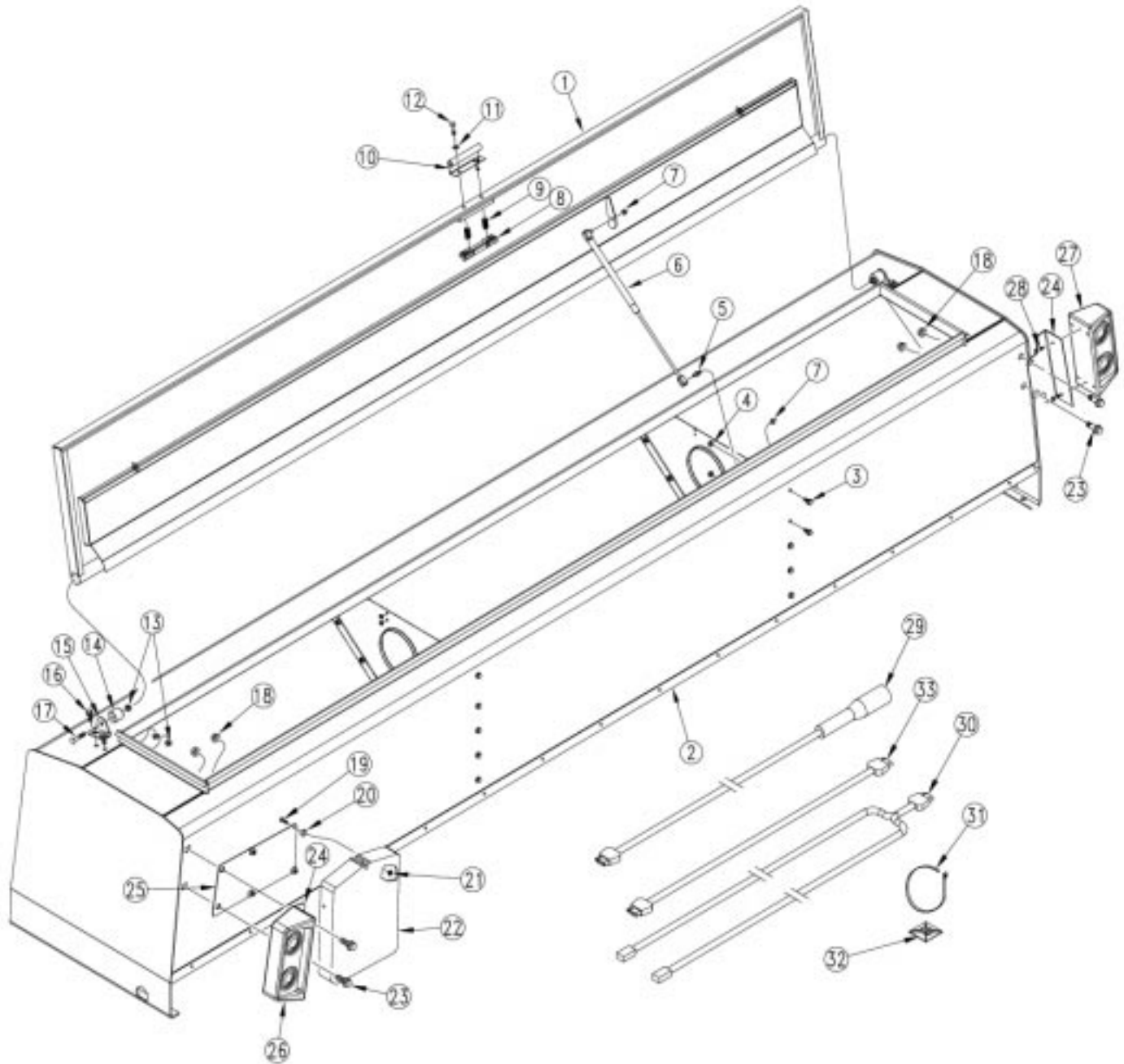
---

Ref.	Part No.	Part Description	Comments
1.	196-338H	40P LH WING FRAME WELDMENT	Shown
	196-339H	40P RH WING FRAME WELDMENT	
2.	197-168H	3N-40 SEED BOX WLDMNT	
3.	118-642D	SEED BOX PARTITION	
4.	803-199C	NUT HEX FLANGE 5/16-18 PLT	
5.	802-387C	HFS 5/16-18X3/4 GR5	
6.	119-190D	HANDLE	
7.	802-203C	HFSS 1/2-13X1 1/2 GR5	
8.	803-169C	NUT HEX FLG. LOCK 1/2-13 PLT.	
9.	802-034C	HHCS 1/2-13X1 1/4 GR5	
10.	804-015C	WASHER LOCK SPRING 1/2 PLT	
11.	803-020C	NUT HEX 1/2-13 PLT	
12.	118-052H	BOX PARTITION UPPER PAD	
13.	197-290D	3N-40P BOX GUSSET RH	
14.	197-289D	3N-40P BOX GUSSET LH	
15.	802-083C	HFSS 1/2-13X1 1/4 GR8	
16.	802-196C	HFSS 1/4-20X5/8 GR5	
17.	803-088C	NUT HEX LOCK 1/4-20 FLG	



**Legend:** ● = 1st revision; ● = 2nd revision; ● = 3rd revision; ● = use up existing stock; ⊗ = not interchangeable; ⊗ ① ● = for example: revision 2 is not interchangeable w/revision 1

## Box Components





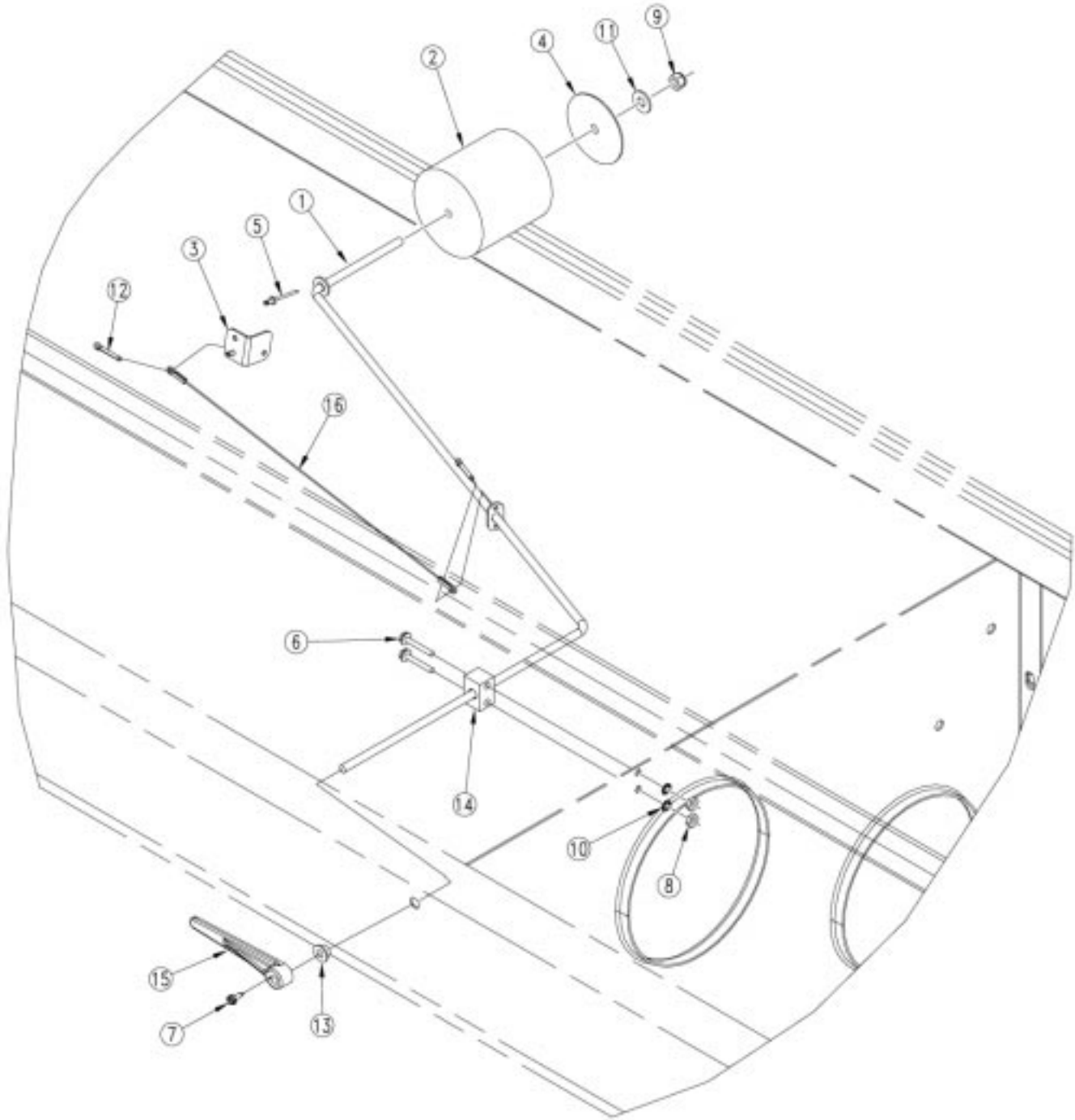
## Box Components

Ref.	Part No.	Part Description	Comments
1.	197-166H	40P SEED LID 144 WLDMT	
2.	197-168H	3N-40 SEED BOX WLDMNT	
3.	802-387C	HFS 5/16-18X3/4 GR5	
4.	803-199C	NUT HEX FLANGE 5/16-18 PLT	
5.	800-121C	BALL STUD 10MM X 5/16-18 UNC	
6.	890-221C	12-20 x 90 LB GAS SPRING	
7.	803-011C	NUT LOCK 5/16-18 PLT	
8.	119-153D	LATCH CASTING MACHINED	
9.	807-106C	SPRING .540 O.D.X 1 1/4 X.054W	
10.	119-154D	LID HANDLE	
11.	804-036C	WASHER FLAT 5/16 SAE PLT	
12.	802-425C	HHCS 5/16-18X1 1/4 NYL	
13.	803-209C	NUT FLANGE LOCK 3/8-16 PLT	
14.	313-186D	LID HINGE PIVOT	
15.	313-176D	LID HINGE BASE PLATE	
16.	802-388C	HFS 3/8-16X1 GR5	
17.	802-411C	RHSNB 3/8-16X2 GR5	
18.	803-169C	NUT HEX FLG. LOCK 1/2-13 PLT.	
19.	802-004C	HHCS 1/4-20X3/4 GR5	
20.	817-042C	MINI END WHEEL PRESS WHEEL	
21.	803-293C	NUT HEX FLANGE LOCK 1/4-20 PLT	
22.	817-516C	MANUAL PAK 1" W/ GASKET	
23.	802-203C	HFSS 1/2-13X1 1/2 GR5	
24.	150-138D	12' EWNT LIGHT BRACKET	
25.	248-251D	MANUAL PAK MOUNTING PLATE	
26.	890-311C	DUAL AG LIGHTS LH	
27.	890-312C	DUAL AG LIGHTS RH	
28.	801-151C	SCR HEX SELF TAP 1/4-20X1TYPEF	
29.	890-313C	AG LIGHT WIRING HARNESS-28	
30.	890-390C	LIGHT HARNESS, 10' WISHBONE	
31.	800-112C	CABLE TIE .19X7.25 1.75D 50LB	
32.	800-148C	CABLE TIE MOUNT	
33.	890-600C	AG LIGHT HARNESS, EXT-15'	

**Legend:** ● = 1st revision; ● = 2nd revision; ● = 3rd revision; ● = use up existing stock; ⊗ = not interchangeable; ⊗ ① ● = for example: revision 2 is not interchangeable w/revision 1

## Seed Level Indicator

---



## Seed Level Indicator

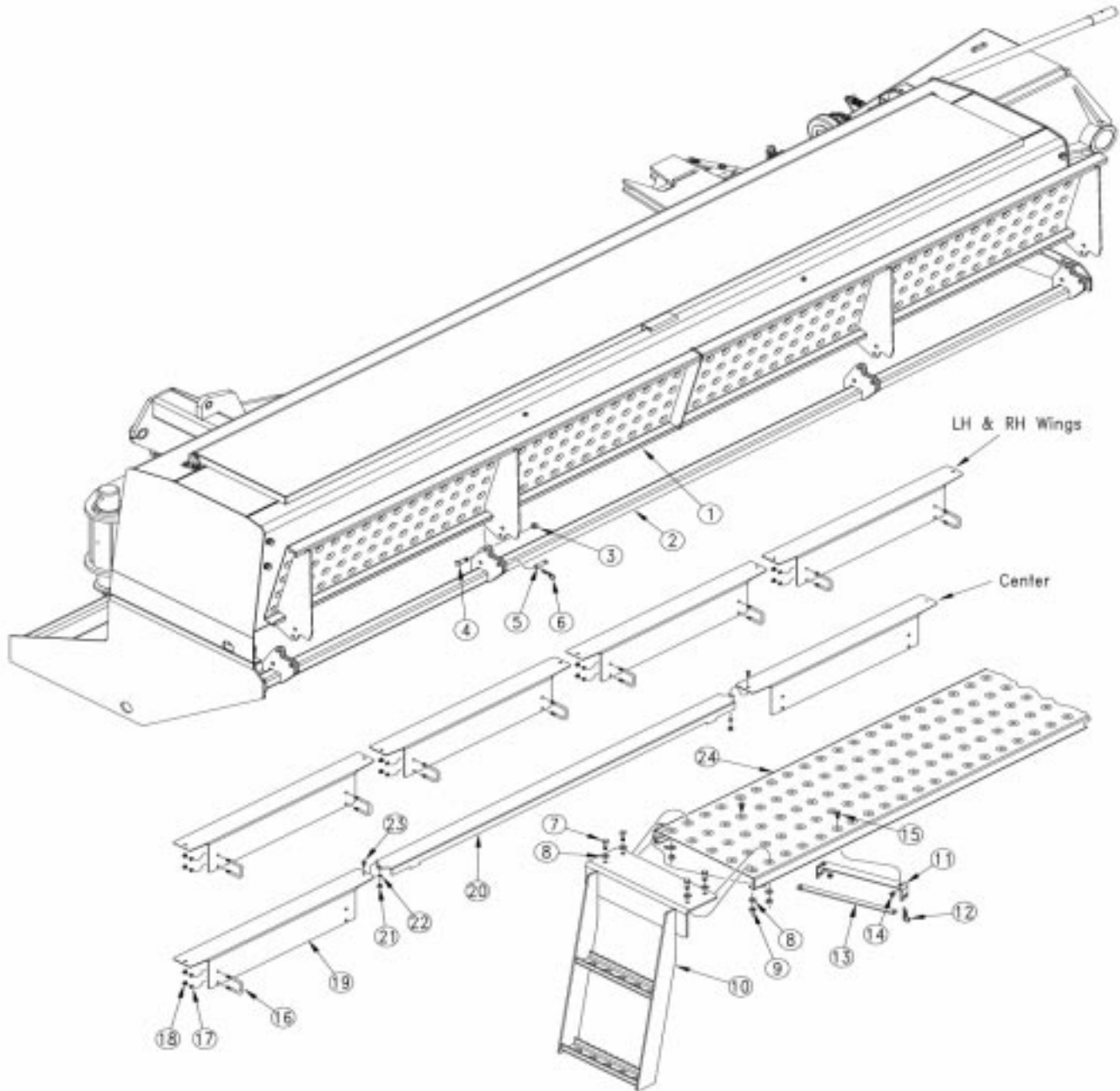
Ref.	Part No.	Part Description	Comments
1.	118-474H	SEED LEVEL ARM, 6 3/4R. TAB	
2.	197-089D	FOAM FLOAT	
3.	197-091D	SEED LEVEL CHAIN BRACKET	
4.	197-096D	FOAM FLOAT WASHER	
5.	800-101C	RIVET POP 1/8 .125 AD42BSLF	
6.	801-096C	HFS 10-24 X 1 1/8 PLTD	
7.	801-154C	SCR HEX HD SHT MET #8 X 1/2	
8.	803-001C	NUT HEX 10-24 PLT	
9.	803-255C	NUT HEX NYLOCK 1/4-20	
10.	804-004C	WASHER INTERNAL STAR #10 PLT	
11.	804-075C	WASHER FLAT 1/4 USS PLT	
12.	805-067C	PIN COTTER 1/8 X 3/4	
13.	817-086C	SEED LEVEL BUSHING	
14.	817-202C	SEED LEVEL ARM MOUNT	
15.	817-350C	SEED LEVEL INDICATOR	
16.	890-305C	CABLE 3/64 X 11 5/8 W/ EYELETS	



**Legend:** ● = 1st revision; ● = 2nd revision; ● = 3rd revision; ● = use up existing stock; ⊗ = not interchangeable; ⊗ ① ● = for example: revision 2 is not interchangeable w/revision 1

## Walkboards And Steps

---



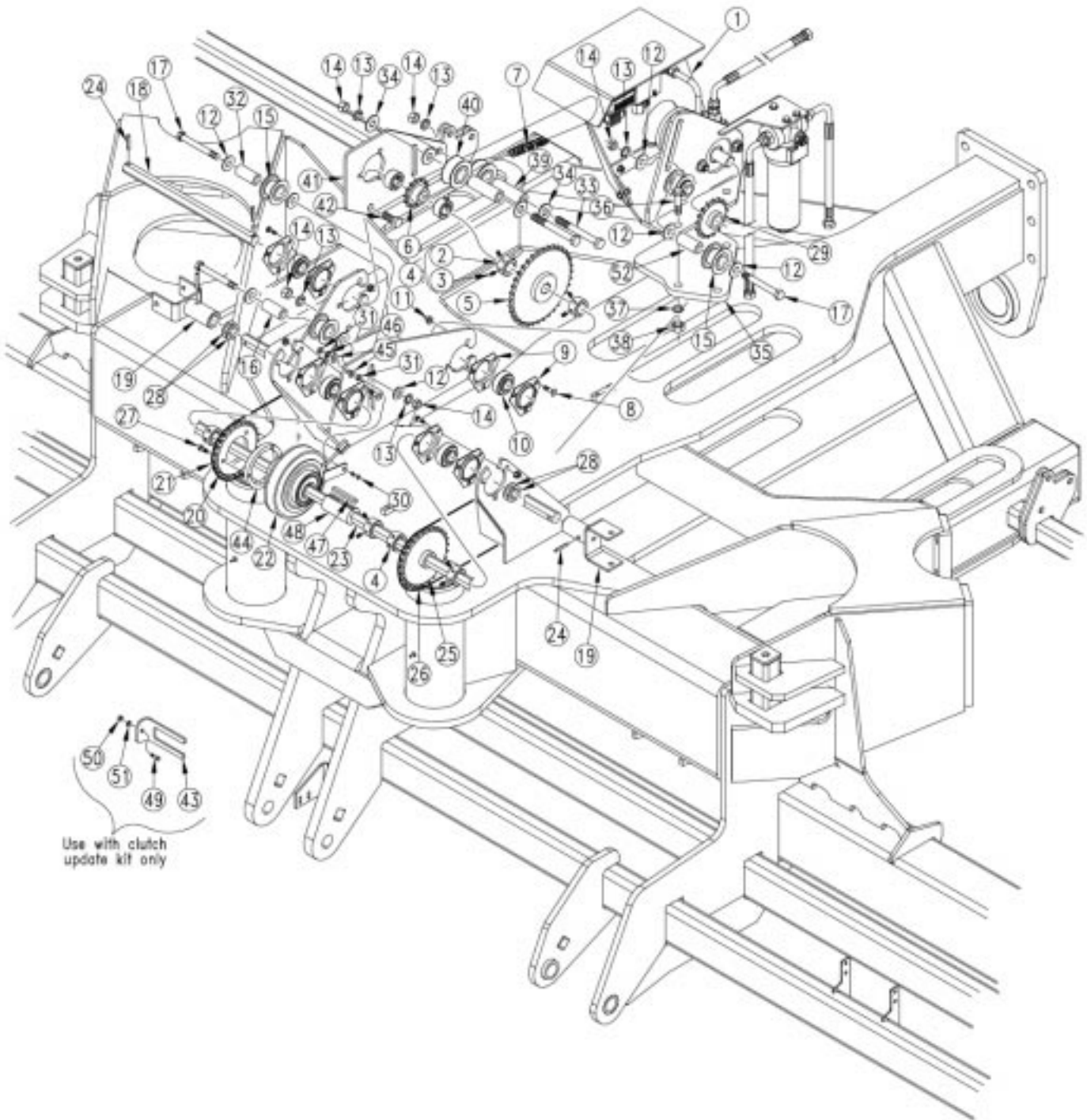
## Walkboards And Steps

Ref.	Part No.	Part Description	Comments
1.	196-297H	40P WALKBOARD WLDMT	
2.	196-338H	40P LH WING FRAME WELDMENT	Shown
	196-339H	40P RH WING FRAME WELDMENT	
3.	803-019C	NUT LOCK 1/2-13 PLT	
4.	802-034C	HHCS 1/2-13X1 1/4 GR5	
5.	805-127C	PIN CLEVIS 1/2 X 1 3/4	
6.	805-143C	PIN HAIR COTTER .120 PLT	
7.	802-079C	HHCS 3/8-16X1 1/4 GR5	
8.	804-012C	WASHER FLAT 3/8 SAE PLT	
9.	803-078C	NUT LOCK 3/8-16 NYLON INSERT	
10.	196-299H	40P LADDER WLDMT	
11.	119-211D	OPENER HANDLE HOLDER	
12.	805-032C	PIN HAIR COTTER .148 WIRE	
13.	198-810H	SPRING ADJ HANDLE WELDMENT	
14.	803-209C	NUT FLANGE LOCK 3/8-16 PLT	
15.	802-388C	HFS 3/8-16X1 GR5	
16.	806-166C	U-BOLT 3/8-16 X 2 1/32 X 3	
17.	804-013C	WASHER LOCK SPRING 3/8 PLT	
18.	803-014C	NUT HEX 3/8-16 PLT	
19.	196-886D	WALKBOARD FILLER STRIP	
20.	196-887D	WALKBOARD FILLER CHANNEL	
21.	803-008C	NUT HEX 5/16-18 PLT	
22.	804-009C	WASHER LOCK SPRING 5/16 PLT	
23.	802-159C	HHCS 5/16-18X1 GR5	
24.	196-297H	40P WALKBOARD WLDMT	

**4**

**Legend:** ● = 1st revision; ● = 2nd revision; ● = 3rd revision; ● = use up existing stock; ⊗ = not interchangeable; ⊗ ① ● = for example: revision 2 is not interchangeable w/revision 1

## Center Section Drive



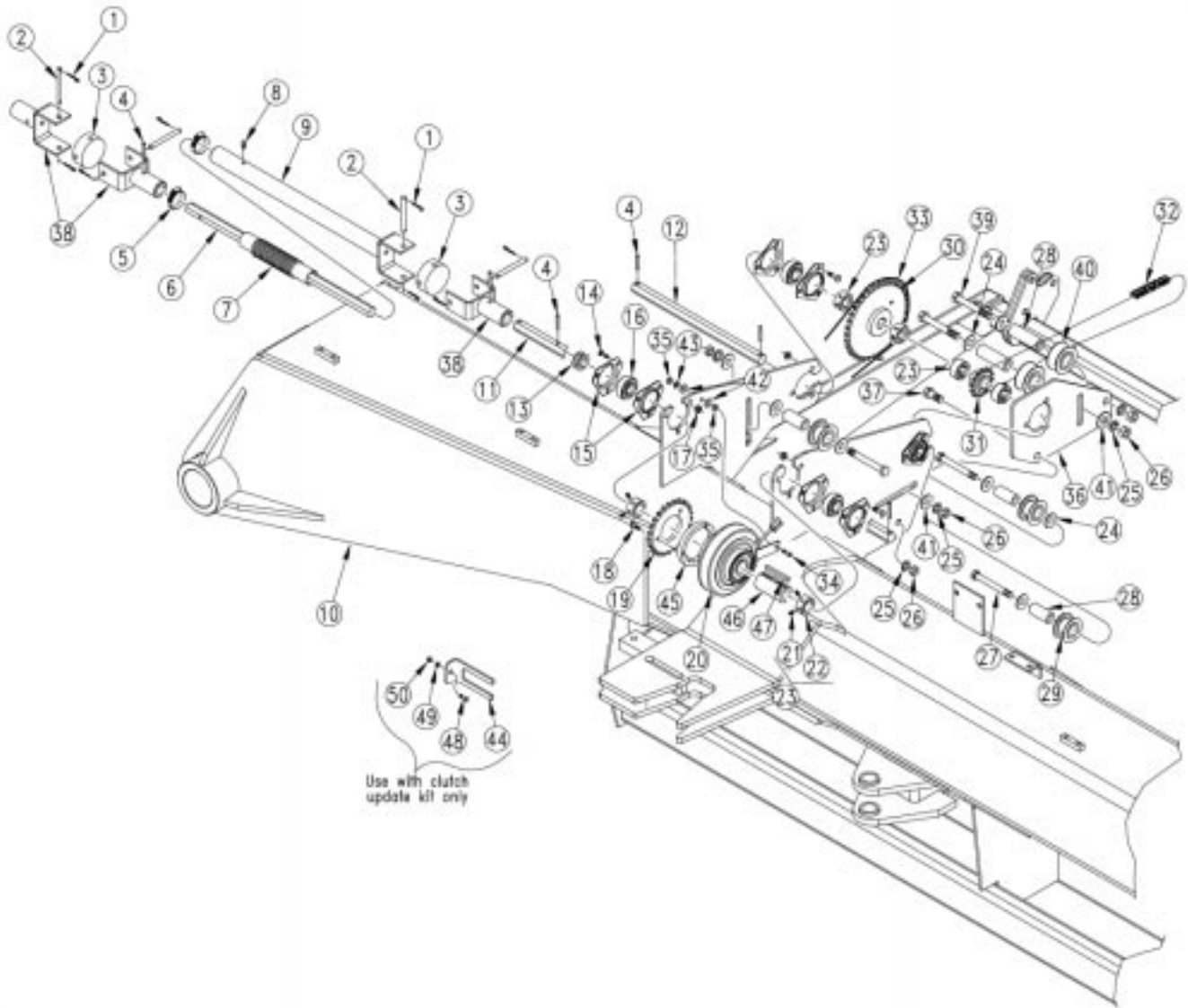
## Center Section Drive

Ref.	Part No.	Part Description	Comments
1.	833-251C	VERIS PPC-40 CONTROLLER	
2.	402-058D	COLLAR LOCK 7/8 HEX	
3.	801-035C	SCREW SET 5/16-18 SKT KP X 3/8	
4.	402-025S	LOCK COLLAR, 7/8 HEX W/ SET SC	
5.	808-313C	SPKT 50C36 X 7/8 HEX BORE	
6.	808-259C	SPKT 40B14 X 7/8 HEX BORE	
7.	136-120D	CHAIN RL #40 91 PITCHES	
8.	802-282C	RHSNB 5/16-18X1 GR5	
9.	822-175C	FLANGETTE 52 3-BOLT PLT	
10.	822-195C	BRG.7/8HEX 52MM SPHR OD PEER	
11.	803-177C	NUT HEX LOCK 5/16-18 FLG.	
12.	804-113C	WASHER FLAT 1/2 USS HARD PLT	
13.	804-015C	WASHER LOCK SPRING 1/2 PLT	
14.	803-020C	NUT HEX 1/2-13 PLT	
15.	817-456C	IDLER SPOOL #50 2.38X1.01X1.31	
16.	120-306D	TUBE RND 1 OD X 7/32W X 2.13	
17.	802-672C	HHCS 1/2-13X4 1/2 GR5 SPTHD	
18.	120-286D	SHAFT 7/8 HEX GW PIVOT	
19.	196-245H	U-JOINT DRIVE SHAFT YOKE	
20.	808-357C	SPKT 50A25 CLUTCH METRIC BORE	
21.	136-200D	CHAIN RL #50 92 PITCHES	
22.	823-231C	OGURA CLUTCH	
23.	196-776D	40P CENTER CLUTCH SHAFT	
24.	805-180C	PIN ROLL 1/4 X 1 1/2 LG PLT	
25.	808-311C	SPKT 50C27 X 7/8 HEX BORE	
26.	136-202D	CHAIN RL #50 72 PITCHES	
27.	802-775C	HSHCS M8X1.25X30 GR8.8 PLT	Use liquid thead locker
28.	804-061C	WASHER MACH 1.50 X 1.00 X 18GA	
29.	808-344C	SPKT 50B17 X 1 BORE W/KW, 2 SS	
30.	802-085C	HHCS 1/4-20X5 GR5 PLT	
31.	803-006C	NUT HEX 1/4-20 PLT	
32.	120-293D	TUBE RND DOM. 1 OD X 7/32WX3.0	
33.	802-672C	HHCS 1/2-13X4 1/2 GR5 SPTHD	
34.	804-113C	WASHER FLAT 1/2 USS HARD PLT	
35.	196-847D	VERIS DRIVE SUPPORT SPACER	
36.	802-058C	HHCS 5/8-11X2 1/2 GR5	
37.	804-022C	WASHER LOCK SPRING 5/8 PLT	
38.	803-021C	NUT HEX 5/8-11 PLT	
39.	120-293D	TUBE RND DOM. 1 OD X 7/32WX3.0	
40.	817-406C	IDLER 1 PC 2.38X1.01X1.062	
41.	196-850D	3N-40 FD CUP DRIVE IDLER PLT	
42.	802-034C	HHCS 1/2-13X1 1/4 GR5	
43.	196-866D	CLUTCH ROTATION TAB	
44.	196-876D	CLUTCH SPROCKET SPACER	
45.	804-075C	WASHER FLAT 1/4 USS PLT	
46.	804-006C	WASHER LOCK SPRING 1/4 PLT	
47.	839-956C	KEY 1/4 X 3/16 X 3.80	
48.	196-877D	BUSHING 1 1/8 ODX7/8 HEX BORE	
49.	802-159C	HHCS 5/16-18X1 GR5	
50.	803-008C	NUT HEX 5/16-18 PLT	
51.	804-009C	WASHER LOCK SPRING 5/16 PLT	
52.	120-306D	TUBE RND 1 OD X 7/32W X 2.13	

**5**

**Legend:** ● = 1st revision; ● = 2nd revision; ● = 3rd revision; ● = use up existing stock; ⊗ = not interchangeable; ⊗ ① ● = for example: revision 2 is not interchangeable w/revision 1

## Wing Drive



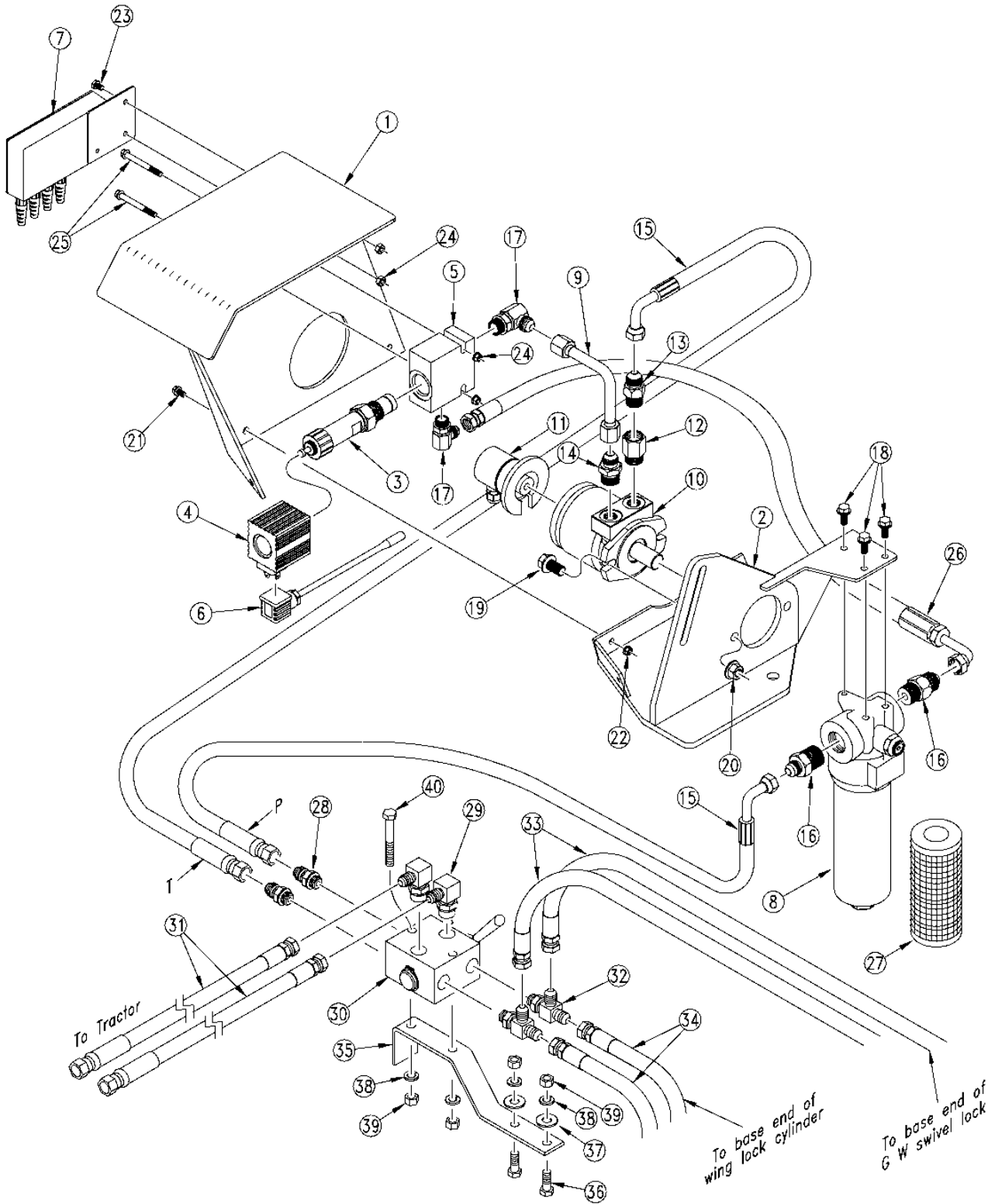


## Wing Drive

Ref.	Part No.	Part Description	Comments
1.	805-067C	PIN COTTER 1/8 X 3/4	
2.	195-157D	U-JOINT PIN 3/8	
3.	817-273C	U-JOINT NYLATRON CROSS BLOCK	
4.	805-180C	PIN ROLL 1/4 X 1 1/2 LG PLT	
5.	800-311C	CLAMP WRM DRV #24 (1.06-2)	
6.	196-581D	SLIDER SHAFT 7/8 HEX 44.50 LG	
7.	816-107C	SEED HOSE X 45 RIBS	
8.	800-001C	GREASE ZERK STRAIGHT 1/4-28	
9.	196-246H	TELESCOPING DRIVE SHAFT TUBE	
10.	196-338H	40P LH WING FRAME WELDMENT	
11.	196-773D	40P WING CLUTCH STUB SHAFT	
12.	120-286D	SHAFT 7/8 HEX GW PIVOT	
13.	804-061C	WASHER MACH 1.50 X 1.00 X 18GA	
14.	802-282C	RHSNB 5/16-18X1 GR5	
15.	822-175C	FLANGETTE 52 3-BOLT PLT	
16.	822-119C	BRG.7/8HEX BR 52MM SPHRICAL OD	
17.	803-177C	NUT HEX LOCK 5/16-18 FLG.	
18.	802-775C	HSHCS M8X1.25X30 GR8.8 PLT	Use liquid thread locker
19.	808-357C	SPKT 50A25 CLUTCH METRIC BORE	
20.	823-231C	OGURA CLUTCH	
21.	801-035C	SCREW SET 5/16-18 SKT KP X 3/8	
22.	402-058D	COLLAR LOCK 7/8 HEX	
23.	402-025S	LOCK COLLAR, 7/8 HEX W/ SET SC	
24.	804-113C	WASHER FLAT 1/2 USS HARD PLT	
25.	804-015C	WASHER LOCK SPRING 1/2 PLT	
26.	803-020C	NUT HEX 1/2-13 PLT	
27.	802-672C	HHCS 1/2-13X4 1/2 GR5 SPTH	
28.	120-293D	TUBE RND DOM. 1 OD X 7/32WX3.0	
29.	817-456C	IDLER SPOOL #50 2.38X1.01X1.31	
30.	808-313C	SPKT 50C36 X 7/8 HEX BORE	
31.	808-259C	SPKT 40B14 X 7/8 HEX BORE	
32.	136-126D	CHAIN RL #40 99 PITCHES	
33.	136-201D	CHAIN RL #50 83 PITCHES	
34.	802-085C	HHCS 1/4-20X5 GR5 PLT	
35.	803-006C	NUT HEX 1/4-20 PLT	
36.	196-850D	3N-40 FD CUP DRIVE IDLER PLT	
37.	802-034C	HHCS 1/2-13X1 1/4 GR5	
38.	196-245H	U-JOINT DRIVE SHAFT YOKE	
39.	802-672C	HHCS 1/2-13X4 1/2 GR5 SPTH	
40.	817-406C	IDLER 1 PC 2.38X1.01X1.062	
41.	804-017C	WASHER FLAT 1/2 USS PLT	
42.	804-075C	WASHER FLAT 1/4 USS PLT	
43.	804-006C	WASHER LOCK SPRING 1/4 PLT	
44.	196-866D	CLUTCH ROTATION TAB	
45.	196-876D	CLUTCH SPROCKET SPACER	
46.	196-877D	BUSHING 1 1/8 ODX7/8 HEX BORE	
47.	839-956C	KEY 1/4 X 3/16 X 3.80	
48.	802-159C	HHCS 5/16-18X1 GR5	
49.	804-009C	WASHER LOCK SPRING 5/16 PLT	
50.	803-008C	NUT HEX 5/16-18 PLT	

Legend: ● = 1st revision; ● = 2nd revision; ● = 3rd revision; ● = use up existing stock; ⊗ = not interchangeable; ⊗ ① ● = for example: revision 2 is not interchangeable w/revision 1

# Veris Drive Components



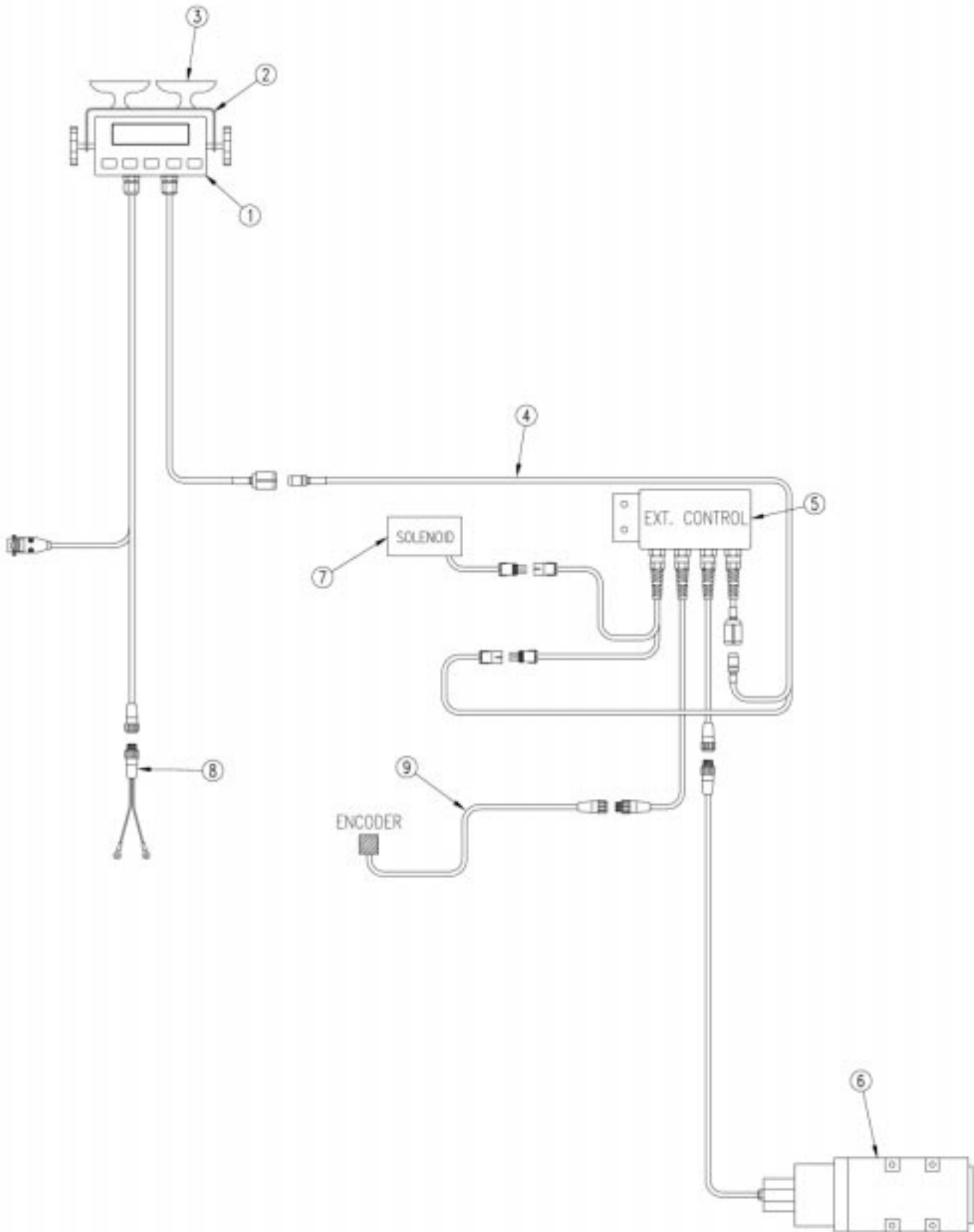
## Veris Drive Components

Ref.	Part No.	Part Description	Comments
1.	VER-20466	VERIS CONTROLLER MOUNT 40' WLD	
2.	VER-20465	VERIS MOTOR MOUNT 40' WELDMENT	
3.	VER-19798	VERIS PROPORTIONAL CARTR 14GPM	
4.	VER-19799	VERIS COIL 12V WATERMAN CARTR	
5.	VER-19800	VERIS VLV BODY SAE-12-2X SAE-8	
6.	VER-18375	VERIS SOLENOID CABLE	
7.	VER-18360	VERIS CONTROLLER ASM	
8.	VER-18574	VERIS FILTER HYD 3000 PSI PALL	
9.	VER-5211	VERIS HYD LINE STL .5 OD X.049	
10.	VER-19857	VERIS MOTOR HYD 8.8 CIR	
11.	VER-18382	VERIS ENCODER W/ CABLE	
12.	811-564C	AD 3/4FORB 7/8MORB	
13.	VER-19554	VERIS VLV CHECK IN-LINE8MB-8MJ	
14.	811-192C	AD 3/4MJIC 7/8MORB	
15.	VER-25390	HH1/2M3K 3/4FJIC 3/4FJIC90X168	
16.	811-205C	AD 3/4MJIC 1 1/16MORB	
17.	VER-5184	VERIS FTG HYD 8MB-8MJ90	
18.	VER-18548	VERIS BLT FLG SER8.8M8-1.25X16	
19.	802-203C	HFSS 1/2-13X1 1/2 GR5	
20.	803-037C	NUT HEX WHIZ 1/2-13 PLT	
21.	VER-4416	VERIS BLT FLG SER5/16-18NCX.75	
22.	803-177C	NUT HEX LOCK 5/16-18 FLG.	
23.	802-257C	HFSS 1/4-20X3/4 GR5	
24.	803-088C	NUT HEX LOCK 1/4-20 FLG	
25.	VER-9679	VERIS BLT HH1/4-20NCX2.25GR5ZN	
26.	VER-2584	VERIS HYD HS 8M3K-8FJX90S-8FJX	
27.	VER-19856	FILTER ELEMENT PALL 6 MICRON	
28.	811-088C	AD 3/4MORB 3/4MJIC	
29.	811-063C	EL 3/4MJIC 3/4MORB	
30.	810-274C	DOUBLE SELECTOR VALVE 3/4FORB	Refer to page 9-21 for breakdown
31.	841-056C	HH1/2R1 336 3/4MORB 3/4FJIC	
32.	811-249C	TE 9/16MJIC 9/16MJIC 3/4MORB	
33.	811-230C	HH1/4R1 095 9/16FJIC	
34.	811-781C	HH1/4R1 048 9/16FJIC	
35.	196-862D	SELECTOR VALVE MOUNT STRAP	
36.	802-017C	HHCS 3/8-16X1 GR5	
37.	804-011C	WASHER FLAT 3/8 USS PLT	
38.	804-013C	WASHER LOCK SPRING 3/8 PLT	
39.	803-014C	NUT HEX 3/8-16 PLT	
40.	802-024C	HHCS 3/8-16X3 GR5	



**Legend:** ● = 1st revision; ● = 2nd revision; ● = 3rd revision; ● = use up existing stock; ⊗ = not interchangeable; ⊗ ① ● = for example: revision 2 is not interchangeable w/revision 1

# Veris Drive Controller

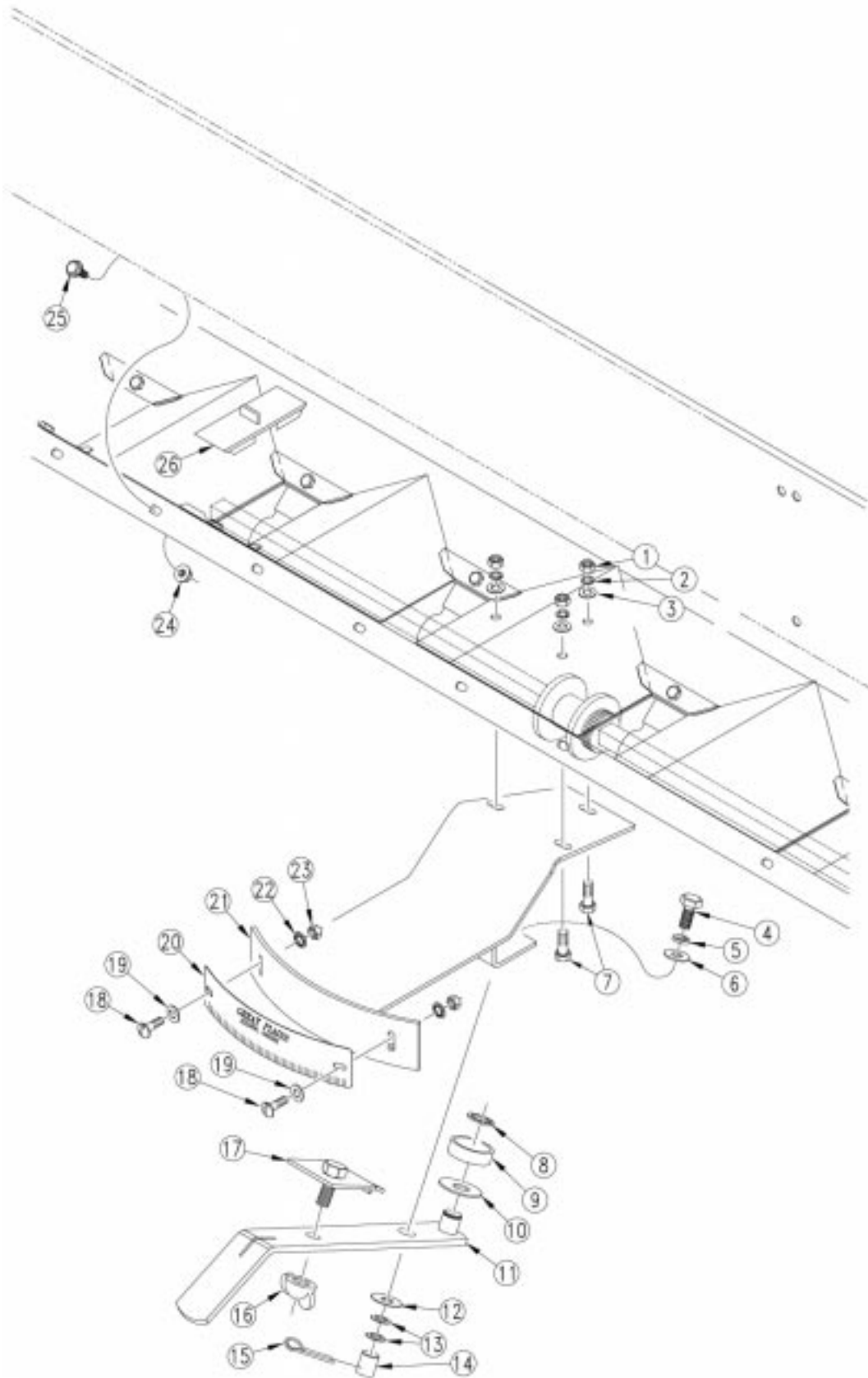


## Veris Drive Controller

---

Ref.	Part No.	Part Description	Comments
1.	VER-21567	VERIS CAB CONSOLE	
2.	VER-19516	VERIS MOUNT	
3.	VER-21463	VERIS SUCTION CUP	
4.	VER-21475	VERIS POWER/COMM CABLE 55'	
5.	VER-21568	VERIS EXT. CONTROL	
6.	833-179C	DJ RADAR SENSOR W/HARDWARE	
7.	VER-18375	VERIS SOLENOID CABLE	
8.	VER-19729	VERIS PWR PRT ADPTR-HYD DRIVE	
9.	VER-18382	VERIS ENCODER W/ CABLE	

# Seed Rate Adjustment Handle (118-881S)



20462

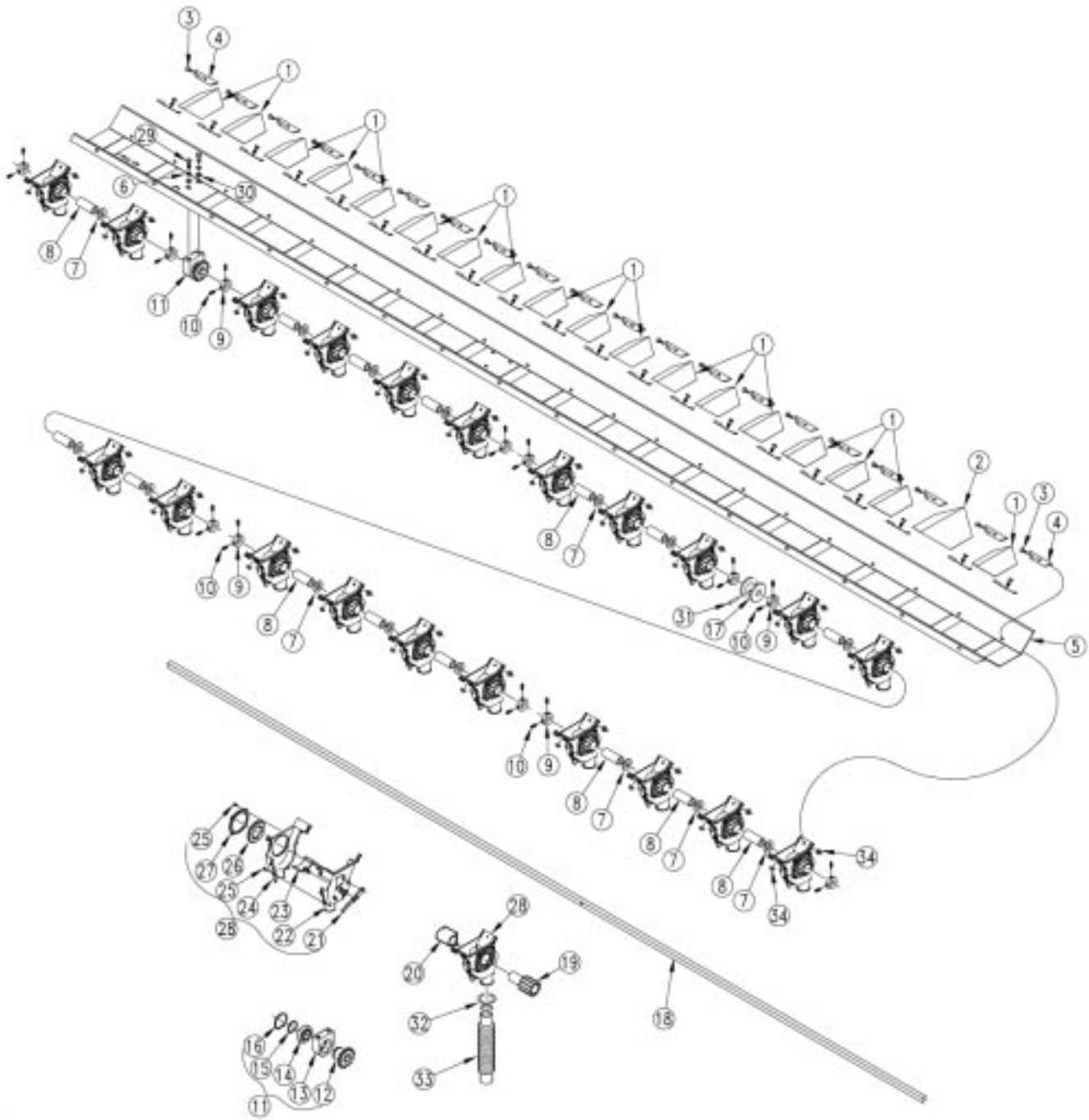
## Seed Rate Adjustment Handle (118-881S)

Ref.	Part No.	Part Description	Comments
1.	803-008C	NUT HEX 5/16-18 PLT	
2.	804-009C	WASHER LOCK SPRING 5/16 PLT	
3.	804-036C	WASHER FLAT 5/16 SAE PLT	
4.	802-014C	HHCS 3/8-16X3/4 GR5	
5.	804-013C	WASHER LOCK SPRING 3/8 PLT	
6.	804-012C	WASHER FLAT 3/8 SAE PLT	
7.	802-007C	HHCS 5/16-18X3/4 GR5	
8.	800-003C	SNAP RING EXT 17 MM	
9.	822-008C	BEARING ADJ HANDLE 6203 2RS	
10.	804-001C	WASHER ADJ HANDLE BRG	
11.	118-443H	SEED RATE ADJ HANDLE WLDMNT	
12.	804-021C	WASHER FLAT 5/8 SAE PLT	
13.	804-040C	WASHER MACH 1.19 X .63 X 18GA	
14.	109-069D	ADJUSTMENT HANDLE PIVOT	
15.	805-016C	PIN COTTER 3/16 X 1 1/4 PLT	
16.	803-016C	NUT WING 1/2-13 PLT	
17.	109-025H	ADJ LOCK PLATE ASS'Y - 1 1/2 W	
18.	801-001C	SCREW RD HD 8-32 X 3/8 BRASS	
19.	804-003C	WASHER FLAT #8 BRASS	
20.	819-109C	REAR SEED ADJ GUIDE 6 3/4 LONG	
21.	118-880H	3N-40 SEED RATE ADJ WLDMNT	
22.	804-002C	WASHER INTERNAL STAR #8 BRASS	
23.	803-035C	NUT HEX 8-32 BRASS	
24.	803-088C	NUT HEX LOCK 1/4-20 FLG	
25.	802-196C	HFSS 1/4-20X5/8 GR5	
26.	817-087C	1 3/4 WIDE FEEDER CUP PLUG	



**Legend:** ● = 1st revision; ● = 2nd revision; ● = 3rd revision; ● = use up existing stock; ⊗ = not interchangeable; ⊗ ① ● = for example: revision 2 is not interchangeable w/revision 1

## Feeder Cup Channel (LH 7.5")





## Feeder Cup Channel (LH 7.5")

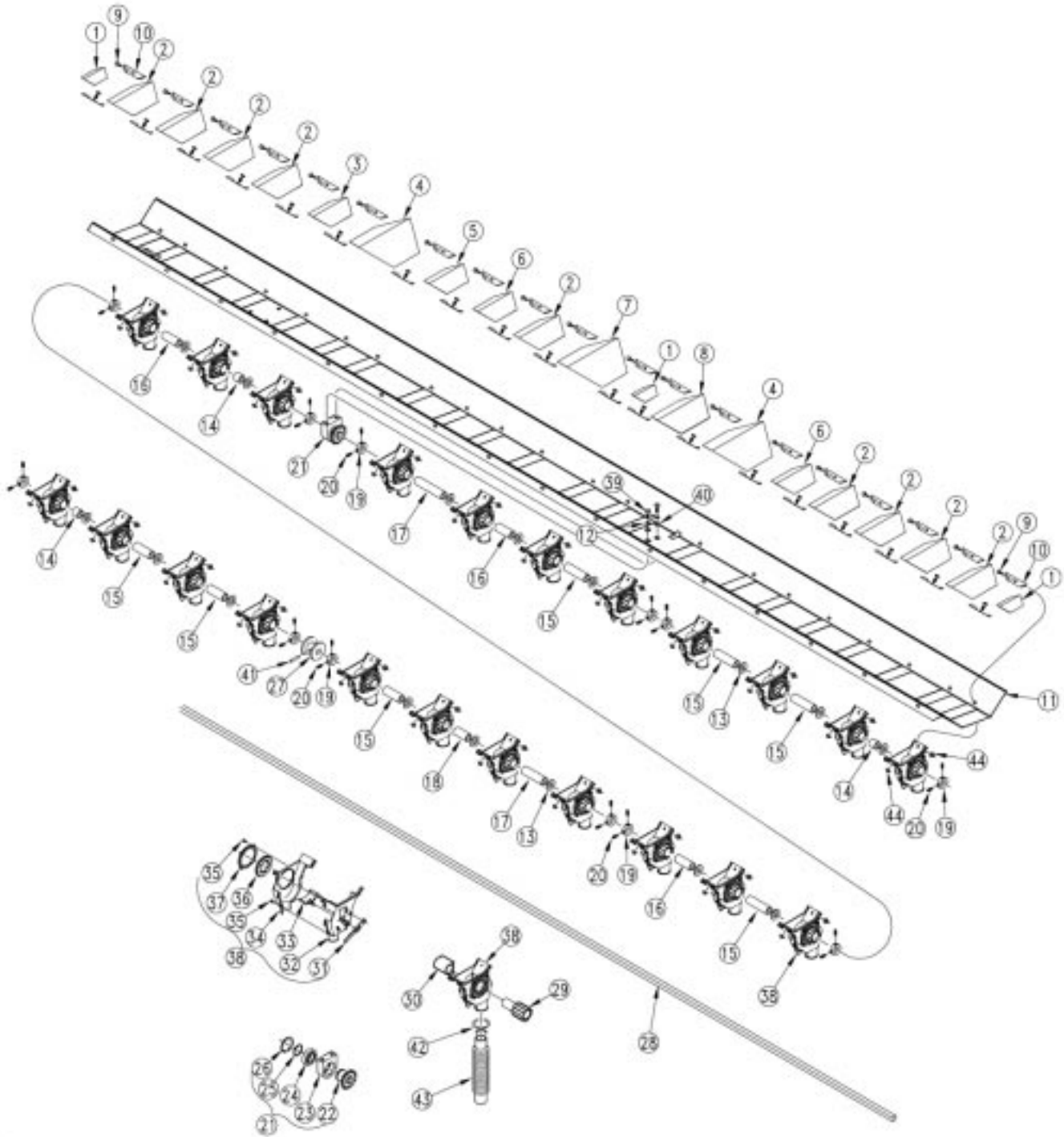
Ref.	Part No.	Part Description	Comments
1.	118-340D	5 5/8 BOX DVDR FOR 7 1/2 ROW	
2.	118-467D	7 1/16 BOX DIVIDER - 7 1/2	
3.	802-004C	HHCS 1/4-20X3/4 GR5	
4.	118-341D	2SNT SEED BOX DIVIDER CLIP	
5.	118-623D	3N-40 7.5 LH FEEDER CUP TRAY	
6.	804-013C	WASHER LOCK SPRING 3/8 PLT	
7.	804-031C	WASHER RETAINING	
8.	118-346D	SPACER TUBE X 4.078	
9.	890-350C	5/8 SHAFT LOCKING COLLAR	
10.	801-035C	SCREW SET 5/16-18 SKT KP X 3/8	
11.	118-226S	FEEDER CUP BEARING ASSEMBLY	
12.	118-508D	BEARING HUB 40A15	
13.	118-336D	FEEDER CUP BEARING HOUSING	
14.	822-103C	BRG 30MM B X 55MM OD	
15.	800-004C	SNAP RING EXT BASIC 1.880	
16.	800-107C	SNAP RING INT 2.165	
17.	109-091D	MACHINED ADJUSTMENT SPOOL	
18.	118-629D	3N-40 7.5 FD CUP SQ DRIVE BAR	
19.	890-190C	PM SEED CUP SPROCKET	
20.	817-074C	SEED CUP SLEEVE	
21.	817-071C	SEED CUP ADJUSTMENT HANDLE	
22.	817-069C	SEED CUP RIGHT HALF	
23.	817-070C	SEED CUP DOOR	
24.	817-068C	SEED CUP LEFT HALF	
25.	801-057C	SCR SELF TAP 8X3/8 TYPE25 BT	
26.	817-329C	NYLON WASHER	
27.	817-073C	SEED CUP WASHER RETAINER	
28.	817-075C	SEED CUP ASSEMBLY	
29.	802-014C	HHCS 3/8-16X3/4 GR5	
30.	804-012C	WASHER FLAT 3/8 SAE PLT	
31.	805-023C	PIN ROLL 3/16X1 1/4 PLT	
32.	800-009C	CLAMP HOSE 1 5/8 NO. 26	
33.	816-037C	END WHEEL FERTILIZER HOSE	
34.	803-194C	NUT HEX WHIZ 1/4-20 PLT	



**Legend:** ● = 1st revision; ● = 2nd revision; ● = 3rd revision; ● = use up existing stock; ⊗ = not interchangeable; ⊗ ① ● = for example: revision 2 is not interchangeable w/revision 1

## Feeder Cup Channel (Center 7.5")

---



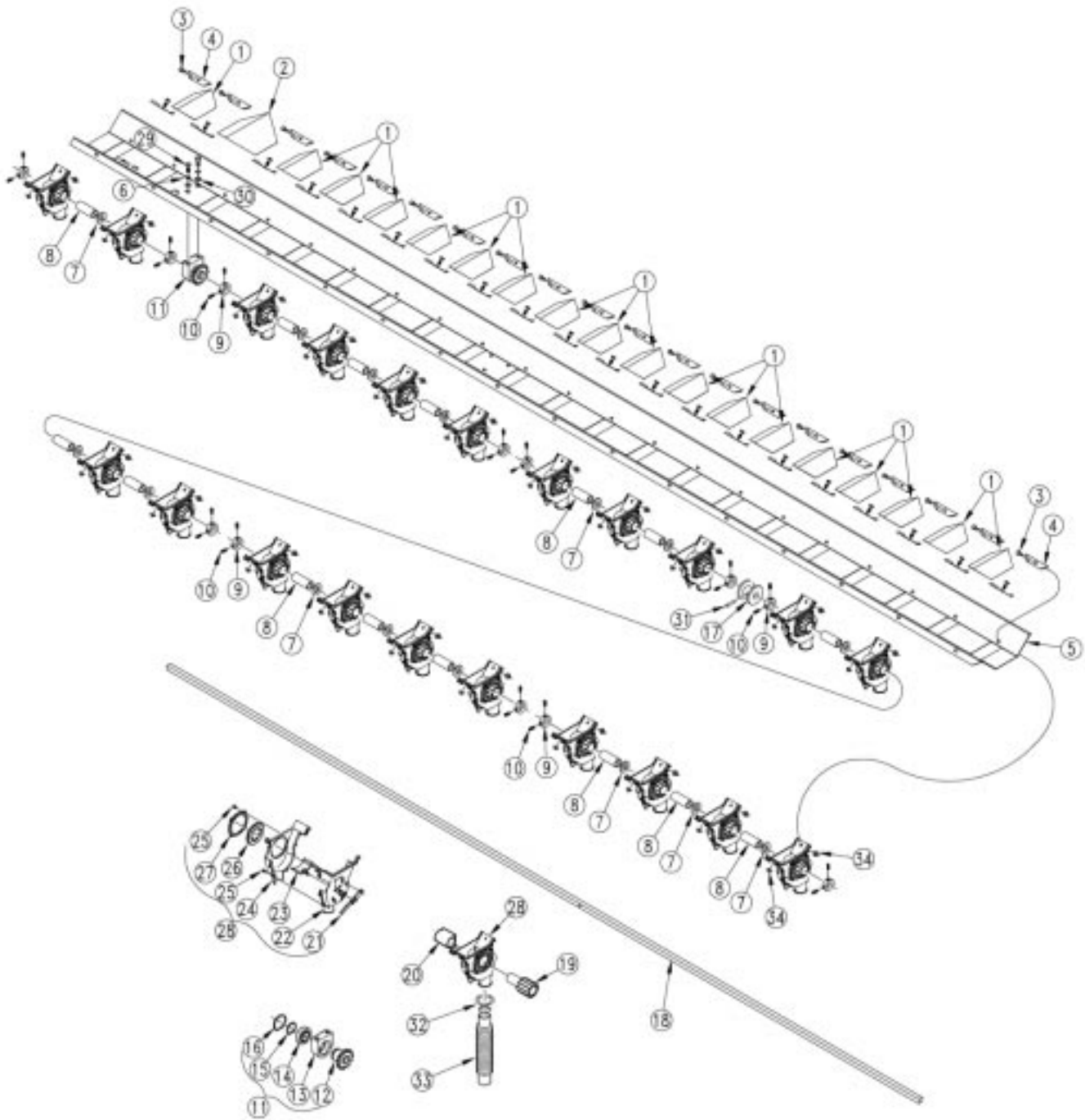
## Feeder Cup Channel (Center 7.5")

Ref.	Part No.	Part Description	Comments
1.	118-340D	5 5/8 BOX DVDR FOR 7 1/2 ROW	
2.	118-467D	7 1/16 BOX DIVIDER - 7 1/2	
3.	118-433D	BOX DVDR 4.00 X 60DEG	
4.	118-356D	BOX DIVIDER FOR 10 ROW	
5.	118-339D	4 13/16 BOX DVDR FOR 7 1/2 ROW	
6.	118-370D	4 5/8 BOX DVDR FOR 8 ROW	
7.	118-373D	7 5/8 BOX DVDR FOR 8 ROW	
8.	118-467D	7 1/16 BOX DIVIDER - 7 1/2	
9.	802-004C	HHCS 1/4-20X3/4 GR5	
10.	118-341D	2SNT SEED BOX DIVIDER CLIP	
11.	118-624D	3N-40 7.5 CEN FEEDER CUP TRAY	
12.	804-013C	WASHER LOCK SPRING 3/8 PLT	
13.	804-031C	WASHER RETAINING	
14.	118-443D	SPACER TUBE X 1.207	
15.	118-346D	SPACER TUBE X 4.078	
16.	118-376D	SPACER TUBE X 3.078	
17.	118-353D	SPACER TUBE X 6.578	
18.	118-436D	SPACER TUBE X 2.470	
19.	890-350C	5/8 SHAFT LOCKING COLLAR	
20.	801-035C	SCREW SET 5/16-18 SKT KP X 3/8	
21.	118-226S	FEEDER CUP BEARING ASSEMBLY	
22.	118-508D	BEARING HUB 40A15	
23.	118-336D	FEEDER CUP BEARING HOUSING	
24.	822-103C	BRG 30MM B X 55MM OD	
25.	800-004C	SNAP RING EXT BASIC 1.880	
26.	800-107C	SNAP RING INT 2.165	
27.	109-091D	MACHINED ADJUSTMENT SPOOL	
28.	118-629D	3N-40 7.5 FD CUP SQ DRIVE BAR	
29.	890-190C	PM SEED CUP SPROCKET	
30.	817-074C	SEED CUP SLEEVE	
31.	817-071C	SEED CUP ADJUSTMENT HANDLE	
32.	817-069C	SEED CUP RIGHT HALF	
33.	817-070C	SEED CUP DOOR	
34.	817-068C	SEED CUP LEFT HALF	
35.	801-057C	SCR SELF TAP 8X3/8 TYPE25 BT	
36.	817-329C	NYLON WASHER	
37.	817-073C	SEED CUP WASHER RETAINER	
38.	817-075C	SEED CUP ASSEMBLY	
39.	802-014C	HHCS 3/8-16X3/4 GR5	
40.	804-012C	WASHER FLAT 3/8 SAE PLT	
41.	805-023C	PIN ROLL 3/16X1 1/4 PLT	
42.	800-009C	CLAMP HOSE 1 5/8 NO. 26	
43.	816-037C	END WHEEL FERTILIZER HOSE	
44.	803-194C	NUT HEX WHIZ 1/4-20 PLT	

**Legend:** ● = 1st revision; ● = 2nd revision; ● = 3rd revision; ● = use up existing stock; ⊗ = not interchangeable; ⊗ ① ● = for example: revision 2 is not interchangeable w/revision 1

## Feeder Cup Channel (RH 7.5")

---



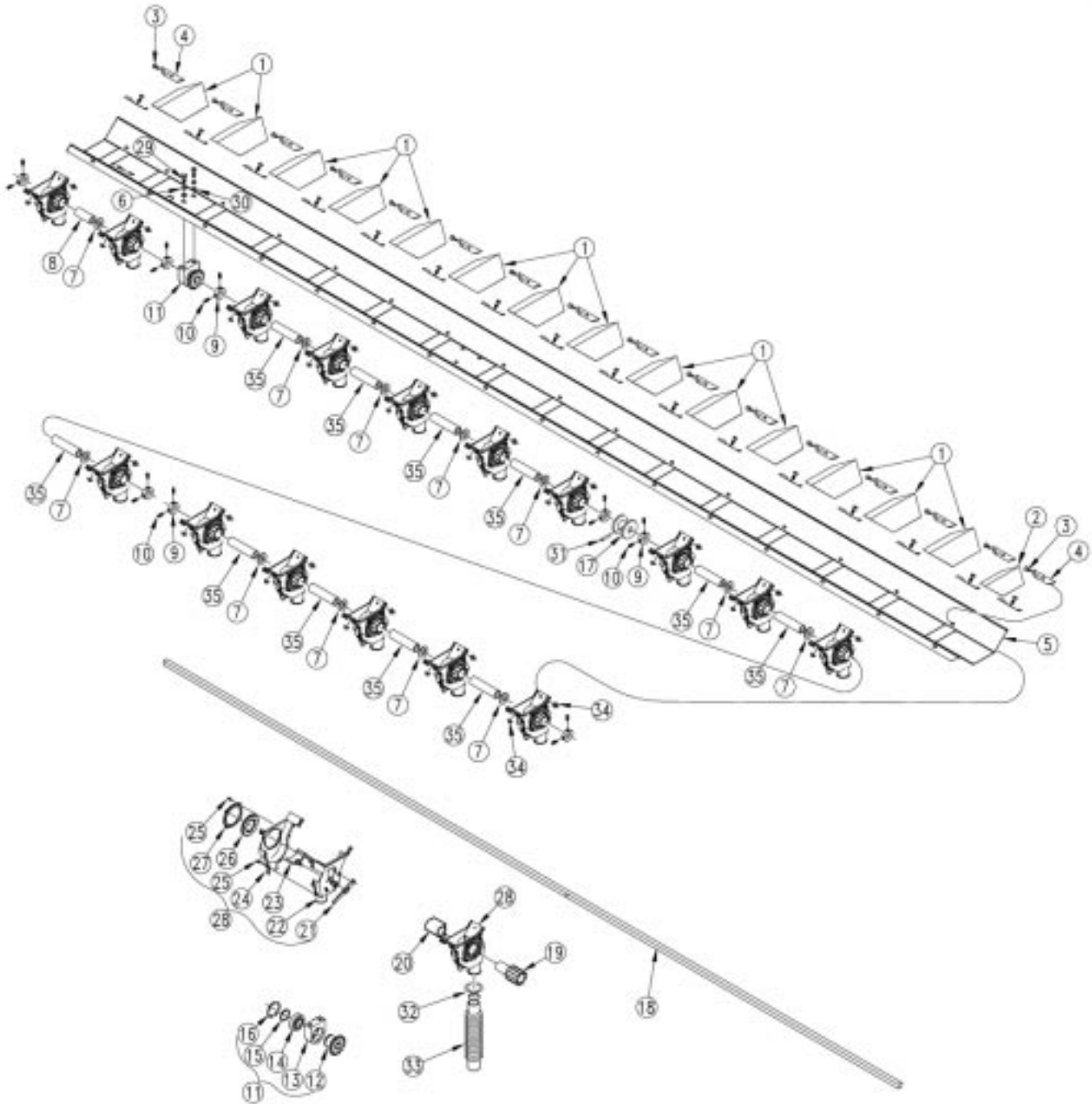
## Feeder Cup Channel (RH 7.5")

Ref.	Part No.	Part Description	Comments
1.	118-340D	5 5/8 BOX DVDR FOR 7 1/2 ROW	
2.	118-467D	7 1/16 BOX DIVIDER - 7 1/2	
3.	802-004C	HHCS 1/4-20X3/4 GR5	
4.	118-341D	2SNT SEED BOX DIVIDER CLIP	
5.	118-625D	3N-40 7.5 RH FEEDER CUP TRAY	
6.	804-013C	WASHER LOCK SPRING 3/8 PLT	
7.	804-031C	WASHER RETAINING	
8.	118-346D	SPACER TUBE X 4.078	
9.	890-350C	5/8 SHAFT LOCKING COLLAR	
10.	801-035C	SCREW SET 5/16-18 SKT KP X 3/8	
11.	118-226S	FEEDER CUP BEARING ASSEMBLY	
12.	118-508D	BEARING HUB 40A15	
13.	118-336D	FEEDER CUP BEARING HOUSING	
14.	822-103C	BRG 30MM B X 55MM OD	
15.	800-004C	SNAP RING EXT BASIC 1.880	
16.	800-107C	SNAP RING INT 2.165	
17.	109-091D	MACHINED ADJUSTMENT SPOOL	
18.	118-629D	3N-40 7.5 FD CUP SQ DRIVE BAR	
19.	890-190C	PM SEED CUP SPROCKET	
20.	817-074C	SEED CUP SLEEVE	
21.	817-071C	SEED CUP ADJUSTMENT HANDLE	
22.	817-069C	SEED CUP RIGHT HALF	
23.	817-070C	SEED CUP DOOR	
24.	817-068C	SEED CUP LEFT HALF	
25.	801-057C	SCR SELF TAP 8X3/8 TYPE25 BT	
26.	817-329C	NYLON WASHER	
27.	817-073C	SEED CUP WASHER RETAINER	
28.	817-075C	SEED CUP ASSEMBLY	
29.	802-014C	HHCS 3/8-16X3/4 GR5	
30.	804-012C	WASHER FLAT 3/8 SAE PLT	
31.	805-023C	PIN ROLL 3/16X1 1/4 PLT	
32.	800-009C	CLAMP HOSE 1 5/8 NO. 26	
33.	816-037C	END WHEEL FERTILIZER HOSE	
34.	803-194C	NUT HEX WHIZ 1/4-20 PLT	

**Legend:** ● = 1st revision; ● = 2nd revision; ● = 3rd revision; ● = use up existing stock; ⊗ = not interchangeable; ⊗ ① ● = for example: revision 2 is not interchangeable w/revision 1

# Feeder Cup Channel (LH 10")

---



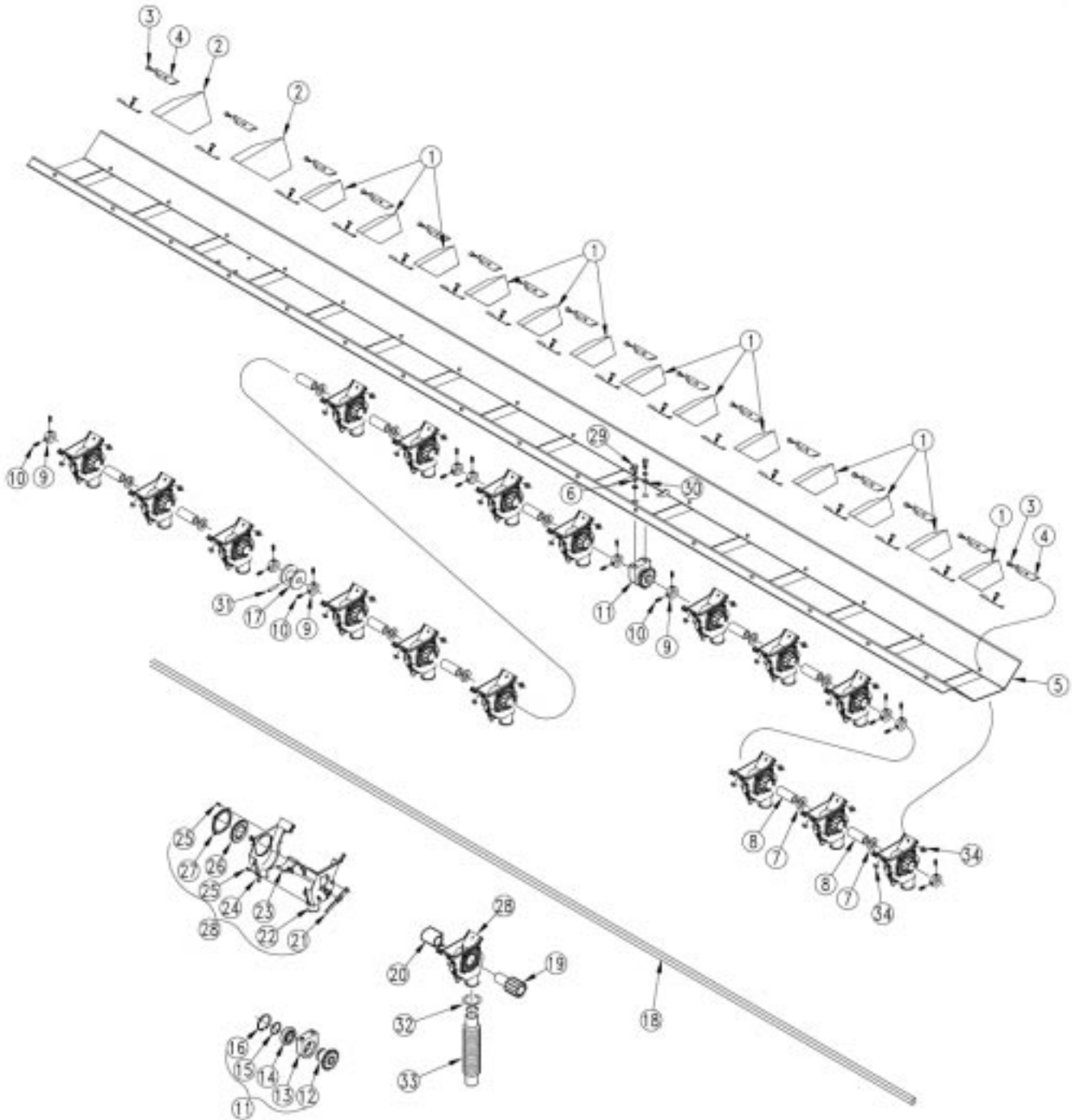
## Feeder Cup Channel (LH 10")

Ref.	Part No.	Part Description	Comments
1.	118-356D	BOX DIVIDER FOR 10 ROW	
2.	118-371D	BOX DVDR 5.31 X 60DEG	
3.	802-004C	HHCS 1/4-20X3/4 GR5	
4.	118-341D	2SNT SEED BOX DIVIDER CLIP	
5.	118-626D	3N-40 10 LH FEEDER CUP TRAY	
6.	804-013C	WASHER LOCK SPRING 3/8 PLT	
7.	804-031C	WASHER RETAINING	
8.	118-375D	SPACER TUBE X 3.766	
9.	890-350C	5/8 SHAFT LOCKING COLLAR	
10.	801-035C	SCREW SET 5/16-18 SKT KP X 3/8	
11.	118-226S	FEEDER CUP BEARING ASSEMBLY	
12.	118-508D	BEARING HUB 40A15	
13.	118-336D	FEEDER CUP BEARING HOUSING	
14.	822-103C	BRG 30MM B X 55MM OD	
15.	800-004C	SNAP RING EXT BASIC 1.880	
16.	800-107C	SNAP RING INT 2.165	
17.	109-091D	MACHINED ADJUSTMENT SPOOL	
18.	118-630D	3N-40 10 FD CUP SQ DRIVE BAR	
19.	890-190C	PM SEED CUP SPROCKET	
20.	817-074C	SEED CUP SLEEVE	
21.	817-071C	SEED CUP ADJUSTMENT HANDLE	
22.	817-069C	SEED CUP RIGHT HALF	
23.	817-070C	SEED CUP DOOR	
24.	817-068C	SEED CUP LEFT HALF	
25.	801-057C	SCR SELF TAP 8X3/8 TYPE25 BT	
26.	817-329C	NYLON WASHER	
27.	817-073C	SEED CUP WASHER RETAINER	
28.	817-075C	SEED CUP ASSEMBLY	
29.	802-014C	HHCS 3/8-16X3/4 GR5	
30.	804-012C	WASHER FLAT 3/8 SAE PLT	
31.	805-023C	PIN ROLL 3/16X1 1/4 PLT	
32.	800-009C	CLAMP HOSE 1 5/8 NO. 26	
33.	816-037C	END WHEEL FERTILIZER HOSE	
34.	803-194C	NUT HEX WHIZ 1/4-20 PLT	
35.	118-356D	BOX DIVIDER FOR 10 ROW	

**Legend:** ● = 1st revision; ● = 2nd revision; ● = 3rd revision; ● = use up existing stock; ⊗ = not interchangeable; ⊗ ① ● = for example: revision 2 is not interchangeable w/revision 1

## Feeder Cup Channel (Center 10")

---





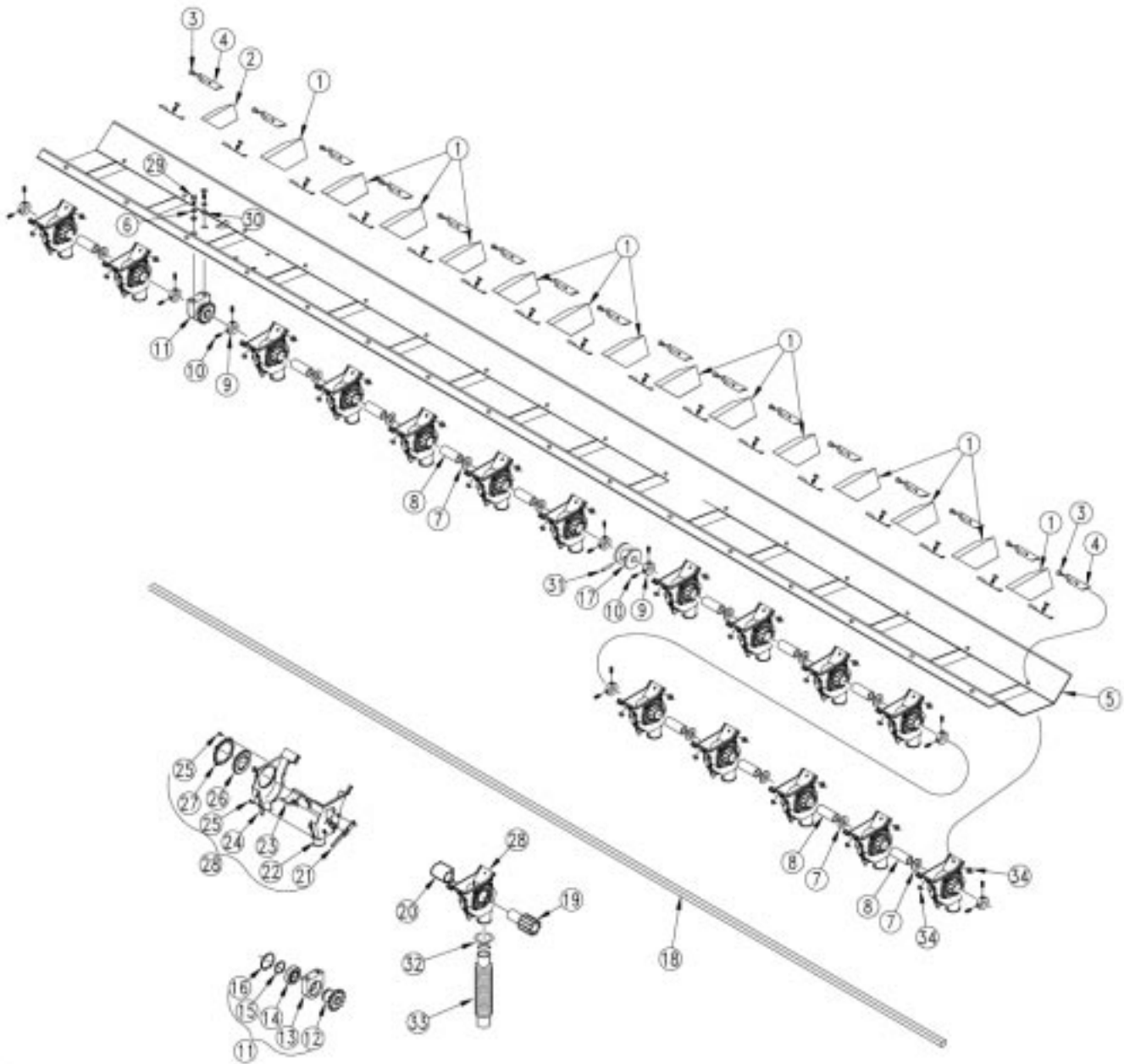
## Feeder Cup Channel (Center 10")

Ref.	Part No.	Part Description	Comments
1.	118-356D	BOX DIVIDER FOR 10 ROW	
2.	118-470D	BOX DVDR 7.75 X 60DEG	
3.	802-004C	HHCS 1/4-20X3/4 GR5	
4.	118-341D	2SNT SEED BOX DIVIDER CLIP	
5.	118-627D	3N-40 10 CEN FEEDER CUP TRAY	
6.	804-013C	WASHER LOCK SPRING 3/8 PLT	
7.	804-031C	WASHER RETAINING	
8.	118-353D	SPACER TUBE X 6.578	
9.	890-350C	5/8 SHAFT LOCKING COLLAR	
10.	801-035C	SCREW SET 5/16-18 SKT KP X 3/8	
11.	118-226S	FEEDER CUP BEARING ASSEMBLY	
12.	118-508D	BEARING HUB 40A15	
13.	118-336D	FEEDER CUP BEARING HOUSING	
14.	822-103C	BRG 30MM B X 55MM OD	
15.	800-004C	SNAP RING EXT BASIC 1.880	
16.	800-107C	SNAP RING INT 2.165	
17.	109-091D	MACHINED ADJUSTMENT SPOOL	
18.	118-629D	3N-40 7.5 FD CUP SQ DRIVE BAR	
19.	890-190C	PM SEED CUP SPROCKET	
20.	817-074C	SEED CUP SLEEVE	
21.	817-071C	SEED CUP ADJUSTMENT HANDLE	
22.	817-069C	SEED CUP RIGHT HALF	
23.	817-070C	SEED CUP DOOR	
24.	817-068C	SEED CUP LEFT HALF	
25.	801-057C	SCR SELF TAP 8X3/8 TYPE25 BT	
26.	817-329C	NYLON WASHER	
27.	817-073C	SEED CUP WASHER RETAINER	
28.	817-075C	SEED CUP ASSEMBLY	
29.	802-014C	HHCS 3/8-16X3/4 GR5	
30.	804-012C	WASHER FLAT 3/8 SAE PLT	
31.	805-023C	PIN ROLL 3/16X1 1/4 PLT	
32.	800-009C	CLAMP HOSE 1 5/8 NO. 26	
33.	816-037C	END WHEEL FERTILIZER HOSE	
34.	803-194C	NUT HEX WHIZ 1/4-20 PLT	

**Legend:** ● = 1st revision; ● = 2nd revision; ● = 3rd revision; ● = use up existing stock; ⊗ = not interchangeable; ⊗ ① ● = for example: revision 2 is not interchangeable w/revision 1

## Feeder Cup Channel (RH 10")

---



## Feeder Cup Channel (RH 10")

Ref.	Part No.	Part Description	Comments
1.	118-356D	BOX DIVIDER FOR 10 ROW	
2.	118-371D	BOX DVDR 5.31 X 60DEG	
3.	802-004C	HHCS 1/4-20X3/4 GR5	
4.	118-341D	2SNT SEED BOX DIVIDER CLIP	
5.	118-628D	3N-40 10 RH FEEDER CUP TRAY	
6.	804-013C	WASHER LOCK SPRING 3/8 PLT	
7.	804-031C	WASHER RETAINING	
8.	118-353D	SPACER TUBE X 6.578	
9.	890-350C	5/8 SHAFT LOCKING COLLAR	
10.	801-035C	SCREW SET 5/16-18 SKT KP X 3/8	
11.	118-226S	FEEDER CUP BEARING ASSEMBLY	
12.	118-508D	BEARING HUB 40A15	
13.	118-336D	FEEDER CUP BEARING HOUSING	
14.	822-103C	BRG 30MM B X 55MM OD	
15.	800-004C	SNAP RING EXT BASIC 1.880	
16.	800-107C	SNAP RING INT 2.165	
17.	109-091D	MACHINED ADJUSTMENT SPOOL	
18.	118-629D	3N-40 7.5 FD CUP SQ DRIVE BAR	
19.	890-190C	PM SEED CUP SPROCKET	
20.	817-074C	SEED CUP SLEEVE	
21.	817-071C	SEED CUP ADJUSTMENT HANDLE	
22.	817-069C	SEED CUP RIGHT HALF	
23.	817-070C	SEED CUP DOOR	
24.	817-068C	SEED CUP LEFT HALF	
25.	801-057C	SCR SELF TAP 8X3/8 TYPE25 BT	
26.	817-329C	NYLON WASHER	
27.	817-073C	SEED CUP WASHER RETAINER	
28.	817-075C	SEED CUP ASSEMBLY	
29.	802-014C	HHCS 3/8-16X3/4 GR5	
30.	804-012C	WASHER FLAT 3/8 SAE PLT	
31.	805-023C	PIN ROLL 3/16X1 1/4 PLT	
32.	800-009C	CLAMP HOSE 1 5/8 NO. 26	
33.	816-037C	END WHEEL FERTILIZER HOSE	
34.	803-194C	NUT HEX WHIZ 1/4-20 PLT	

**Legend:** ● = 1st revision; ● = 2nd revision; ● = 3rd revision; ● = use up existing stock; ⊗ = not interchangeable; ⊗ ① ● = for example: revision 2 is not interchangeable w/revision 1

## 10 Series Opener Arms & Mounts

---

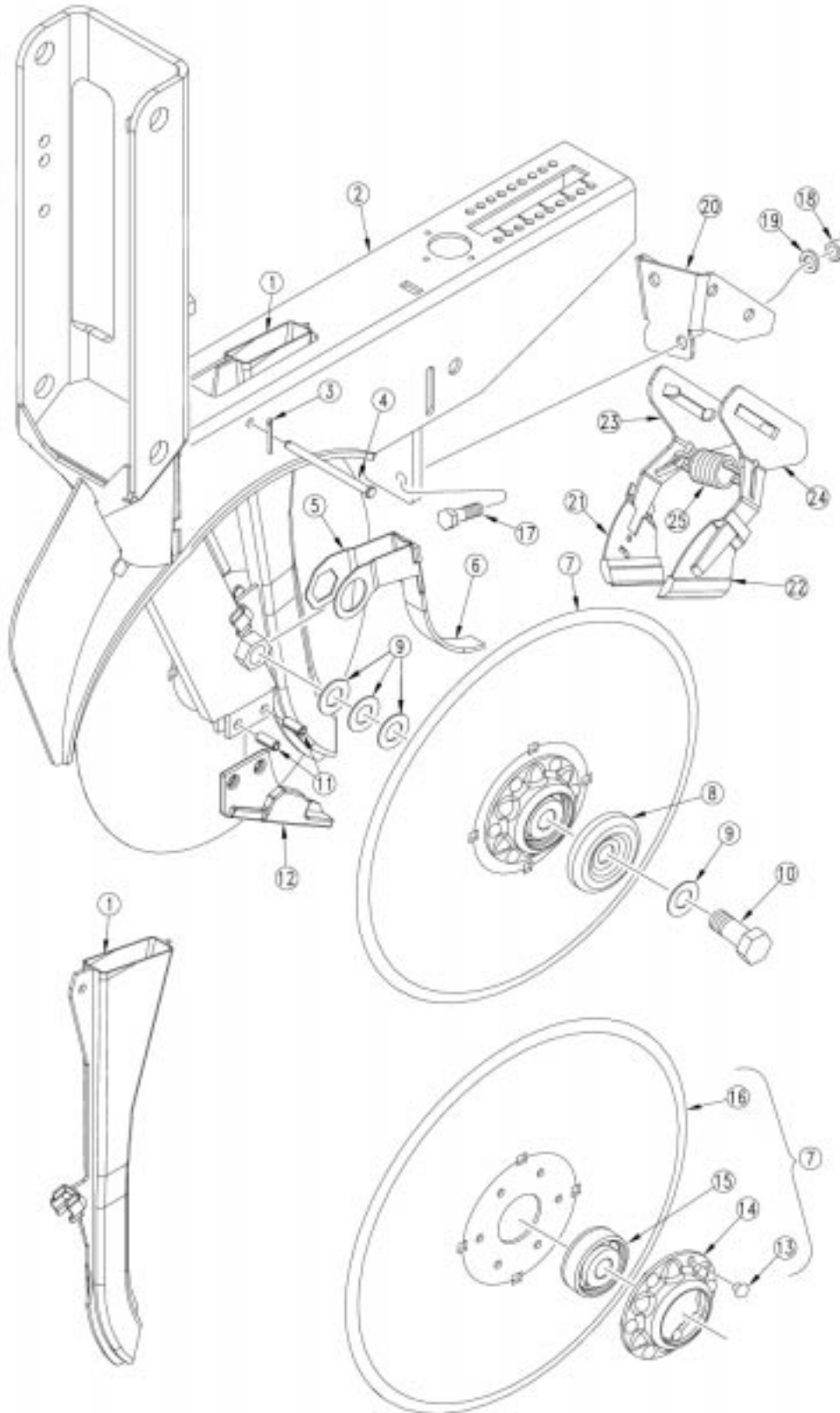


## 10 Series Opener Arms & Mounts

Ref.	Part No.	Part Description	Comments
1.	802-419C	HFS 1/2-13X5 3/4	
2.	803-169C	NUT HEX FLG. LOCK 1/2-13 PLT.	
3.	198-246D	SING OPENER INNER PIVOT TUBE	
4.	817-084C	PARALLEL ARM PIVOT BUSHING	
5.	198-619H	SING OPENER LOWER ARM WELDMENT	
6.	807-116C	SPRING EXT 1 5/8OD X 6.6X.177	
7.	198-239D	6 15/16 SPRING STRAP	
8.	198-618H	SING OPENER UPPER ARM WELDMENT	
9.	198-614H	PSS OPENER MOUNT REAR WLDMT	
10.	198-613H	PSS OPENER MOUNT FRONT WLDMT	
11.	806-053C	U-BOLT 5/8-11 X 7 1/32 X 6 1/2	
12.	804-022C	WASHER LOCK SPRING 5/8 PLT	
13.	803-021C	NUT HEX 5/8-11 PLT	
14.	122-172D	10P 20P UP FLOAT LIMITER	Center frame openers only
15.	802-274C	HHCS 1/4-20X3 GR5	
16.	803-007C	NUT LOCK 1/4-20 PLT	
17.	816-037C	END WHEEL FERTILIZER HOSE	
18.	801-002C	SCREW HEX SLT10-16X1/2P.THD CT	
19.	196-849D	3N-40 SEED HOSE CLAMP PLATE	

## 10 Series Opener Body

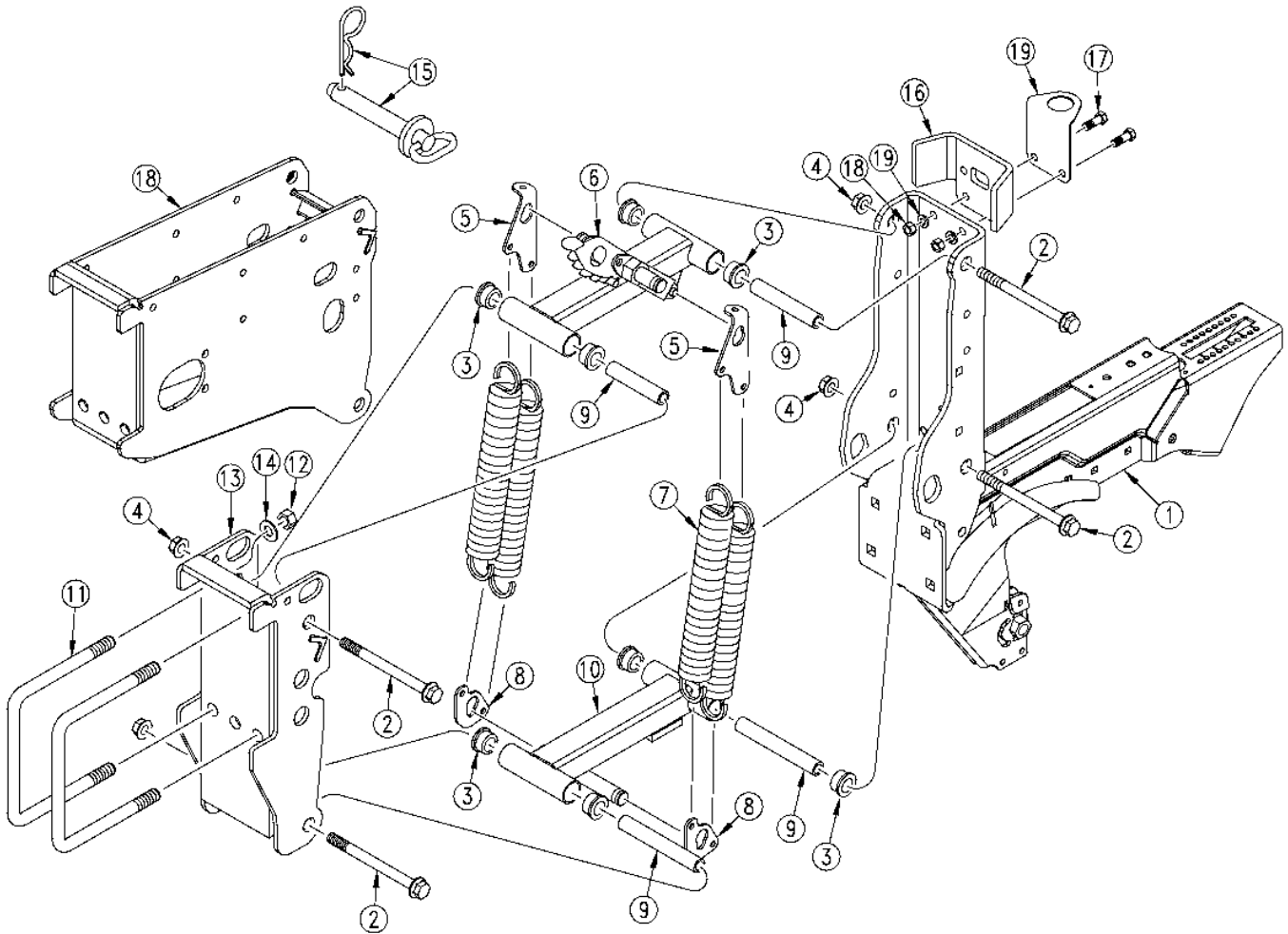
---



## 10 Series Opener Body

Ref.	Part No.	Part Description	Comments
1.	817-530C	3N-40 SEED TUBE NO SENSOR HOLE	
2.	198-616H	10 SERIES SINGULATING OPENER	
3.	805-063C	PIN COTTER 3/32 X 1 LONG	
4.	805-299C	PIN CLEVIS 1/4 X 3 23/64 USBL	
5.	198-241D	SEED FLAP MOUNTING CLIP, SING	
6.	816-302C	SEED FLAP, RUBBER, SEED-LOK	
	817-349C	SEED FLAP, UHMW, LONG	
7.	107-138S	DD W/205 BRG-PLD FLNG-4MM	
8.	107-111D	DD BRG FLANGE DUST COVER	
9.	804-040C	WASHER MACH 1.19 X .63 X 18GA	
10.	802-228C	HHCS 5/8-11X1 1/2 GR5 NYL	
11.	805-335C	PIN ROLL 5/16 X 5/8 PLT	
12.	812-309C	SCRAPER-SPREADER 10-20SER 2003	
13.	800-213C	RIVET,BUTTON HEAD 1/4 X 1/2	
14.	890-466C	RIBB BRG FLNG .266 MT HOLE PLT	
15.	188-001V	BEARING AA205DD	
16.	820-256C	FLAT DISK BLADE-4MM THICK	
17.	802-079C	HHCS 3/8-16X1 1/4 GR5	
18.	803-014C	NUT HEX 3/8-16 PLT	
19.	804-013C	WASHER LOCK SPRING 3/8 PLT	
20.	122-169D	10P AD OUTSIDE SCRAPER MOUNT	
21.	AD21010	AIR DESIGN SCRAPER J.D.2.5W RH	
22.	AD21011	AIR DESIGN SCRAPER J.D.2.5W LH	
23.	AD21012	AIR DESIGN SCRAPER J.D.MNT RH	
24.	AD21013	AIR DESIGN SCRAPER J.D.MNT LH	
25.	AD21014	AIR DESIGN SCRAPER J.D.SPRING	

# HD10 Series Opener Arms & Mounts

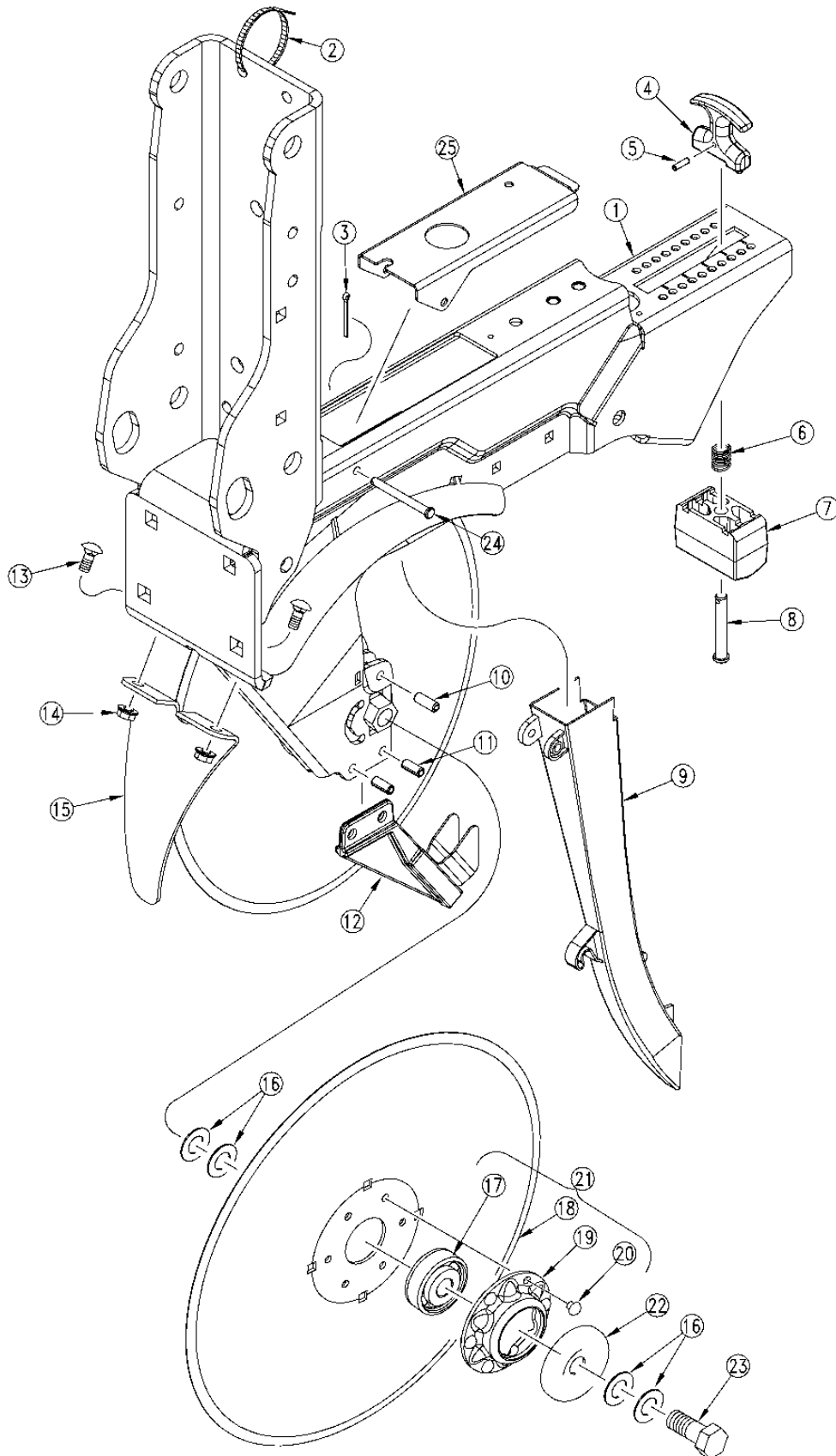




## HD10 Series Opener Arms & Mounts

Ref.	Part No.	Part Description	Comments
1.	298-855H	HD10P OPENER WELDMENT	
2.	802-745C	HFS 1/2-13X6 1/8GR5 PLT	
3.	817-084C	PARALLEL ARM PIVOT BUSHING	
4.	803-169C	NUT HEX FLG. LOCK 1/2-13 PLT.	
5.	198-292D	25P UPPER SPRING LINK	
6.	298-513H	25 SERIES UPPER PARALLEL ARM	
7.	807-076C	SPRING EXT 1.575 OD X .225 W	
8.	198-293D	25P LOWER SPRING LINK	
9.	198-295D	25P REAR OPENER INNER PIVOT TB	
10.	298-510H	25 SERIES LOWER PARALLEL ARM	
11.	806-053C	U-BOLT 5/8-11 X 7 1/32 X 6 1/2	
12.	803-021C	NUT HEX 5/8-11 PLT	
13.	298-884H	25P FRONT OPENER MOUNT WELDMT	
14.	804-022C	WASHER LOCK SPRING 5/8 PLT	
15.	805-033C	PIN HITCH 1 X 6 W/HAIRPIN	
16.	122-173D	25P UP FLOAT LIMITER	
17.	802-079C	HHCS 3/8-16X1 1/4 GR5	
18.	298-856H	HD10P REAR OPENER MOUNT WELDMT	
19.	198-319D	SEED TUBE GUIDE	

# HD10 Series Opener Body



23356

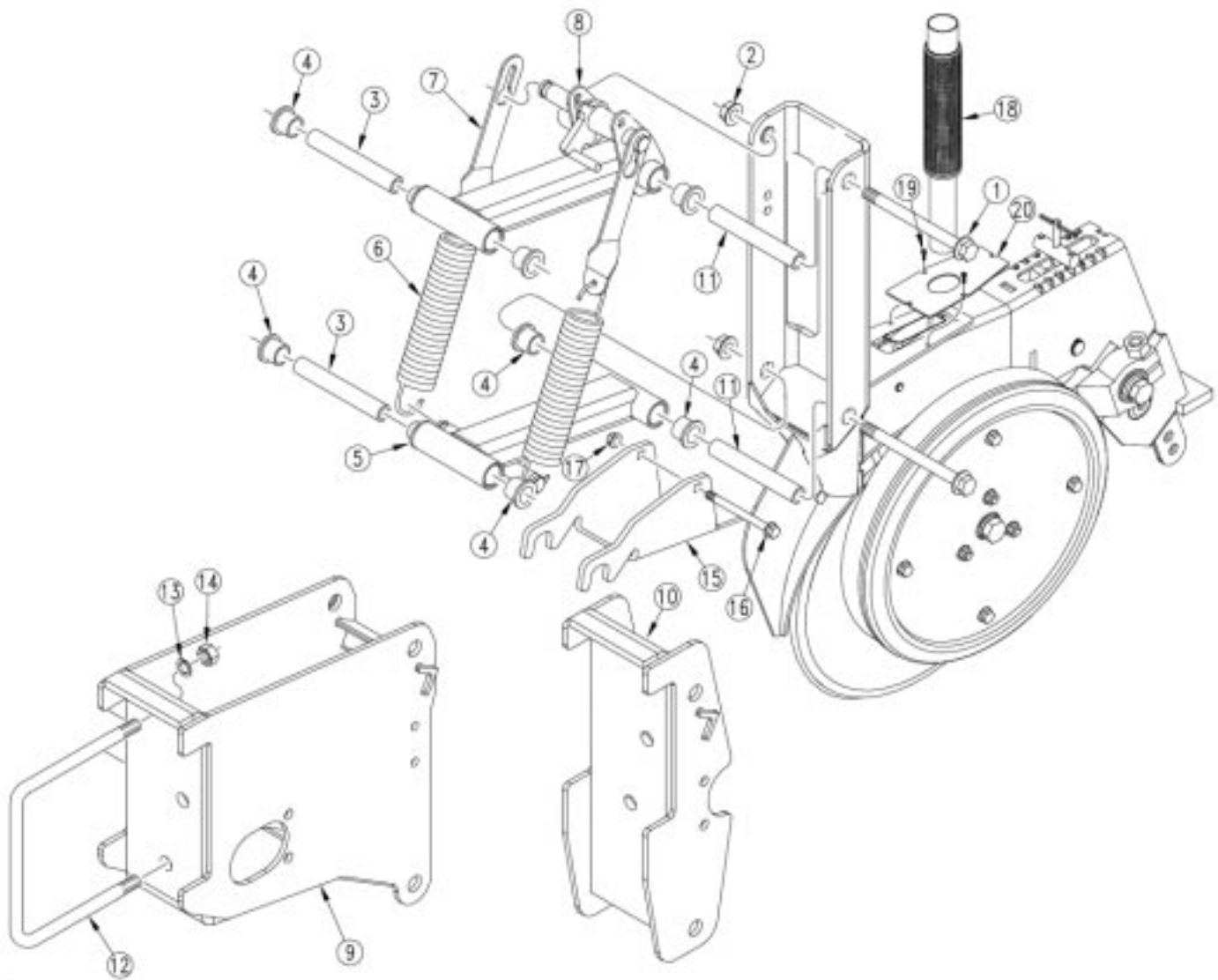
## HD10 Series Opener Body

Ref.	Part No.	Part Description	Comments
1.	298-855H	HD10P OPENER WELDMENT	
2.	800-112C	CABLE TIE .19X7.25 1.75D 50LB	
3.	805-063C	PIN COTTER 3/32 X 1 LONG	
4.	817-328C	T-HANDLE ASSEMBLY	
5.	805-186C	PIN ROLL 5/32 X 5/8 PLT	
6.	807-106C	SPRING .540 O.D.X 1 1/4 X.054W	
7.	817-347C	OPENER TRUNION	
8.	805-154C	PIN CLEVIS 3/8 X 2 1/8 USABLE	
9.	817-606C	SEED TUBE WITHOUT SENSOR HOLE	
10.	805-250C	PIN ROLL 5/16 X 7/8	
11.	805-280C	PIN ROLL 5/16 X 3/4 PLT	
12.	404-170H	25P SCRAPER SEPARATOR WLDMT	
13.	802-092C	RHSNB 5/16-18X3/4 GR5	
14.	803-043C	NUT HEX WHIZ 5/16-18 PLT	
15.	404-139D	SHIELD, DISK	
16.	804-040C	WASHER MACH 1.19 X .63 X 18GA	
17.	188-001V	BEARING AA205DD	
18.	820-287C	4.0 MM 15 DISK (21 DEG BEVEL)	
19.	890-466C	RIBB BRG FLNG .266 MT HOLE PLT	
20.	800-213C	RIVET,BUTTON HEAD 1/4 X 1/2	
21.	404-121S	4.0 MM 15 DISC W/ 5/8 ASSY	
22.	107-111D	DD BRG FLANGE DUST COVER	
23.	802-228C	HHCS 5/8-11X1 1/2 GR5 NYL	
24.	805-190C	PIN CLEVIS 1/4 X 2 55/64 USBL	
25.	198-318D	HD10 OPENER SEED TUBE TOP CAP	

**Legend:** ● = 1st revision; ● = 2nd revision; ● = 3rd revision; ● = use up existing stock; ⊗ = not interchangeable; ⊗ ① ● = for example: revision 2 is not interchangeable w/revision 1

## 20 Series Opener Arms & Mounts

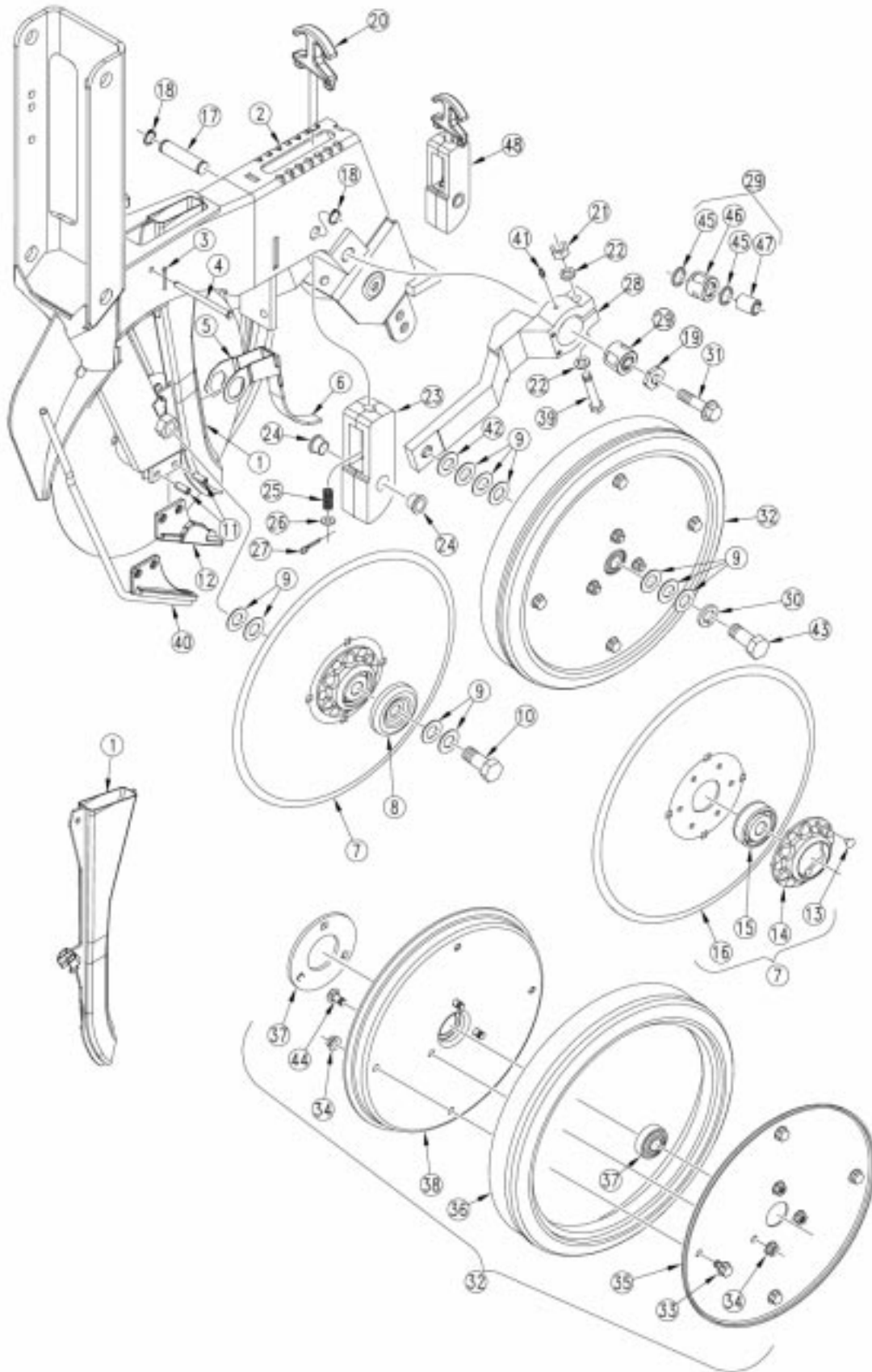
---



## 20 Series Opener Arms & Mounts

Ref.	Part No.	Part Description	Comments
1.	802-419C	HFS 1/2-13X5 3/4	
2.	803-169C	NUT HEX FLG. LOCK 1/2-13 PLT.	
3.	198-246D	SING OPENER INNER PIVOT TUBE	
4.	817-084C	PARALLEL ARM PIVOT BUSHING	
5.	198-619H	SING OPENER LOWER ARM WELDMENT	
6.	① 807-116C	<b>SPRING EXT 1 5/8OD X 6.6X.177</b>	<b>Used with 1x12 Press Wheels</b>
	② 807-251C	<b>SPRING EXT 1.625ODX.243X9.875</b>	<b>Used with 1x10 Press Wheels</b>
	① 807-076C	<b>SPRING EXT 1.575 OD X .225 W</b>	<b>Used with 1x10 Press Wheels</b>
7.	198-239D	6 15/16 SPRING STRAP	Used with 807-116C (1x12 Press Wheels)
	198-240D	3 13/32 SPRING STRAP	Used with 807-076C & 807-251C (1x10 Press Wheels)
8.	198-618H	SING OPENER UPPER ARM WELDMENT	
9.	198-614H	PSS OPENER MOUNT REAR WLDMT	
10.	198-613H	PSS OPENER MOUNT FRONT WLDMT	
11.	198-247D	20 SER SING FRT INNER PIVOT TB	
12.	806-053C	U-BOLT 5/8-11 X 7 1/32 X 6 1/2	
13.	804-022C	WASHER LOCK SPRING 5/8 PLT	
14.	803-021C	NUT HEX 5/8-11 PLT	
15.	122-172D	10P 20P UP FLOAT LIMITER	Center frame openers only
16.	802-274C	HHCS 1/4-20X3 GR5	
17.	803-007C	NUT LOCK 1/4-20 PLT	
18.	816-037C	END WHEEL FERTILIZER HOSE	
19.	801-002C	SCREW HEX SLT10-16X1/2P.THD CT	
20.	196-849D	3N-40 SEED HOSE CLAMP PLATE	

## 20 Series Opener Body



20485

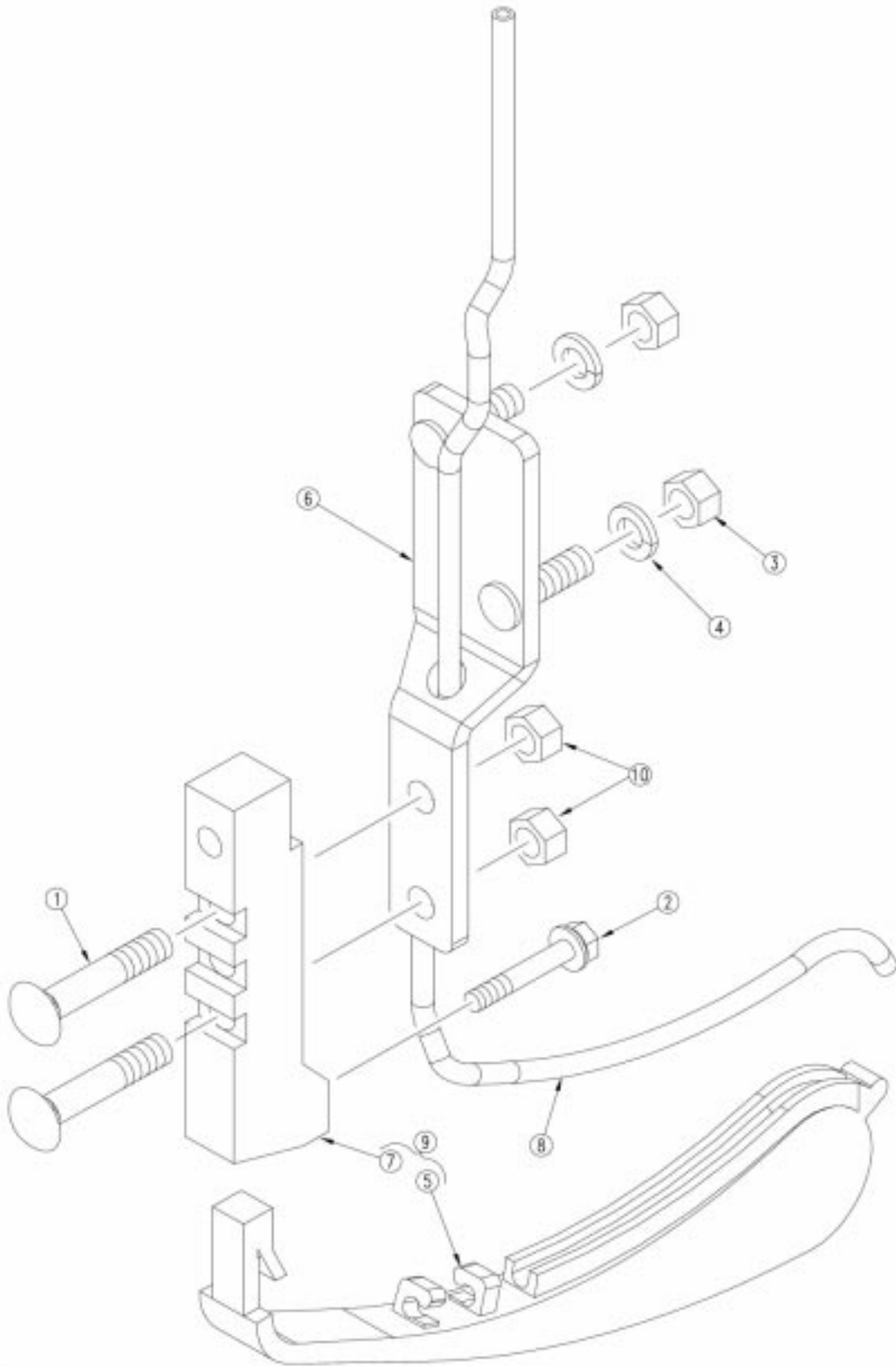
## 20 Series Opener Body

Ref.	Part No.	Part Description	Comments
1.	817-530C	3N-40 SEED TUBE NO SENSOR HOLE	
2.	198-615H	20 SERIES SINGULATING OPENER	
3.	805-063C	PIN COTTER 3/32 X 1	
4.	805-296C	PIN CLEVIS 1/4 X 1 31/64 USBL	
5.	198-241D	SEED FLAP MOUNTING CLIP, SING	
6.	816-302C	SEED FLAP, RUBBER, SEED-LOK	Used with Seed-Lok (shown).
	817-349C	SEED FLAP, UHMW, LONG	Used without Seed-Lok.
7.	107-133S	D.D. W/ 205 BRG ASSY-PLT FLNG	Includes 13-16
8.	107-138S	DD W/205 BRG-PLD FLNG-4MM	
9.	804-040C	WASHER MACH 1.19 X .63 X 18GA	
10.	802-228C	HHCS 5/8-11X1 1/2 GR5 NYL	
11.	805-335C	PIN ROLL 5/16 X 5/8 PLT	
12.	812-309C	SCRAPER-SPREADER 10-20SER 2003	
13.	800-213C	RIVET,BUTTON HEAD 1/4 X 9/16	
14.	890-466C	RIBB BRG FLNG .266 MT HOLE PLT	
15.	188-001V	BEARING AA205DD	
16.	820-256C	FLAT DISK BLADE-4MM THICK	
17.	198-202D	20 SER OPNR CAM PIN	
18.	800-118C	SNAP RING EXT 5/8 .050 T	
19.	298-324S	20P DPTH WHL ECCENTRIC ADJUSTR.	
20.	812-302C	CASTING - STAINLESS T-HANDLE	
21.	803-307C	NUT HEX 7/16-20 GR8	
22.	804-014C	WASHER LOCK 7/16 PLT	
23.	198-201D	20 SER OPNR PW CAM	
24.	817-083C	PRESS WHEEL ARM PIVOT BUSHING	
25.	807-172C	SPRING COMP 5/8 OD X 1 3/4 LG	
26.	804-012C	WASHER FLAT 3/8 SAE PLT	
27.	805-067C	PIN COTTER 1/8 X 3/4	
28.	198-265D	20P SIDE DEPTH WHEEL ARM	
29.	198-999S	20P LH ELIMINATOR BUSHING ASSY	Includes 45-47
	198-998S	20P RH ELIMINATOR BUSHING ASSY	Includes 45-47
30.	804-022C	WASHER LOCK SPRING 5/8 PLT	
31.	802-179C	HHCS 5/8-11X2 1/2 GR5 NYL	
32.	198-057S	2X13 DEPTH WHEEL ASSY	Includes 33-38, 44
33.	802-352C	HFSS 5/16-18X1/2 GR5	
34.	803-043C	NUT HEX WHIZ 5/16-18 PLT	
35.	814-082C	2X13 D.W. OUTER RIM HALF	
36.	814-083C	2X13 SIDE DEPTH TIRE	
37.	198-183D	20 SER SIDE DEPTH WL STIFF PLT	
38.	814-081C	2X13 D.W. INNER RIM HALF	
39.	802-694C	HHCS 7/16-20 2 3/4 GR8	
40.	122-257H	SEP &FERT TUBE 10-20SER 1999	Option
41.	800-001C	GREASE ZERK STRAIGHT 1/4-28	
42.	804-195C	WASHER FLAT 1.31ODX.65IDX.188T	
43.	802-430C	HHCS 5/8-11X2 GR5 NYL	
44.	802-092C	RHSNB 5/16-18X3/4 GR5	
45.	816-414C	O-RING SQUARE 1IDX1 1/4ODX1/8	
46.	198-267D	20P DEPTH WHL OUTER BUSHING	
47.	198-266D	20P DEPTH WHL ECCENTRIC BUSHNG	
48.	198-956K	20 SER OPENER T-HANDLE SUBASSY	Includes 20, 23-27

**Legend:** ● = 1st revision; ● = 2nd revision; ● = 3rd revision; ● = use up existing stock; ⊗ = not interchangeable; ⊗ ⊕ ● = for example: revision 2 is not interchangeable w/revision 1

## 10 & 20 Series Keeton Seed Firmer (Option)

---

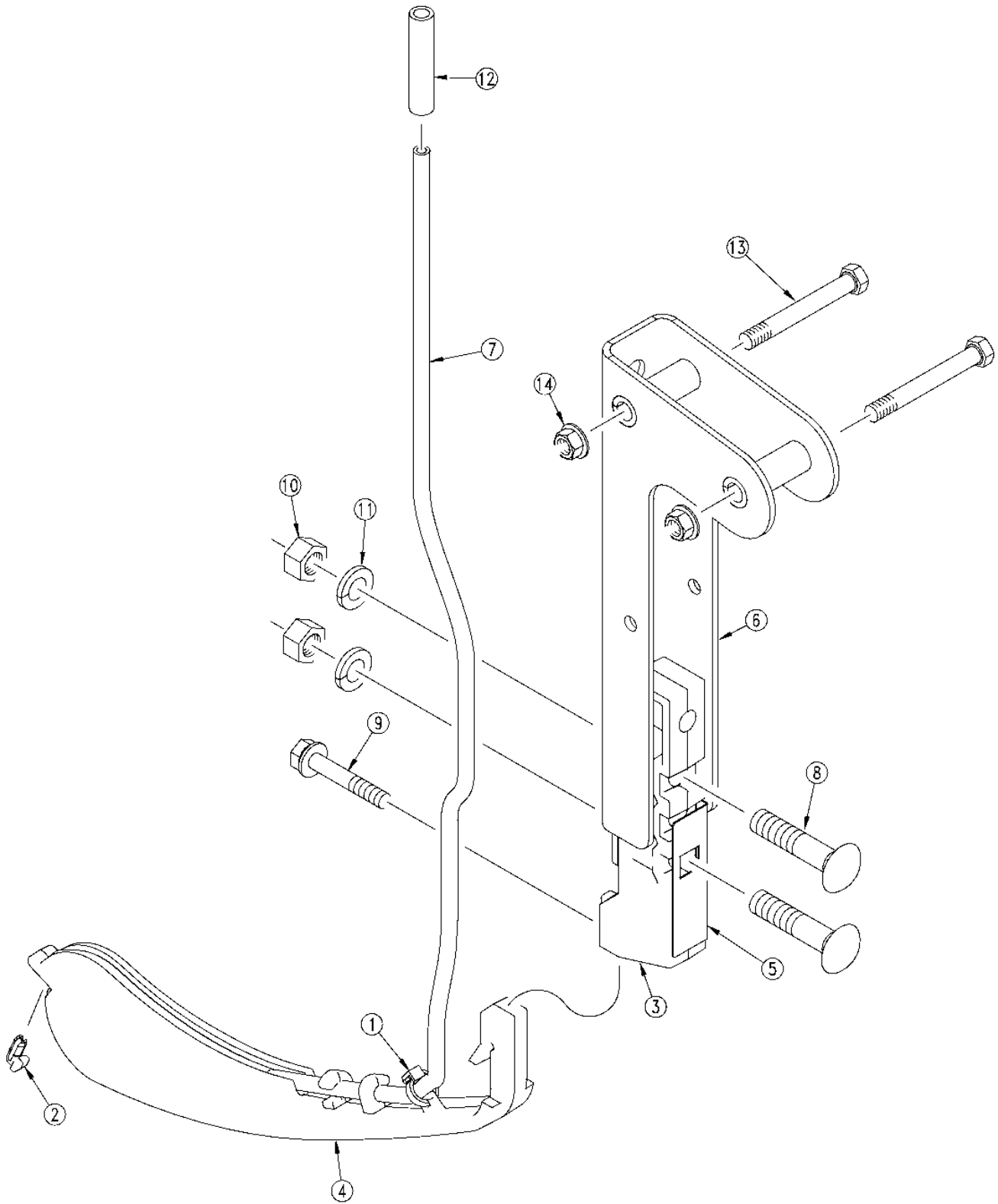




## 10 & 20 Series Keeton Seed Firmer (Option)

Ref.	Part No.	Part Description	Comments
1.	802-411C	RHSNB 3/8-16X2 GR5	
2.	802-617C	HHFS 1/4-20 X 1 1/2 GR 5	
3.	803-014C	NUT HEX 3/8-16 PLT	
4.	804-013C	WASHER LOCK SPRING 3/8 PLT	
5.	129BXT810	KEETON FIRMER	
6.	150GP022E	STEEL MOUNTING BRACKET	
7.	129BXT811	KEETON POLY BRACKET	
8.	900TUBEBL	KEETON FERTILIZER TUBE	
9.	129BXT800	KEETON REPLCMNT FIRMERW/TUBING	
10.	803-013C	NUT LOCK 3/8-16 PLT	

## HD10 Series Keeton Seed Firmer (Option)

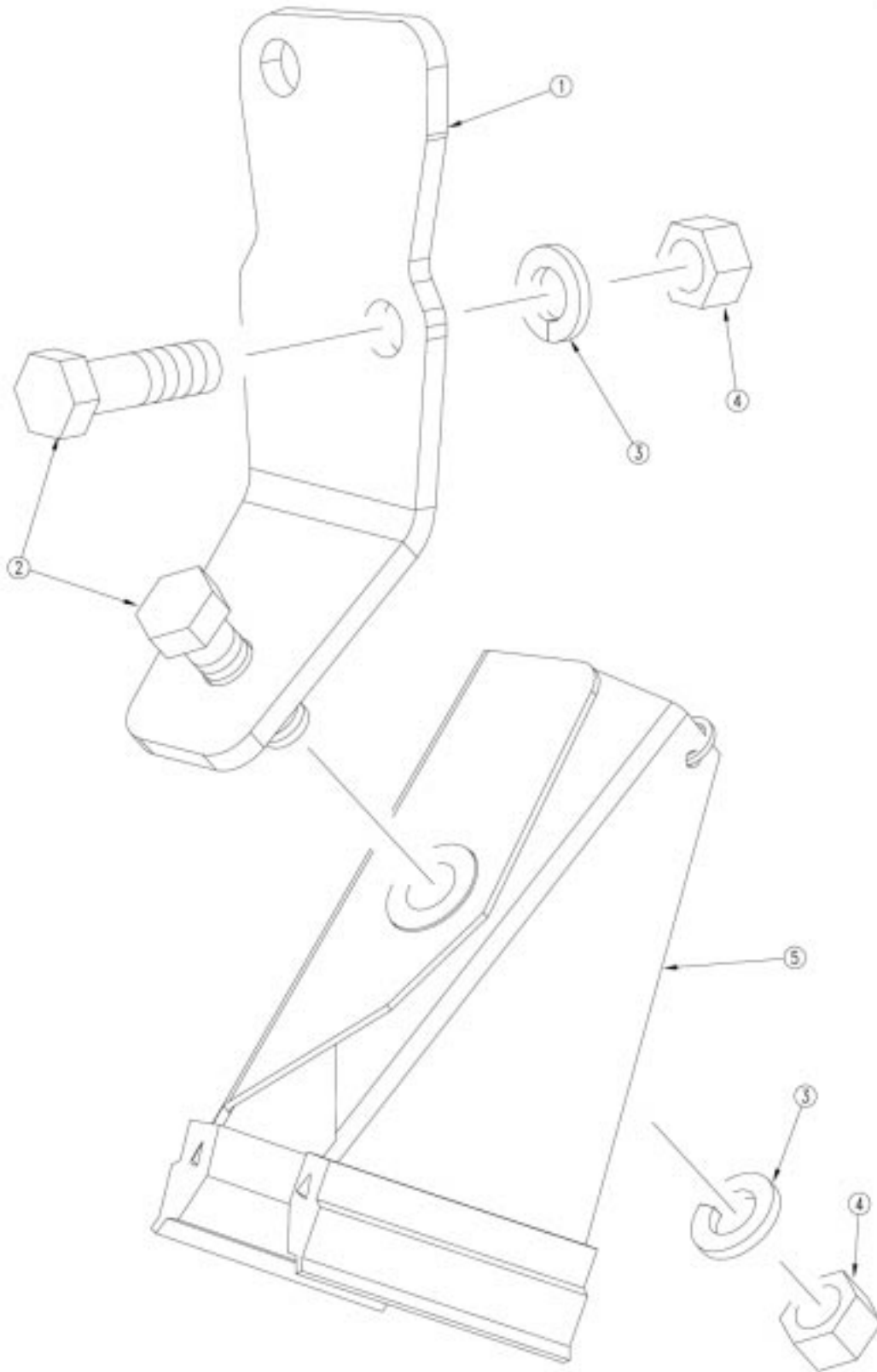


## HD10 Series Keeton Seed Firmer (Option)

Ref.	Part No.	Part Description	Comments
1.	63123	CABLE TIE .140 X .050	
2.	125006	FERTILIZER SPLITTER	
3.	129BXT811	KEETON POLY BRACKET	
4.	129BXT812	SEED FIRMER	
5.	129BXT819	HOSE GUIDE TAB	
6.	890-840C	25 SER SEED FIRMER W/FERT	
7.	129BXT814	BLACK FERTILIZER HOSE FORMED	
8.	802-252C	RHSNB 3/8-16X1 3/4 GR5	
9.	802-617C	HHFS 1/4-20 X 1 1/2 GR 5	
10.	803-014C	NUT HEX 3/8-16 PLT	
11.	804-013C	WASHER LOCK SPRING 3/8 PLT	
12.	900TUBESP	KEETON ADAPTOR TUBE	
13.	802-172C	HHCS 5/16-18X2 1/2 GR5	
14.	803-043C	NUT HEX WHIZ 5/16-18 PLT	

## 10 & 20 Series Air Design Scraper (Option)

---



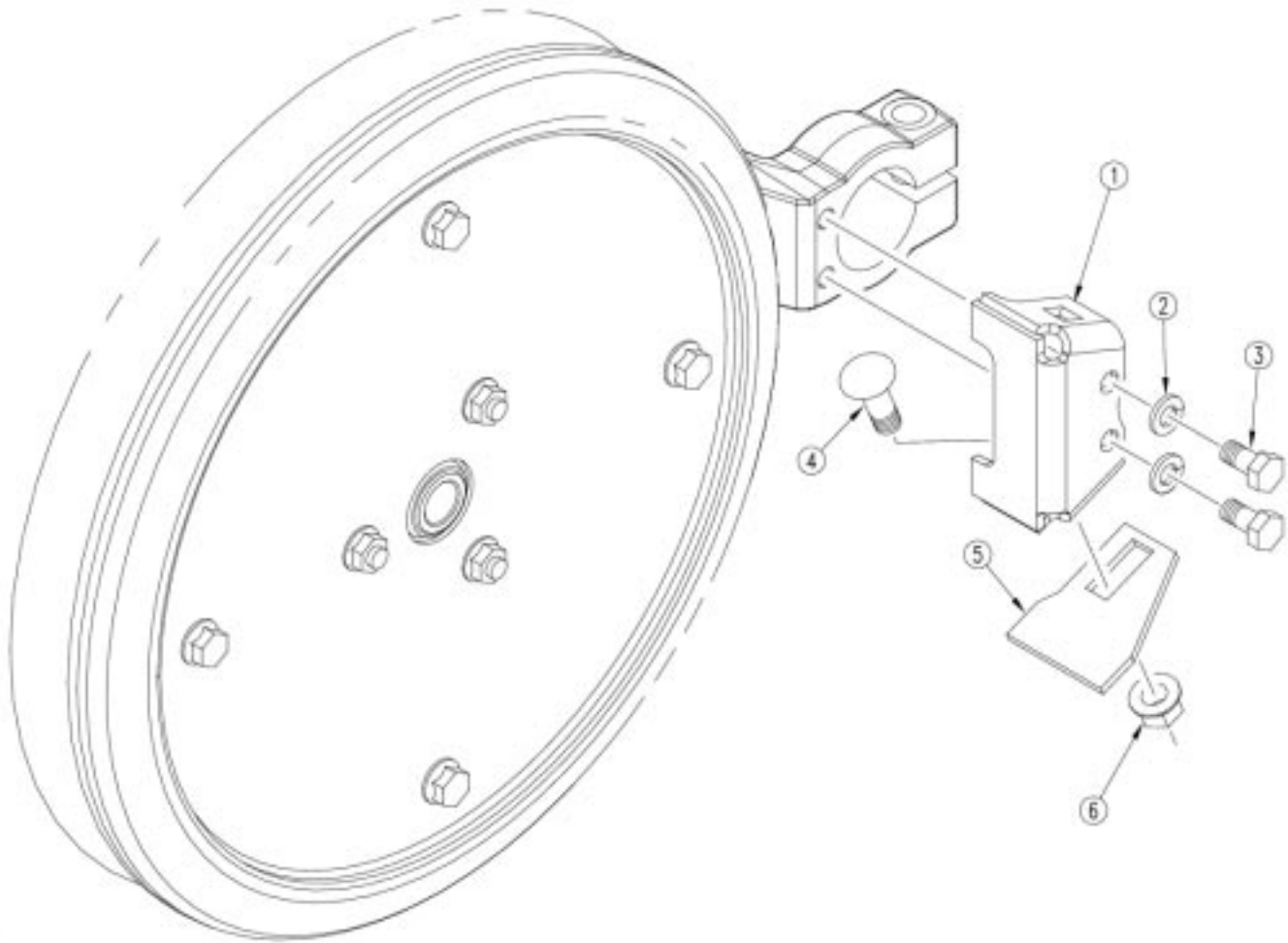
## 10 & 20 Series Air Design Scraper (Option)

---

Ref.	Part No.	Part Description	Comments
1.	122-168D	10P20P AD INSIDE SCRAPER MOUNT	
2.	802-079C	HHCS 3/8-16X1 1/4 GR5	
3.	804-013C	WASHER LOCK SPRING 3/8 PLT	
4.	803-014C	NUT HEX 3/8-16 PLT	
5.	890-357C	SCRAPER-SPRING LOAD-AIR DESIGN	

## Side Wheel Scraper (Option)

---



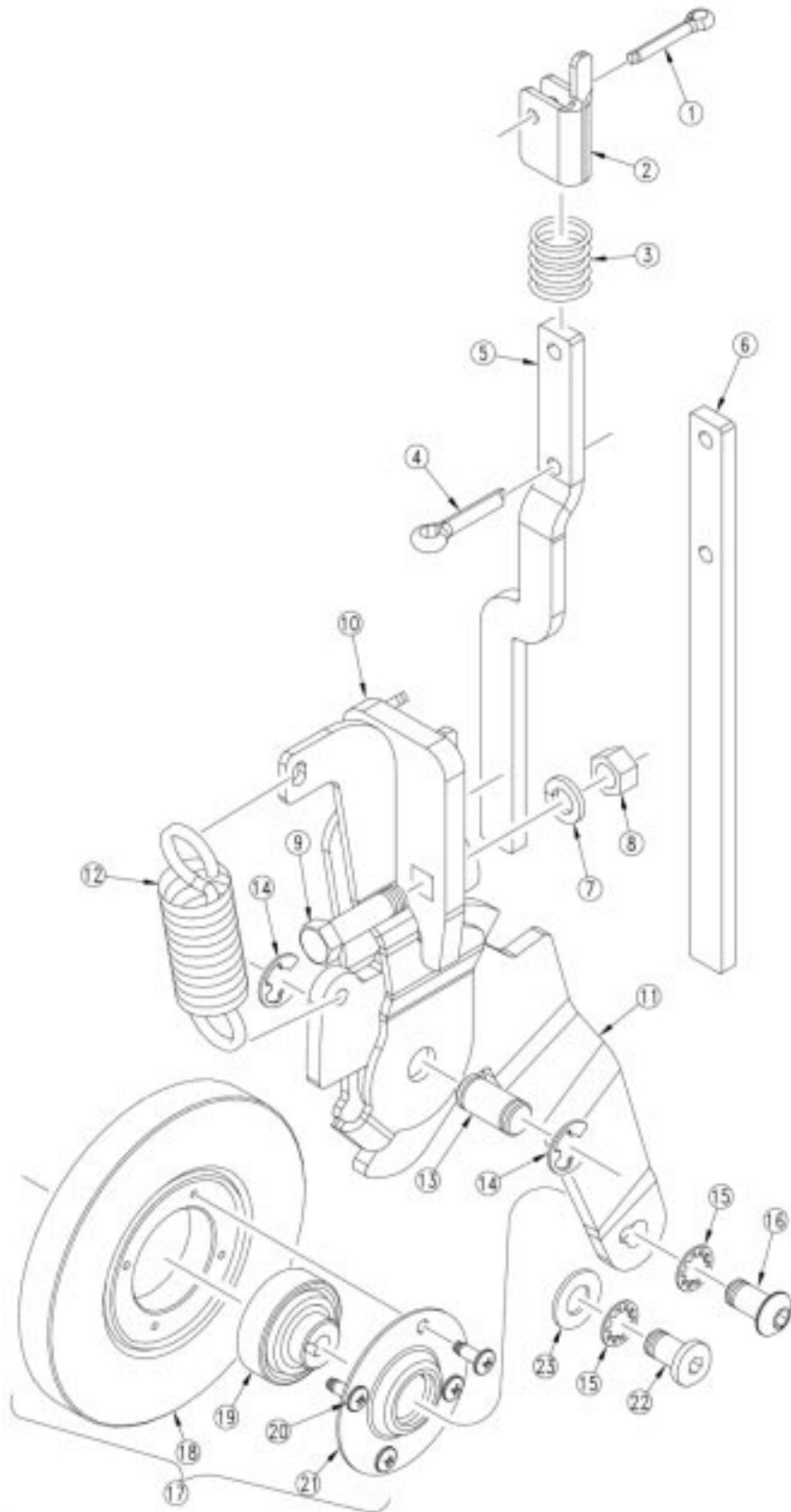
## Side Wheel Scraper (Option)

---

Ref.	Part No.	Part Description	Comments
1.	198-264D	20P SIDE WHEEL SCRAPER MOUNT	
2.	804-009C	WASHER LOCK SPRING 5/16 PLT	
3.	802-705C	HHCS 5/16-18X5/8	
4.	802-149C	RHSNB 3/8-16X3/4 GR5	
5.	198-263D	20P SIDE WHEEL SCRAPER	
6.	803-209C	NUT FLANGE LOCK 3/8-16 PLT	

## 10 & 20 Series Seed-Lok (Option)

---





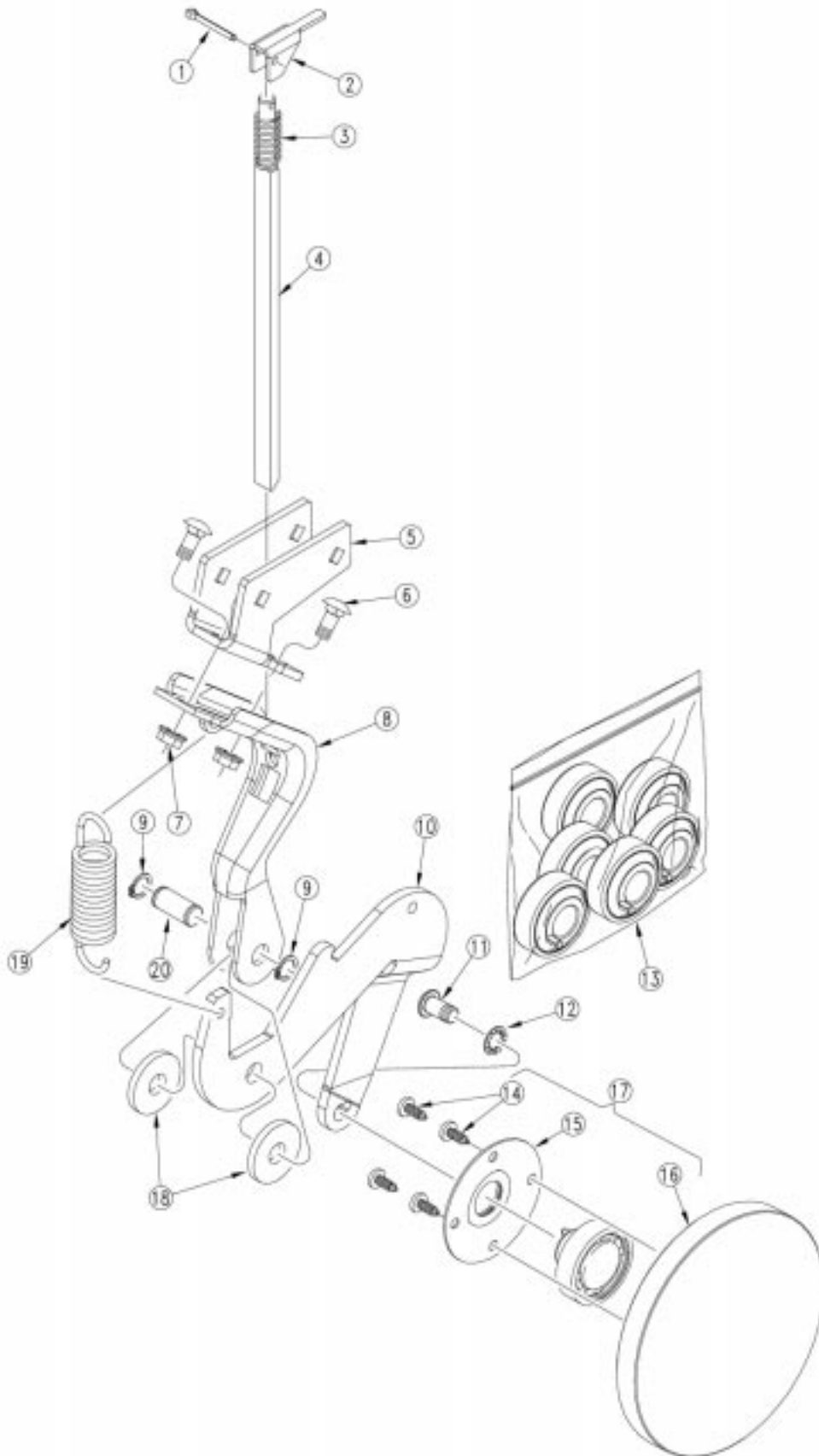
## 10 & 20 Series Seed-Lok (Option)

Ref.	Part No.	Part Description	Comments
1.	805-069C	PIN COTTER 3/16 X 1	
2.	122-166D	SEED LOCK LOCK-UP CAM	
3.	807-188C	SPRING COMP .85ODX2.0LGX.067W	
4.	805-020C	PIN COTTER 1/4 X 1 PLT	
5.	122-167D	10 SER SEED LOCK LOCK-UP BAR	Shown.
6.	122-165D	20 SER SEED LOCK LOCK-UP BAR	
7.	804-013C	WASHER LOCK SPRING 3/8 PLT	
8.	803-014C	NUT HEX 3/8-16 PLT	
9.	802-022C	HHCS 3/8-16X1 1/2 GR5	
10.	122-250H	SEED LOCK MOUNT, SINGULATING	
11.	122-164D	SEED LOCK ARM, SINGULATING	
12.	807-101C	SPRING, 1 O.D.X.125WIREX 3 1/2	
13.	122-120D	5 SEED-LOK WHL ARM PIVOT PIN	
14.	800-093C	SNAP RING EXT E 1/2	
15.	804-078C	WASHER INTERNAL STAR 3/8 PLT.	
16.	801-078C	SCR HX SKT BUT CP 3/8-16X3/4	20 Series only. Includes 18,19,20 & 21
17.	122-201S	SD-LK 203 BEARING WHEEL ASSY	
18.	817-134C	5/8 X 5 SEED FIRING WHEEL	
19.	188-008V	BEARING 203 SEED-LOK WITH PIN	
20.	801-084C	SCR PH THD FMG #10X1/2 TP ZP	
21.	816-173C	BEARING RETAINER W/BONDED SEAL	
22.	801-141C	LHS CP 3/8-16X3/4 GR8 PLAIN	10 Series only.
23.	804-011C	WASHER FLAT 3/8 USS PLT	10 Series only

**Legend:** ● = 1st revision; ● = 2nd revision; ● = 3rd revision; ● = use up existing stock; ⊗ = not interchangeable; ⊗ ① ● = for example: revision 2 is not interchangeable w/revision 1

## HD10 Series Seed-Lok (Option)

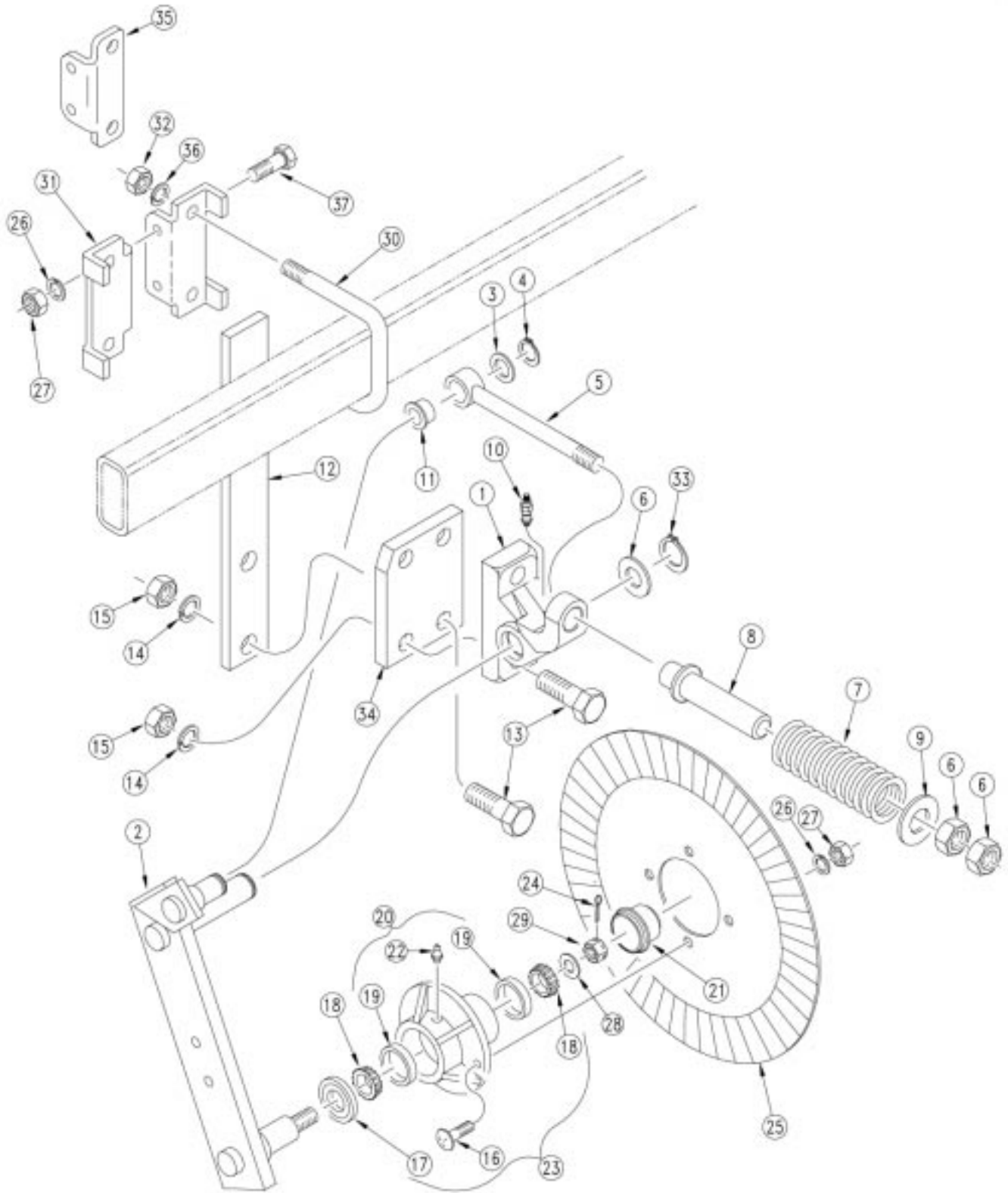
---



## HD10 Series Seed-Lok (Option)

Ref.	Part No.	Part Description	Comments
1.	805-045C	PIN COTTER 5/32 X 1 1/4 LG	
2.	404-145D	LEVER, SEED LOK	
3.	807-106C	SPRING .540 O.D.X 1 1/4 X.054W	
4.	404-088H	LOCK ROD WELD	
5.	404-144D	SEED LOK MOUNT	
6.	802-092C	RHSNB 5/16-18X3/4 GR5	
7.	803-043C	NUT HEX WHIZ 5/16-18 PLT	
8.	206-010D	JD KINZE SEED LOK LOWER MOUNT	
9.	800-166C	SNAP RING 1/2 EXTERNAL HEAVY	
10.	404-061D	SEED LOK WHEEL ARM	
11.	801-078C	SCR HX SKT BUT CP 3/8-16X3/4	
12.	804-078C	WASHER INTERNAL STAR 3/8 PLT.	
13.	122-231A	SEED-LOK BEARING PACKAGE	
14.	801-084C	SCR PH THD FMG #10X1/2 TP ZP	
15.	816-173C	BEARING RETAINER W/BONDED SEAL	
16.	817-134C	5/8 X 5 SEED FIRING WHEEL	
17.	206-014S	6 SEED LOK ASSEMBLY	
18.	804-112C	WASHER MACH 1.50 X .510 X .187	
19.	807-125C	SPRING EXT 1 X 4 X .135 WD	
20.	206-011D	SEED LOK PIVOT PIN	

# Coulter



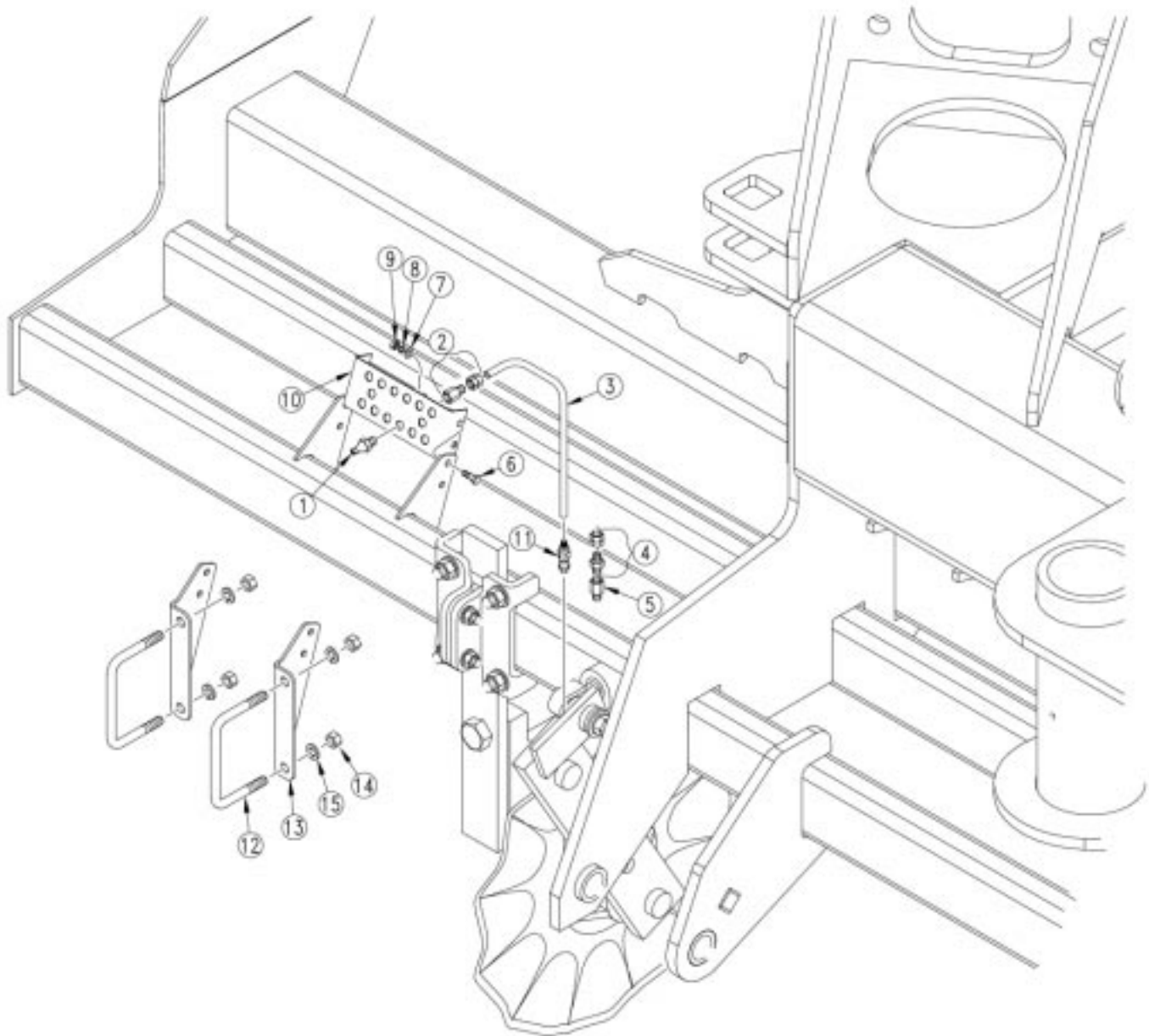
## Coulter

Ref.	Part No.	Part Description	Comments
1.	249-050S	CLTR CASTING ASSY	
2.	249-051H	CLTR SWING ARM WLMT	
3.	804-156C	WASHER MACH 1 1/4X3/4X14GA	
4.	800-164C	SNAP RING 3/4 EXTERNAL HEAVY	
5.	802-718C	EYE BOLT 3/4-10X14 3/4 LG SP	
6.	804-165C	WASHER MACH 1 7/8X1 1/4X 14GA	
7.	149-559D	SPRING 2.25 O.D. X .5 COIL	
8.	805-331C	COULTER SPRING GUIDE TUBE	
9.	149-558D	COULTER SPRING WASHER	
10.	800-211C	GREASE ADAPT 1/4-28M X 1/4 TB	
11.	817-513C	BUSHING 1X3/4X1 1/8 FLG HD	
12.	204-295D	COULTER SPRING BAR 14 3/4 BLK	
13.	802-332C	HHCS 7/8-9X3 GR5	
14.	804-037C	WASHER LOCK SPRING 7/8 PLT	
15.	803-049C	NUT HEX 7/8-9 PLT	
16.	802-214C	RHSNB 1/2-13X1 1/4 GR5	
17.	816-009C	OIL SEAL DOUBLE LIP	
18.	822-021C	BEARING CONE LM-67048	
19.	822-020C	BEARING CUP LM-67010	
20.	200-039V	COULTER HUB & CUP ASSY	Includes items 19,22
21.	200-001D	HUB GREASE CAP	
22.	800-001C	GREASE ZERK STRAIGHT 1/4-28	
23.	200-002S	COULTER HUB PACKAGE	Includes items 16,17,18,20
24.	805-017C	PIN COTTER 3/16 X 1 3/4 PLT	
25.	820-018C	COULTER BLADE FLUTED	
	820-116C	17 COULTER BLADE 5/8 WAVY	
	820-082C	17 COULTER BLADE 3/4 WAVY	
	820-156C	5/8 WAVY TURBO BLADE	
26.	804-015C	WASHER LOCK SPRING 1/2 PLT	
27.	803-020C	NUT HEX 1/2-13 PLT	
28.	804-055C	WASHER SPINDLE - 7/8	
29.	803-029C	NUT HEX SLOTTED 7/8-14 PLT	
30.	806-106C	U-BOLT 5/8-11 X 4 1/32 X 4	
31.	149-059D	COULTER CLAMP BAR	
32.	803-021C	NUT HEX 5/8-11 PLT	
33.	800-177C	SNAP RING EXT 1 1/4 HEAVY	
34.	149-086D	OFFSET COULTER MOUNT PLATE	
35.	197-010D	OFFSET COULTER BRKT F/LH BOX	
36.	804-022C	WASHER LOCK SPRING 5/8 PLT	
37.	802-082C	HHCS 1/2-13X1 3/4 GR5	

**Legend:** ● = 1st revision; ● = 2nd revision; ● = 3rd revision; ● = use up existing stock; ⊗ = not interchangeable; ⊗ ① ● = for example: revision 2 is not interchangeable w/revision 1

## Grease Bank

---

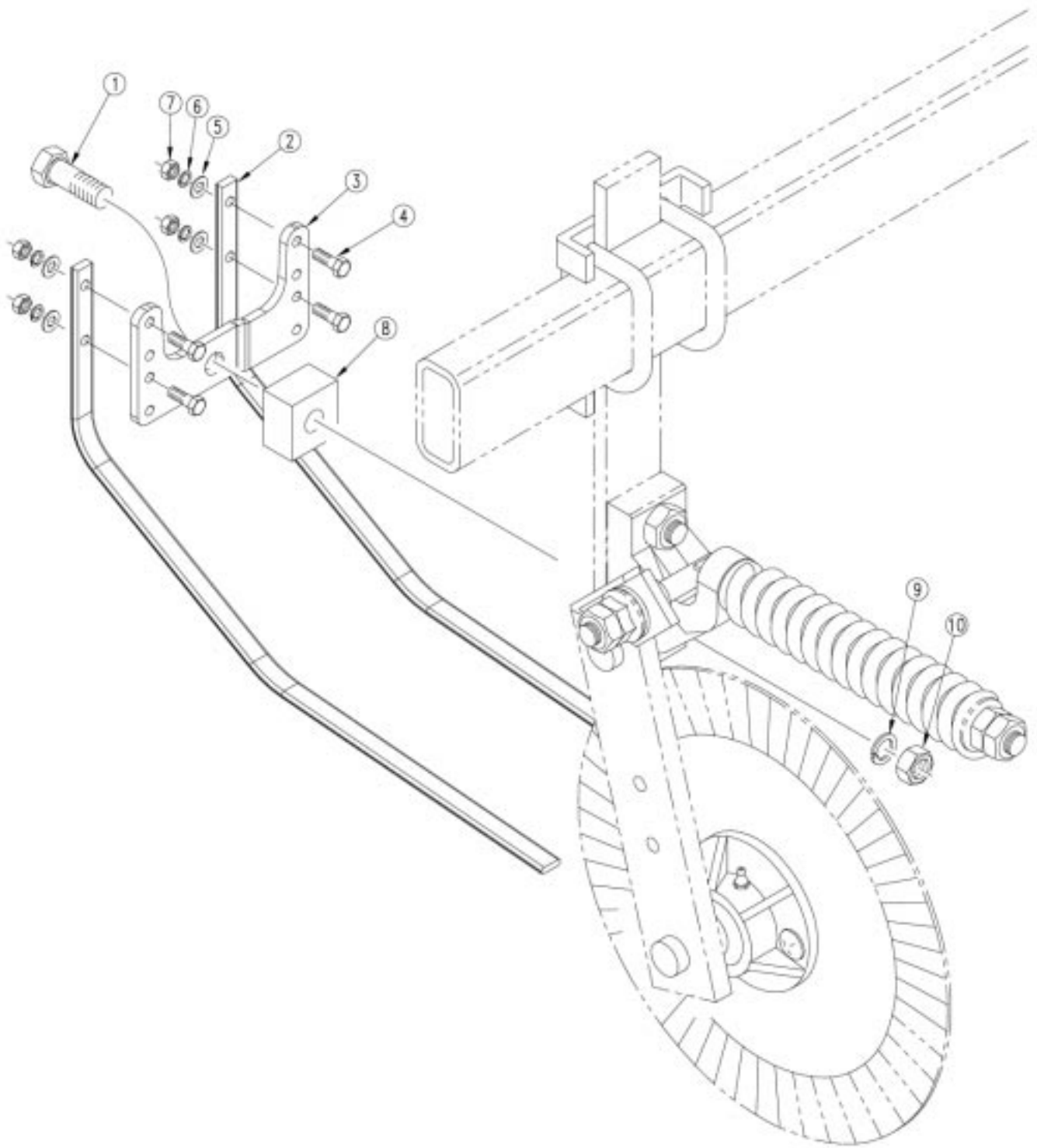


## Grease Bank

Ref.	Part No.	Part Description	Comments
1.	800-130C	GREASE ZERK STRAIGHT 1/8-27NPT	
2.	800-158C	FTG TUBE,CONNECTOR 1/8 FNPT	
3.	990-109R	TUBE NYLON 1/4OD X 062WL	
4.	800-157C	FTG TUBE,CONNECTOR 1/8 MNPT	
5.	800-156C	FTG ADAPTER,1/8 FNPT X 1/4-28M	
6.	802-004C	HHCS 1/4-20X3/4 GR5	
7.	804-007C	WASHER FLAT 1/4 SAE PLT	
8.	804-006C	WASHER LOCK SPRING 1/4 PLT	
9.	803-006C	NUT HEX 1/4-20 PLT	
10.	197-194D	GREASE BANK MOUNT	
11.	800-211C	GREASE ADAPT 1/4-28M X 1/4 TB	
12.	806-111C	U-BOLT 3/8-16 X 4 1/32 X 2 3/4	Use for updating only
13.	197-058D	GREASE BANK MOUNT PLATE BOLTON	Use for updating only
14.	803-014C	NUT HEX 3/8-16 PLT	Use for updating only
15.	804-013C	WASHER LOCK SPRING 3/8 PLT	Use for updating only

## Coulter Tine (Option)

---

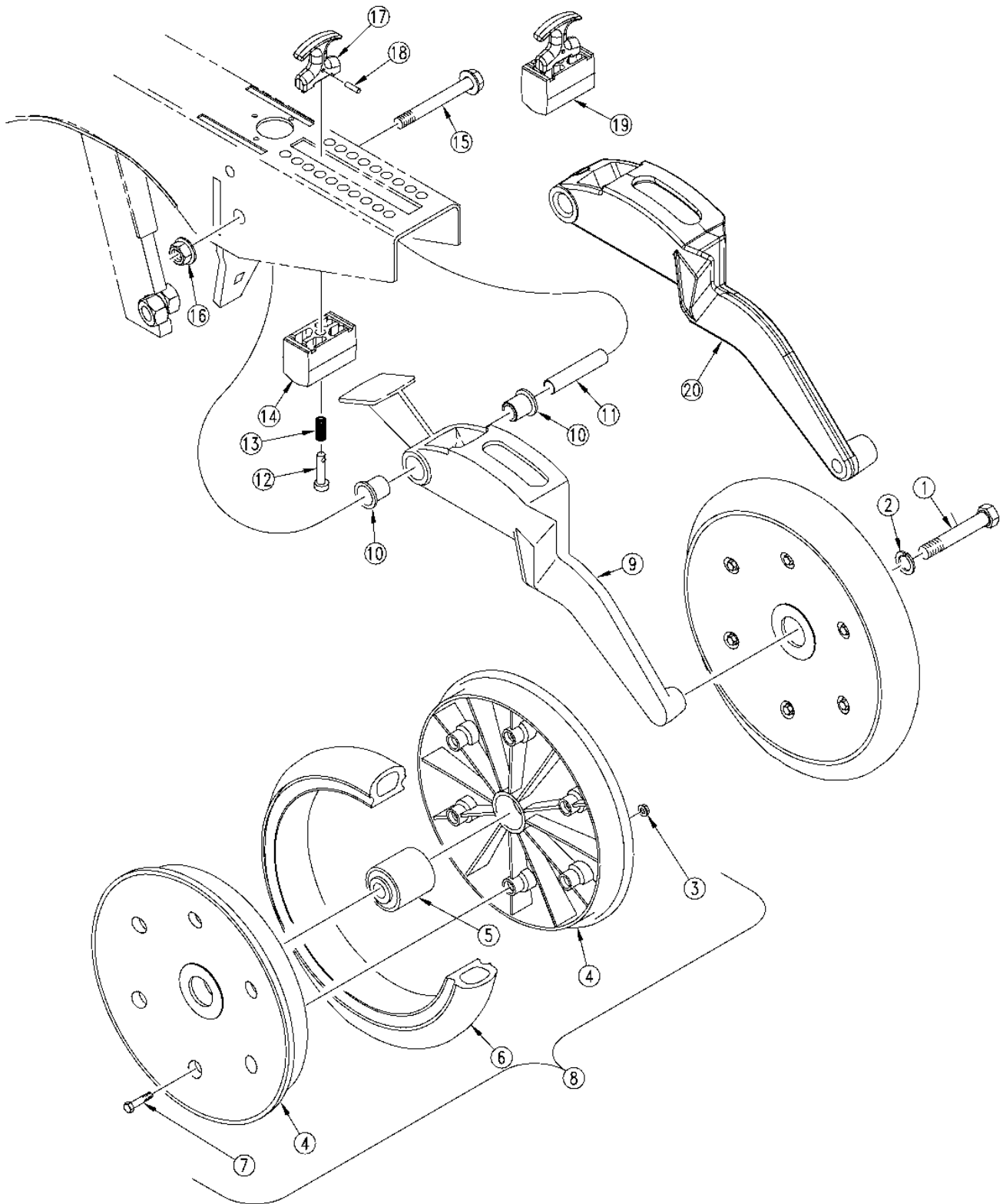




## Coulter Tine (Option)

Ref.	Part No.	Part Description	Comments
1.	802-126C	HHCS 7/8-9X3 1/2 GR5	Use with part number 196-602D
	802-178C	HHCS 7/8-9X5 1/2 GR5	
2.	820-114C	2SNT COULTER TINE	
3.	149-570D	COULTER TINE MOUNT PLATE REAR	
4.	802-022C	HHCS 3/8-16X1 1/2 GR5	
5.	804-011C	WASHER FLAT 3/8 USS PLT	
6.	804-013C	WASHER LOCK SPRING 3/8 PLT	
7.	803-014C	NUT HEX 3/8-16 PLT	
8.	196-602D	COULTER TINE OFFST MNT SPACER	Used with offset coulter mounts only
9.	804-037C	WASHER LOCK SPRING 7/8 PLT	
10.	803-049C	NUT HEX 7/8-9 PLT	

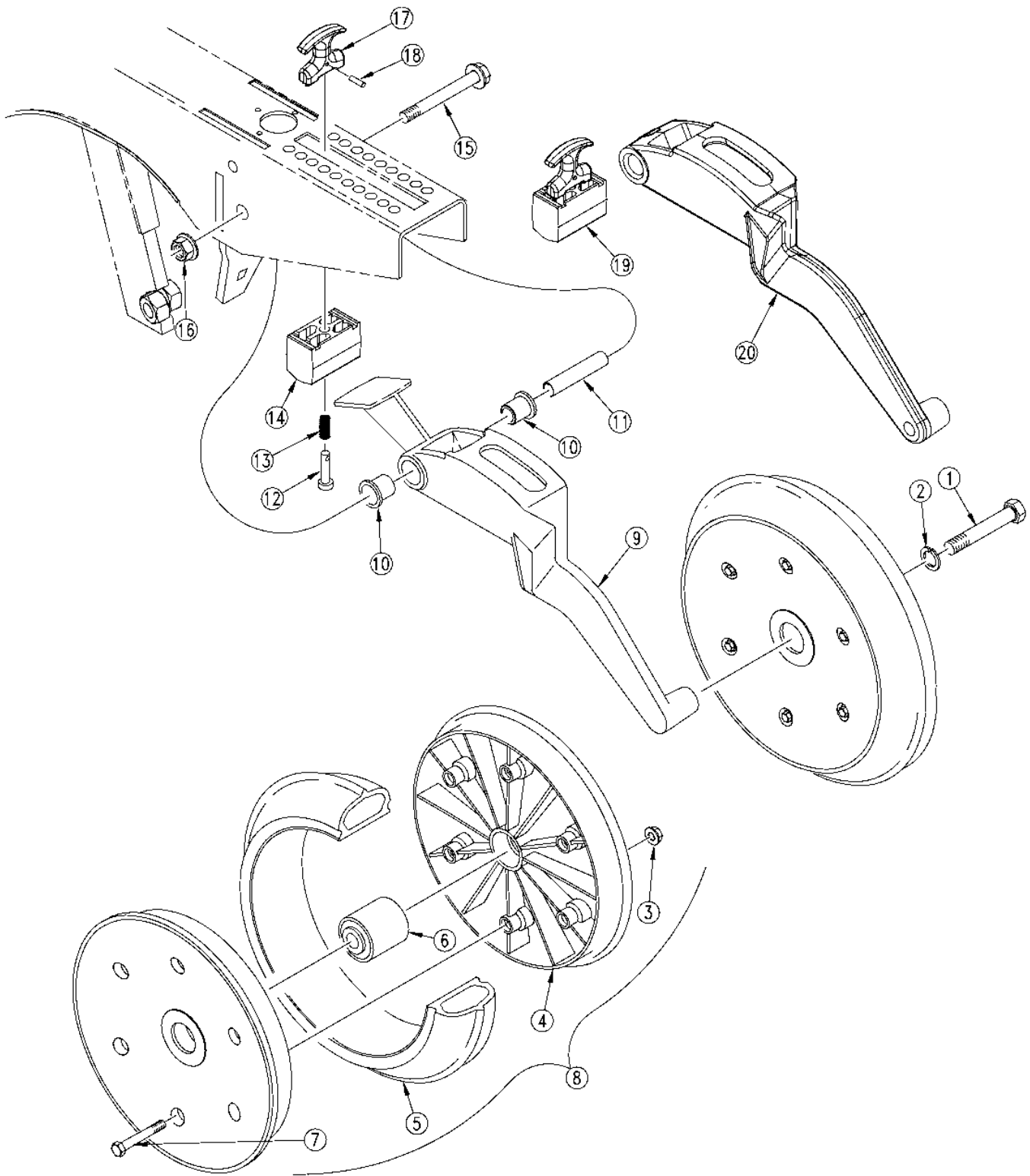
## 2" x 13" Single Press Wheel



## 2" x 13" Single Press Wheel

Ref.	Part No.	Part Description	Comments
1.	802-058C	HHCS 5/8-11X2 1/2 GR5	
2.	804-022C	WASHER LOCK SPRING 5/8 PLT	
3.	803-088C	NUT HEX LOCK 1/4-20 FLG	
4.	817-296C	2 X 13 PRESS WHEEL RIM HALF	
5.	822-170C	BEARING PRESS WHEEL ASSEMBLY	
6.	814-159C	2 X 13 PRESS WHEEL TIRE	
7.	802-617C	HHFS 1/4-20 X 1 1/2 GR 5	
8.	814-157C	2 X 13 PRESS WHEEL ASSEMBLY	
9.	199-042D	UNIVERSAL PW ARM MACH 2&3X13	
10.	817-084C	PARALLEL ARM PIVOT BUSHING	
11.	198-137D	PRESS WHEEL PIVOT TUBE	
12.	805-154C	PIN CLEVIS 3/8 X 2 1/8 USABLE	
13.	807-106C	SPRING .540 O.D.X 1 1/4 X.054W	
14.	817-347C	OPENER TRUNION	
15.	802-421C	HFS 1/2-13X3 3/4 GR5 SPTHD	
16.	803-169C	NUT HEX FLG. LOCK 1/2-13 PLT.	
17.	817-328C	T-HANDLE ASSEMBLY	
18.	805-186C	PIN ROLL 5/32 X 5/8 PLT	
19.	122-202S	PW ADJUSTMENT TRUNNION ASSY	Includes 12,13,14,17 & 18
20.	202-189D	NG UNIVERSAL PRESS WHEEL ARM	

### 3" x 13" Single Press Wheel

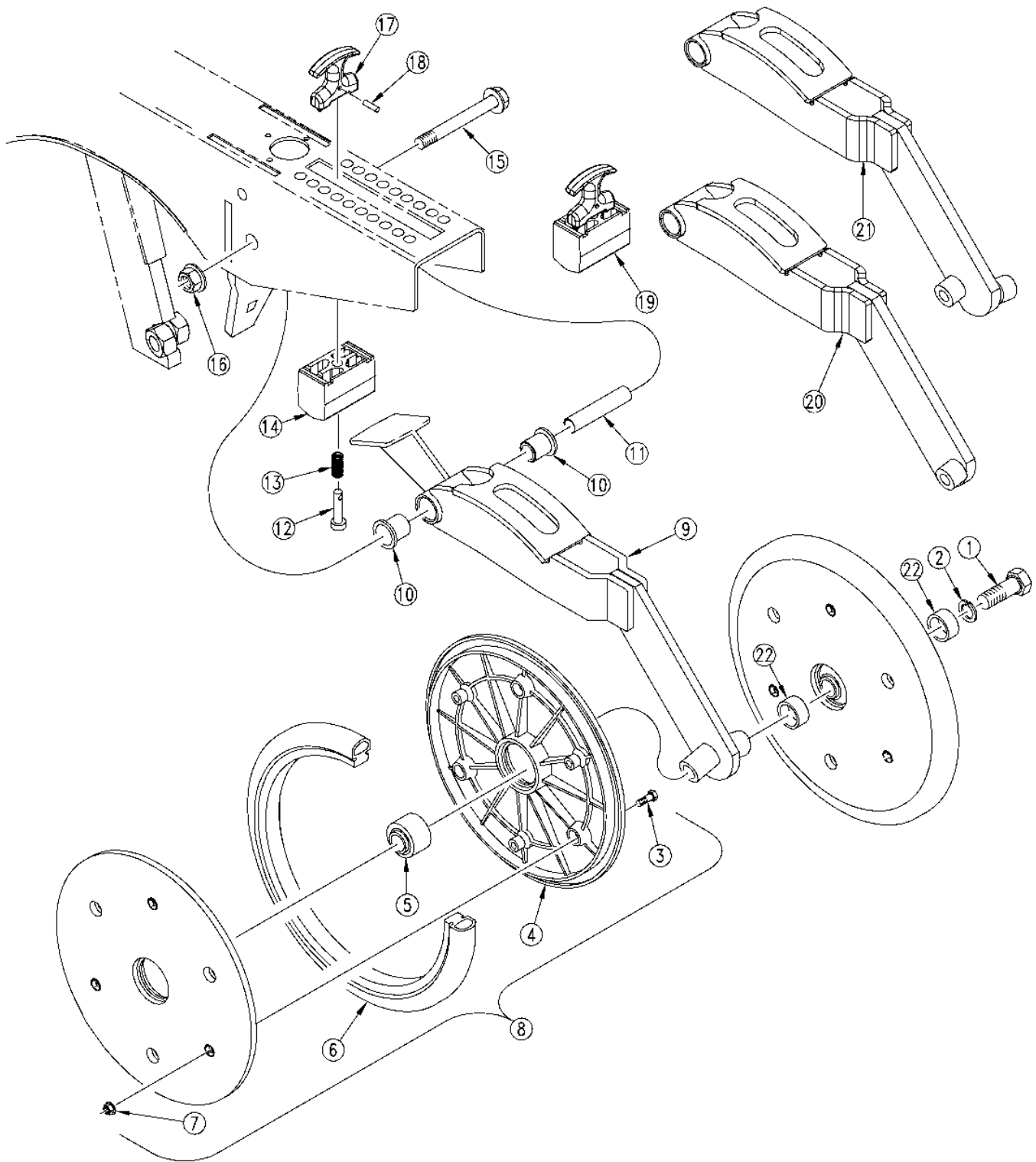


### 3" x 13" Single Press Wheel

Ref.	Part No.	Part Description	Comments
1.	802-058C	HHCS 5/8-11X2 1/2 GR5	
2.	804-022C	WASHER LOCK SPRING 5/8 PLT	
3.	803-088C	NUT HEX LOCK 1/4-20 FLG	
4.	817-297C	3 X 13 PRESS WHEEL RIM HALF	
5.	814-160C	3 X 13 PRESS WHEEL TIRE	
6.	822-170C	BEARING PRESS WHEEL ASSEMBLY	
7.	802-618C	HHFS 1/4-20 X 2 GR 5	
8.	814-158C	3 X 13 PRESS WHEEL ASSEMBLY	
9.	199-042D	UNIVERSAL PW ARM MACH 2&3X13	
10.	817-084C	PARALLEL ARM PIVOT BUSHING	
11.	198-137D	PRESS WHEEL PIVOT TUBE	
12.	805-154C	PIN CLEVIS 3/8 X 2 1/8 USABLE	
13.	807-106C	SPRING .540 O.D.X 1 1/4 X.054W	
14.	817-347C	OPENER TRUNION	
15.	802-421C	HFS 1/2-13X3 3/4 GR5 SPTHD	
16.	803-169C	NUT HEX FLG. LOCK 1/2-13 PLT.	
17.	817-328C	T-HANDLE ASSEMBLY	
18.	805-186C	PIN ROLL 5/32 X 5/8 PLT	
19.	122-202S	PW ADJUSTMENT TRUNNION ASSY	Includes 12,13,14,17 & 18
20.	202-189D	NG UNIVERSAL PRESS WHEEL ARM	

**Legend:** ● = 1st revision; ● = 2nd revision; ● = 3rd revision; ● = use up existing stock; ⊗ = not interchangeable; ⊗ ① ● = for example: revision 2 is not interchangeable w/revision 1

# 1" x 12" Double "V" Press Wheel



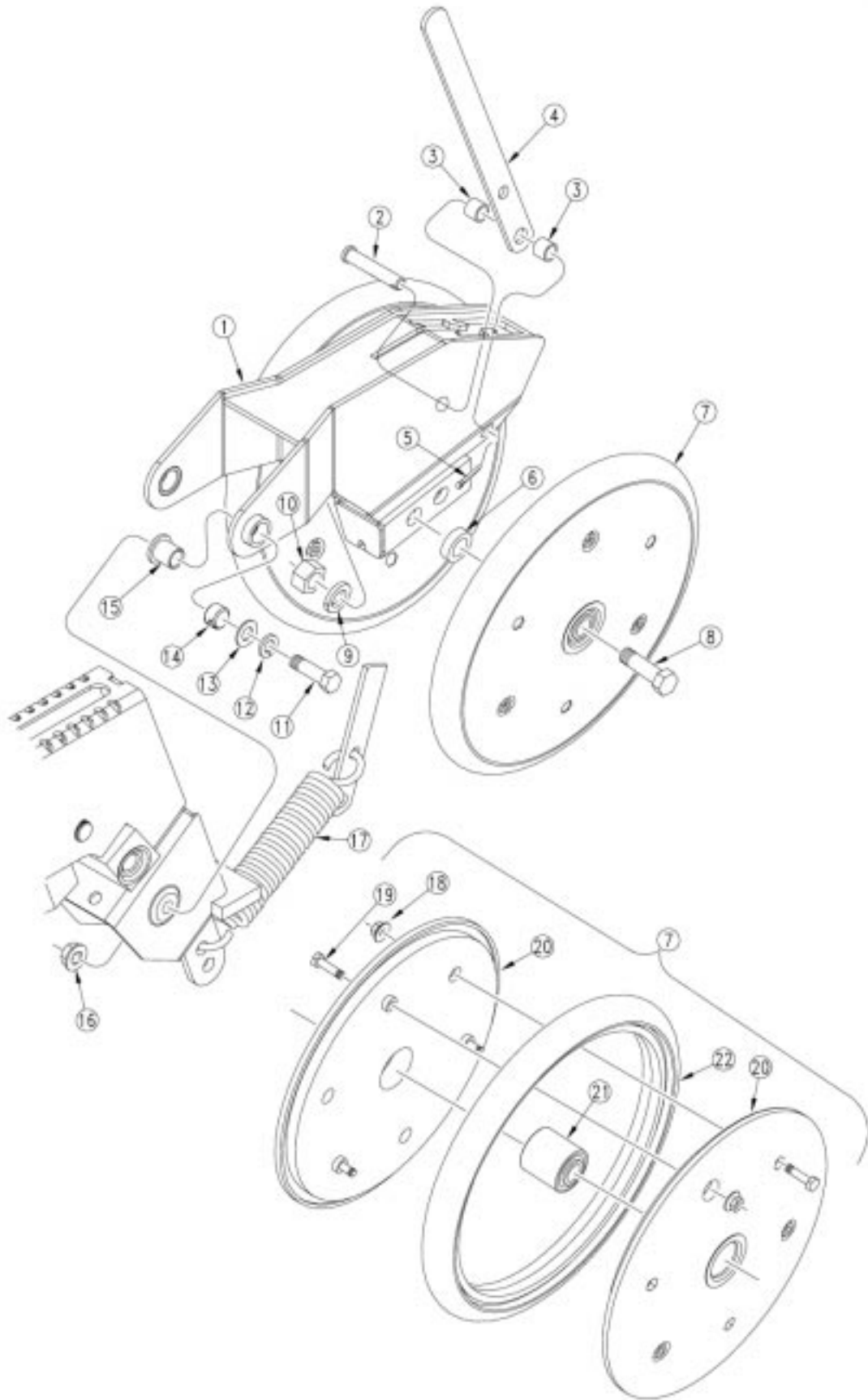
## 1" x 12" Double "V" Press Wheel

Ref.	Part No.	Part Description	Comments
1.	802-059C	HHCS 5/8-11X3 GR5	
2.	804-022C	WASHER LOCK SPRING 5/8 PLT	
3.	802-005C	HHCS 1/4-20X1 GR5	
4.	817-330C	1 X 12 PRESS WHEEL RIM HALF	
5.	822-170C	BEARING PRESS WHEEL ASSEMBLY	
6.	814-034C	TIRE RUBBER 1 X 12	
7.	803-088C	NUT HEX LOCK 1/4-20 FLG	
8.	814-174C	1 X 12 PRESS WHL ASSY-5203BRG	
9.	199-022H	98 1X12 PRESS WHEEL WELDMENT	
10.	817-084C	PARALLEL ARM PIVOT BUSHING	
11.	198-137D	PRESS WHEEL PIVOT TUBE	
12.	805-154C	PIN CLEVIS 3/8 X 2 1/8 USABLE	
13.	807-106C	SPRING .540 O.D.X 1 1/4 X.054W	
14.	817-347C	OPENER TRUNION	
15.	802-421C	HFS 1/2-13X3 3/4 GR5 SPTHD	
16.	803-169C	NUT HEX FLG. LOCK 1/2-13 PLT.	
17.	817-328C	T-HANDLE ASSEMBLY	
18.	805-186C	PIN ROLL 5/32 X 5/8 PLT	
19.	122-202S	PW ADJUSTMENT TRUNNION ASSY	Includes 12,13,14,17 & 18
20.	199-089H	10HD DBL PW ARM WELDMENT LH	
21.	199-088H	10HD DBL PW ARM WELDMENT RH	
22.	405-031D	1/4 PW SPACER 5/8 DIA	

**Legend:** ● = 1st revision; ● = 2nd revision; ● = 3rd revision; ● = use up existing stock; ⊗ = not interchangeable; ⊗ ① ● = for example: revision 2 is not interchangeable w/revision 1

# 1" x 12" Double "V" Press Wheel Short

---





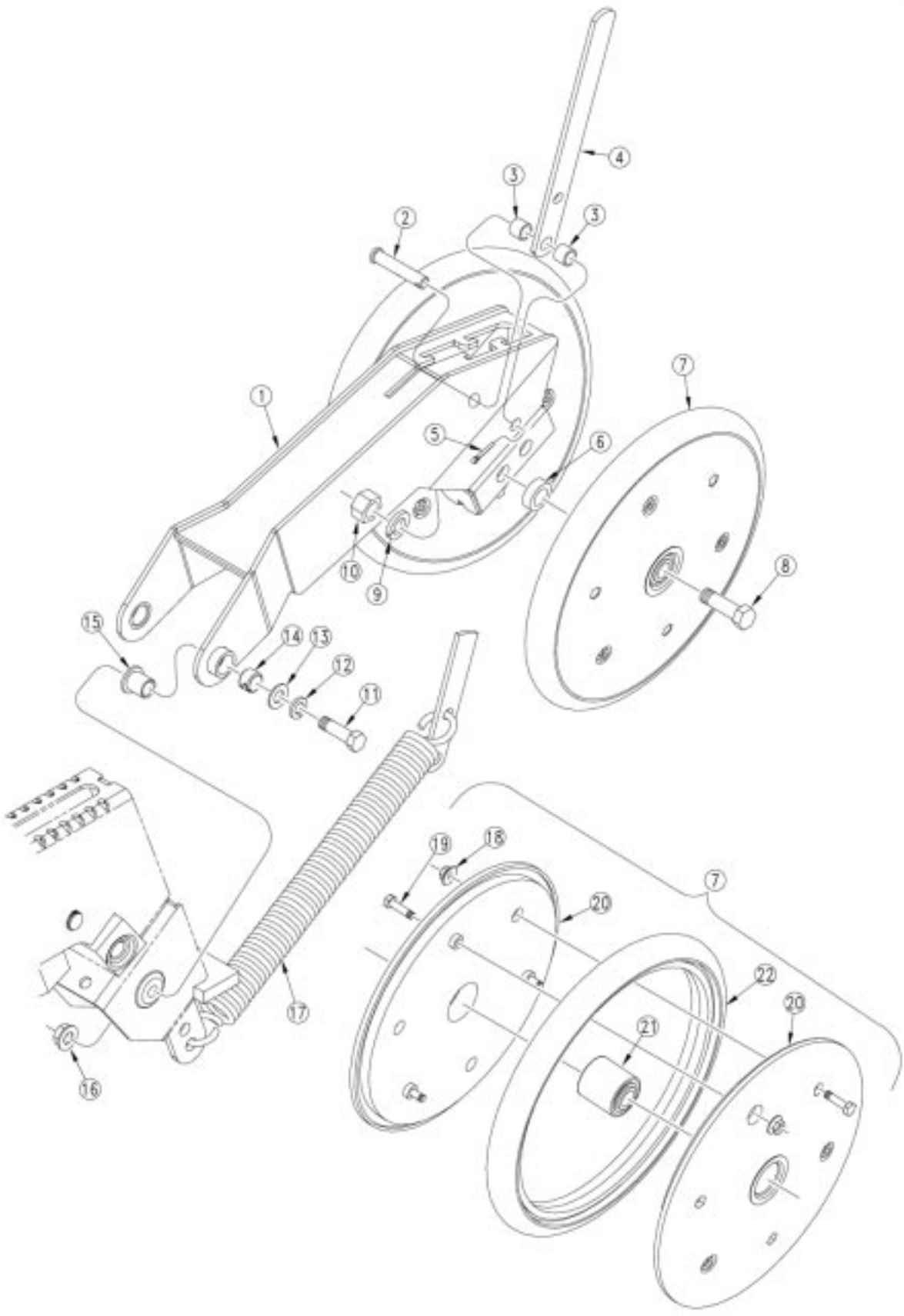
## 1" x 12" Double "V" Press Wheel Short

Ref.	Part No.	Part Description	Comments
1.	199-025H	SHORT 1X12 SING OPNR PW MOUNT	
2.	805-304C	PIN CLEVIS 7/16 X 2 25/64 USBL	
3.	199-050D	LONG 1X12 PW HANDLE SPACER TB	
4.	199-011D	PW SPRING HANDLE	
5.	805-067C	PIN COTTER 1/8 X 3/4	
6.	199-036D	1X12 PW 1/2 SPACER	
7.	814-174C	1 X 12 PRESS WHL ASSY-5203BRG	
8.	802-160C	HHCS 5/8-11X3 1/4 GR5	
9.	804-022C	WASHER LOCK SPRING 5/8 PLT	
10.	803-021C	NUT HEX 5/8-11 PLT	
11.	802-029C	HHCS 7/16-14X1 1/2 GR5	
12.	804-014C	WASHER LOCK 7/16 PLT	
13.	804-041C	WASHER FLAT 7/16 SAE PLT	
14.	890-598C	BUSHING 3/4OD X 5/8ID X 1/2 LG	
15.	890-524C	20 SER PW ARM PIVOT SPACER TB	
16.	803-229C	NUT HEX FLANGE LOC 7/16-14 PLT	
17.	807-088C	SPRING EXT 1 5/8 OD X 8.2	
18.	803-088C	NUT HEX LOCK 1/4-20 FLG	
19.	802-005C	HHCS 1/4-20X1 GR5	
20.	817-330C	1 X 12 PRESS WHEEL RIM HALF	
21.	822-170C	BEARING PRESS WHEEL ASSEMBLY	
22.	814-034C	TIRE RUBBER 1 X 12	

**Legend:** ● = 1st revision; ● = 2nd revision; ● = 3rd revision; ● = use up existing stock; ⊗ = not interchangeable; ⊗ ① ● = for example: revision 2 is not interchangeable w/revision 1

# 1" x 12" Double "V" Press Wheel Long

---



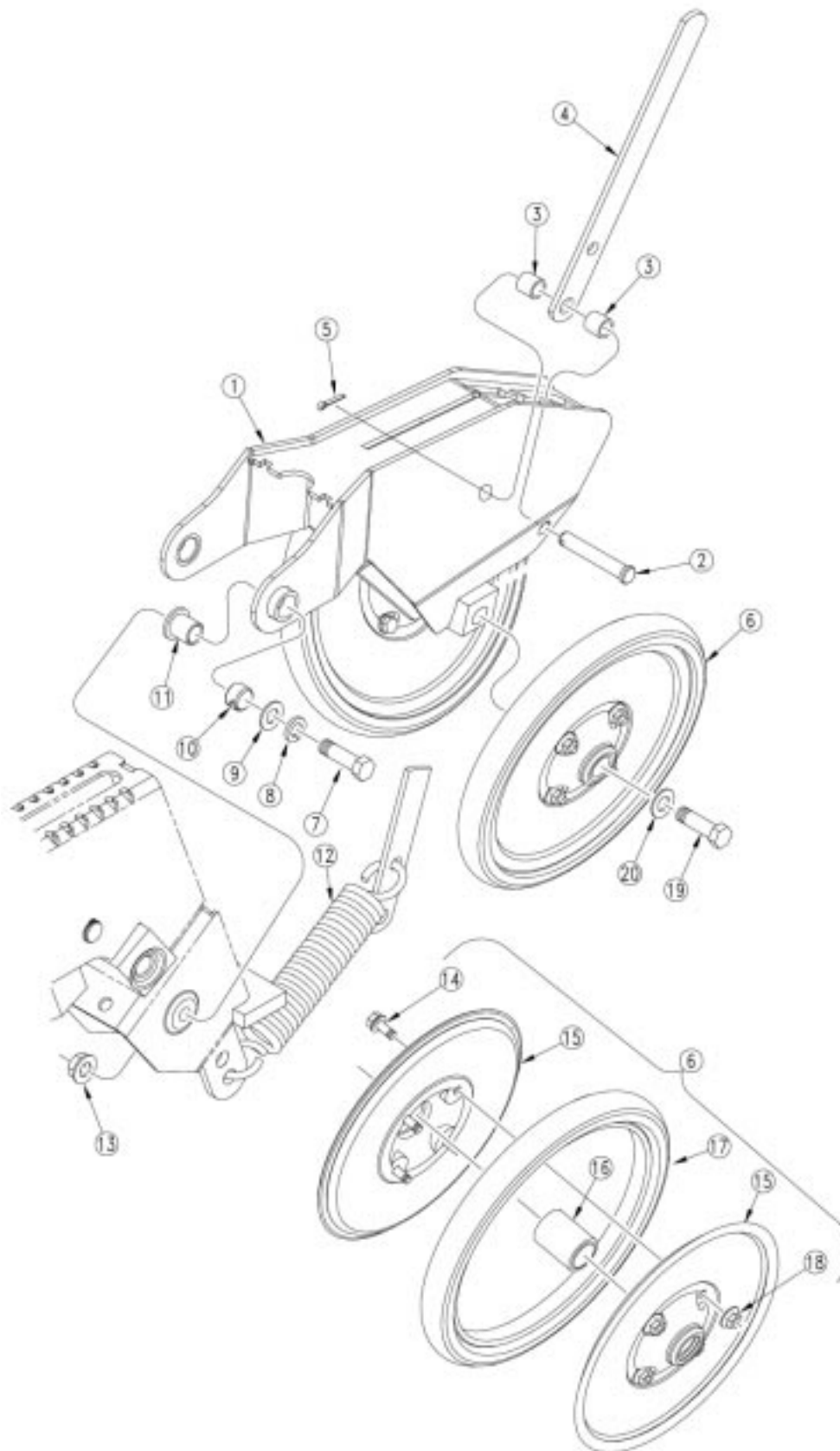
## 1" x 12" Double "V" Press Wheel Long

Ref.	Part No.	Part Description	Comments
1.	199-024H	LONG 1X12 SING OPENER PW MOUNT	
2.	805-295C	PIN CLEVIS 7/16 X 2 9/64 USABL	
3.	199-050D	LONG 1X12 PW HANDLE SPACER TB	
4.	199-011D	PW SPRING HANDLE	
5.	805-067C	PIN COTTER 1/8 X 3/4	
6.	199-036D	1X12 PW 1/2 SPACER	
7.	814-174C	1 X 12 PRESS WHL ASSY-5203BRG	Includes 18,19,20 & 22
8.	802-160C	HHCS 5/8-11X3 1/4 GR5	
9.	804-022C	WASHER LOCK SPRING 5/8 PLT	
10.	803-021C	NUT HEX 5/8-11 PLT	
11.	802-029C	HHCS 7/16-14X1 1/2 GR5	
12.	804-014C	WASHER LOCK 7/16 PLT	
13.	804-041C	WASHER FLAT 7/16 SAE PLT	
14.	890-598C	BUSHING 3/4OD X 5/8ID X 1/2 LG	
15.	890-524C	20 SER PW ARM PIVOT SPACER TB	
16.	803-229C	NUT HEX FLANGE LOC 7/16-14 PLT	
17.	807-184C	SPRING EXT 1.5OD X .25 X 11.25	
18.	803-088C	NUT HEX LOCK 1/4-20 FLG	
19.	802-005C	HHCS 1/4-20X1 GR5	
20.	817-330C	1 X 12 PRESS WHEEL RIM HALF	
21.	822-170C	BEARING PRESS WHEEL ASSEMBLY	
22.	814-034C	TIRE RUBBER 1 X 12	

**Legend:** ● = 1st revision; ● = 2nd revision; ● = 3rd revision; ● = use up existing stock; ⊗ = not interchangeable; ⊗ ① ● = for example: revision 2 is not interchangeable w/revision 1

# 1" x 10" Double "V" Press Wheel

---

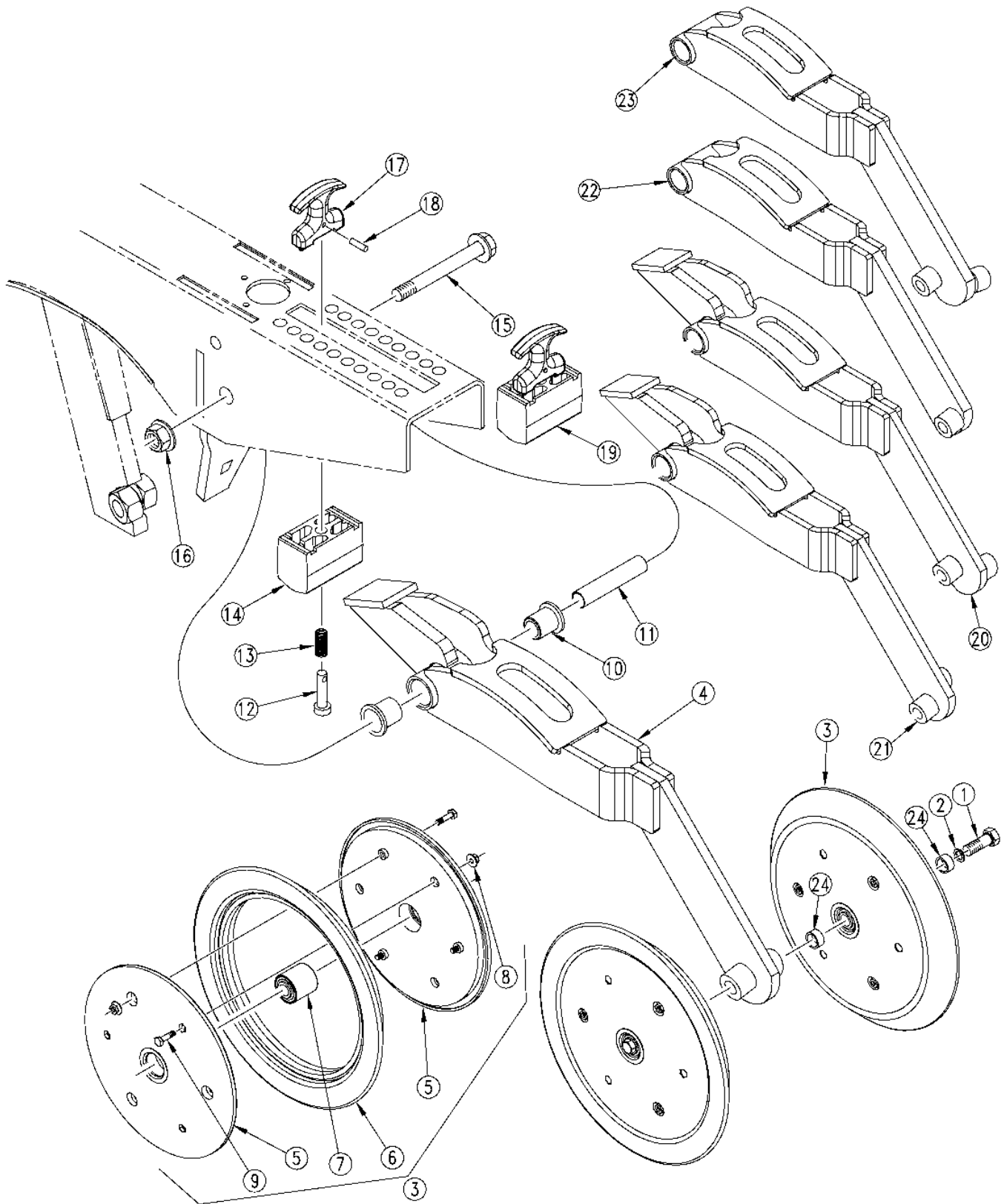


19901

## 1" x 10" Double "V" Press Wheel

Ref.	Part No.	Part Description	Comments
1.	198-821H	20 SERIES 1X10 PRESS WHEEL MNT	
2.	805-166C	PIN CLEVIS 7/16 X 3 PLT	
3.	199-015D	PW HANDLE SPACER TUBE	
4.	199-011D	PW SPRING HANDLE	
5.	805-067C	PIN COTTER 1/8 X 3/4	
6.	814-194C	1X10 PRESS WHEEL ASSEMBLY	
7.	802-029C	HHCS 7/16-14X1 1/2 GR5	
8.	804-014C	WASHER LOCK 7/16 PLT	
9.	804-041C	WASHER FLAT 7/16 SAE PLT	
10.	890-598C	BUSHING 3/4OD X 5/8ID X 1/2 LG	
11.	890-524C	20 SER PW ARM PIVOT SPACER TB	
12.	807-088C	SPRING EXT 1 5/8 OD X 8.2	
13.	803-229C	NUT HEX FLANGE LOC 7/16-14 PLT	
14.	802-196C	HFSS 1/4-20X5/8 GR5	
15.	814-192C	1X10 PRESS WHEEL RIM HALF	
16.	822-170C	BEARING PRESS WHEEL ASSEMBLY	
17.	814-085C	1X10 PRESS WHEEL TIRE	
18.	803-088C	NUT HEX LOCK 1/4-20 FLG	
19.	802-058C	HHCS 5/8-11X2 1/2 GR5	
20.	804-022C	WASHER LOCK SPRING 5/8 PLT	

# 1 1/4" x 13 1/2" Double Press Wheel

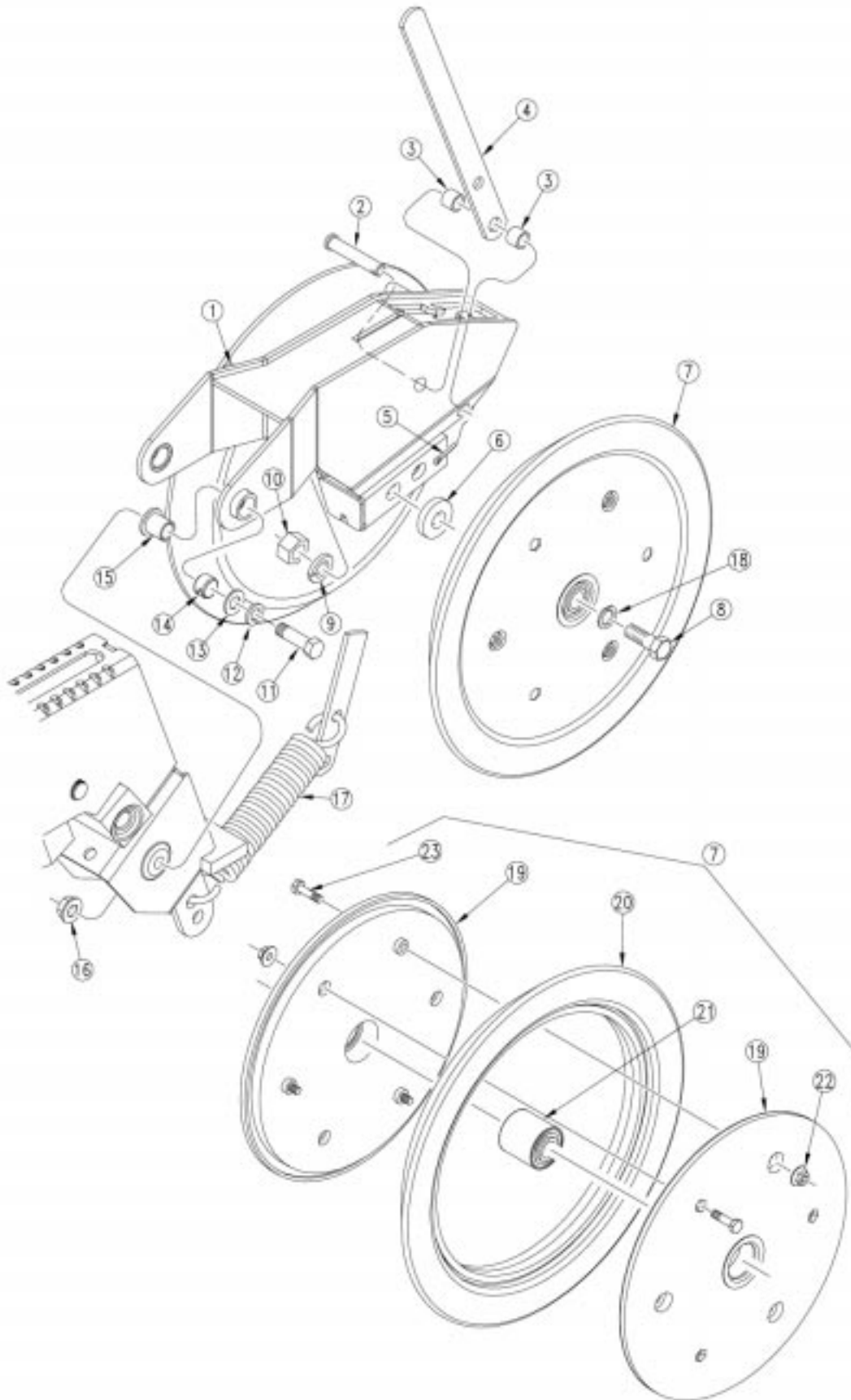


## 1 1/4" x 13 1/2" Double Press Wheel

Ref.	Part No.	Part Description	Comments
1.	802-059C	HHCS 5/8-11X3 GR5	
2.	804-022C	WASHER LOCK SPRING 5/8 PLT	
3.	814-238C	1.25 X 13.5 PRESS WHEEL ASSY	Includes items 5-9.
4.	199-038H	DOUBLE PRESS WHEEL ARM WLDMT	
5.	817-330C	1 X 12 PRESS WHEEL RIM HALF	
6.	814-244C	1.25 X 13.5 PRESS WHEEL TIRE	
7.	822-170C	BEARING PRESS WHEEL ASSEMBLY	
8.	803-088C	NUT HEX LOCK 1/4-20 FLG	
9.	802-005C	HHCS 1/4-20X1 GR5	
10.	817-084C	PARALLEL ARM PIVOT BUSHING	
11.	198-137D	PRESS WHEEL PIVOT TUBE	
12.	805-154C	PIN CLEVIS 3/8 X 2 1/8 USABLE	
13.	807-106C	SPRING .540 O.D.X 1 1/4 X.054W	
14.	817-347C	OPENER TRUNION	
15.	802-421C	HFS 1/2-13X3 3/4 GR5 SPTHD	
16.	803-169C	NUT HEX FLG. LOCK 1/2-13 PLT.	
17.	817-328C	T-HANDLE ASSEMBLY	
18.	805-186C	PIN ROLL 5/32 X 5/8 PLT	
19.	122-202S	PW ADJUSTMENT TRUNNION ASSY	Includes items 12-14, 17 & 18
20.	199-065H	DOUBLE PRESS WHEEL ARM WLD RH	
21.	199-066H	DOUBLE PRESS WHEEL ARM WLD LH	
22.	199-088H	10HD DBL PW ARM WELDMENT RH	
23.	199-089H	10HD DBL PW ARM WELDMENT LH	
24.	405-031D	1/4 PW SPACER 5/8 DIA	

# 1 1/4" x 13" Double Press Wheel

---



20261

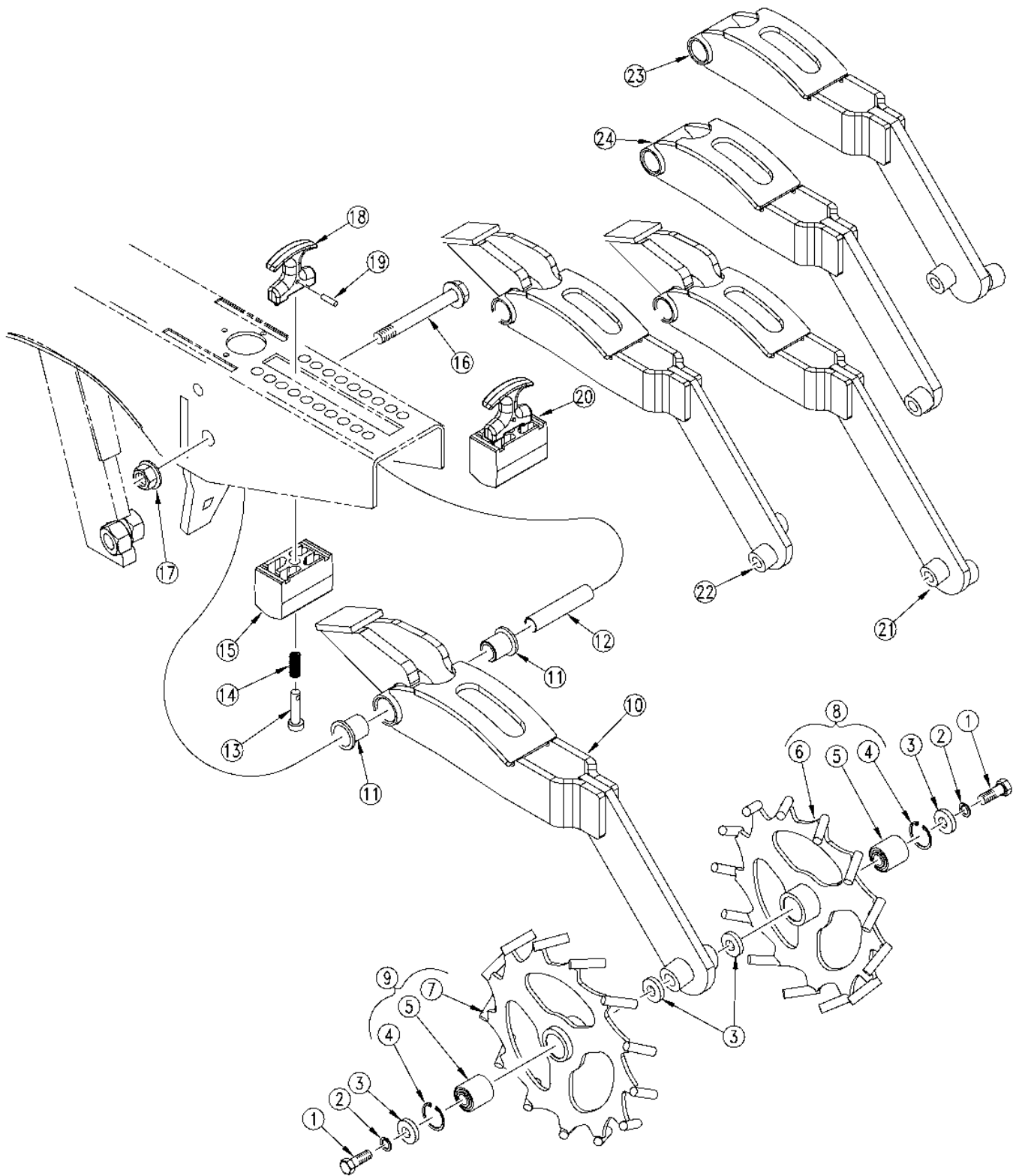


## 1 1/4" x 13" Double Press Wheel

Ref.	Part No.	Part Description	Comments
1.	199-025H	SHORT 1X12 SING OPNR PW MOUNT	
2.	805-304C	PIN CLEVIS 7/16 X 2 25/64 USBL	
3.	199-050D	LONG 1X12 PW HANDLE SPACER TB	
4.	199-011D	PW SPRING HANDLE	
5.	805-067C	PIN COTTER 1/8 X 3/4	
6.	405-031D	1/4 PW SPACER 5/8 DIA	
7.	814-238C	1.25 X 13.5 PRESS WHEEL ASSY	Includes items 19-23.
8.	802-059C	HHCS 5/8-11X3 GR5	
9.	804-022C	WASHER LOCK SPRING 5/8 PLT	
10.	803-021C	NUT HEX 5/8-11 PLT	
11.	802-029C	HHCS 7/16-14X1 1/2 GR5	
12.	804-014C	WASHER LOCK 7/16 PLT	
13.	804-041C	WASHER FLAT 7/16 SAE PLT	
14.	890-598C	BUSHING 3/4OD X 5/8ID X 1/2 LG	
15.	890-524C	20 SER PW ARM PIVOT SPACER TB	
16.	803-229C	NUT HEX FLANGE LOC 7/16-14 PLT	
17.	807-088C	SPRING EXT 1 5/8 OD X 8.2	
18.	804-022C	WASHER LOCK SPRING 5/8 PLT	
19.	817-330C	1 X 12 PRESS WHEEL RIM HALF	
20.	814-244C	1.25 X 13.5 PRESS WHEEL TIRE	
21.	822-170C	BEARING PRESS WHEEL ASSEMBLY	
22.	803-088C	NUT HEX LOCK 1/4-20 FLG	
23.	802-005C	HHCS 1/4-20X1 GR5	

**Legend:** ● = 1st revision; ● = 2nd revision; ● = 3rd revision; ● = use up existing stock; ⊗ = not interchangeable; ⊗ ① ● = for example: revision 2 is not interchangeable w/revision 1

## 2" x 12 1/2" Double Press Wheel

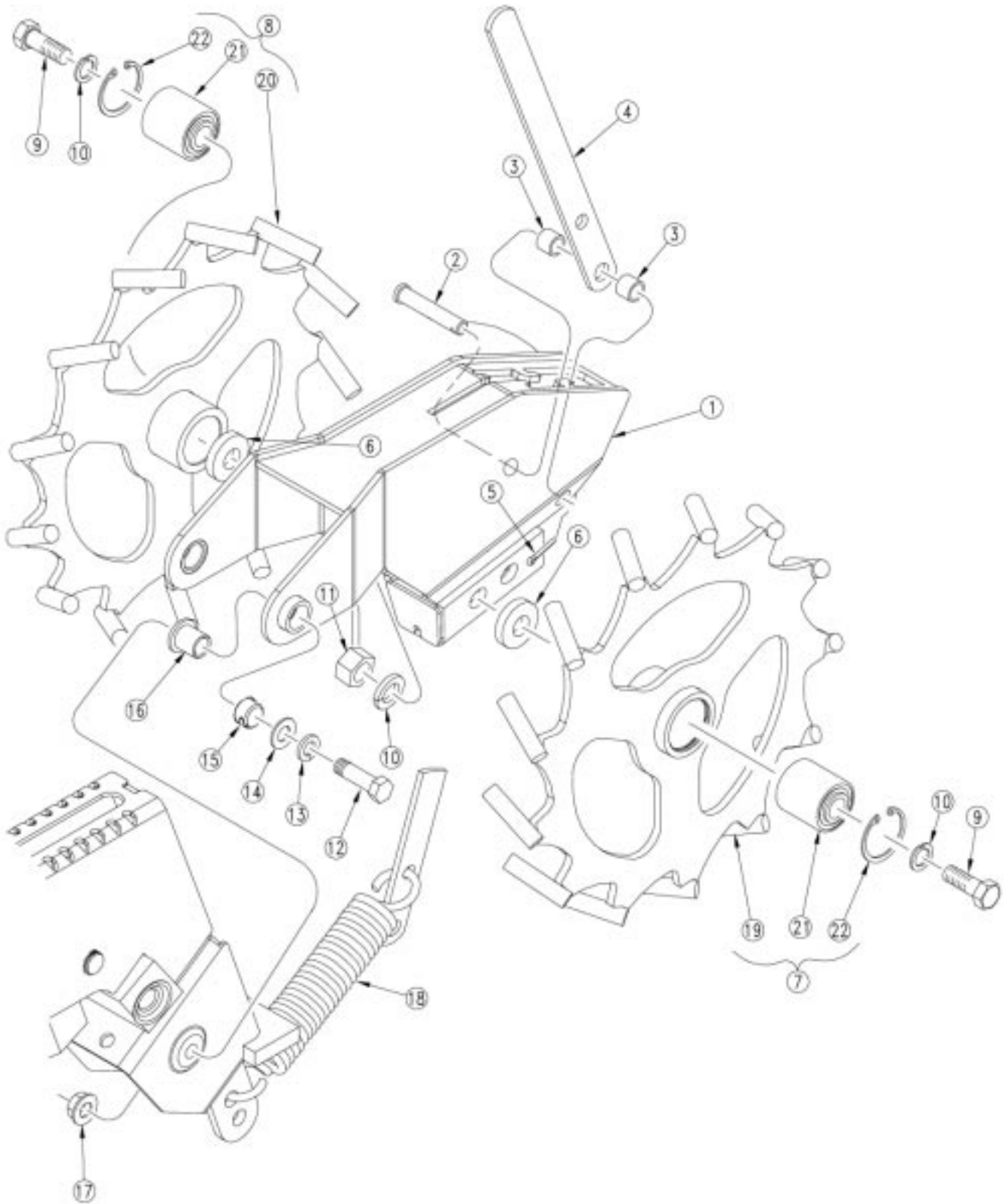


## 2" x 12 1/2" Double Press Wheel

Ref.	Part No.	Part Description	Comments
1.	802-059C	HHCS 5/8-11X3 GR5	
2.	804-022C	WASHER LOCK SPRING 5/8 PLT	
3.	405-031D	1/4 PW SPACER 5/8 DIA	
4.	800-054C	SNAP RING INT 40 MM	
5.	822-170C	BEARING PRESS WHEEL ASSEMBLY	
6.	199-040H	2X12.5 CLOSING WHEEL WLDMT RH	
7.	199-039H	2X12.5 CLOSING WHEEL WLDMT LH	
8.	199-042S	2X12.5 CLOSING WHEEL ASSY RH	Must use with item #10
9.	199-041S	2X12.5 CLOSING WHEEL ASSY LH	Must use with item #10
10.	199-038H	DOUBLE PRESS WHEEL ARM WLDMT	
11.	817-084C	PARALLEL ARM PIVOT BUSHING	
12.	198-137D	PRESS WHEEL PIVOT TUBE	
13.	805-154C	PIN CLEVIS 3/8 X 2 1/8 USABLE	
14.	807-106C	SPRING .540 O.D.X 1 1/4 X.054W	
15.	817-347C	OPENER TRUNION	
16.	802-421C	HFS 1/2-13X3 3/4 GR5 SPTHD	
17.	803-169C	NUT HEX FLG. LOCK 1/2-13 PLT.	
18.	817-328C	T-HANDLE ASSEMBLY	
19.	805-186C	PIN ROLL 5/32 X 5/8 PLT	
20.	122-202S	PW ADJUSTMENT TRUNNION ASSY	
21.	199-065H	DOUBLE PRESS WHEEL ARM WLD RH	
22.	199-066H	DOUBLE PRESS WHEEL ARM WLD LH	
23.	199-088H	10HD DBL PW ARM WELDMNT RH	
24.	199-089H	10HD DBL PW ARM WELDMNT LH	

## 2" x 12 1/2" Double Press Wheel

---

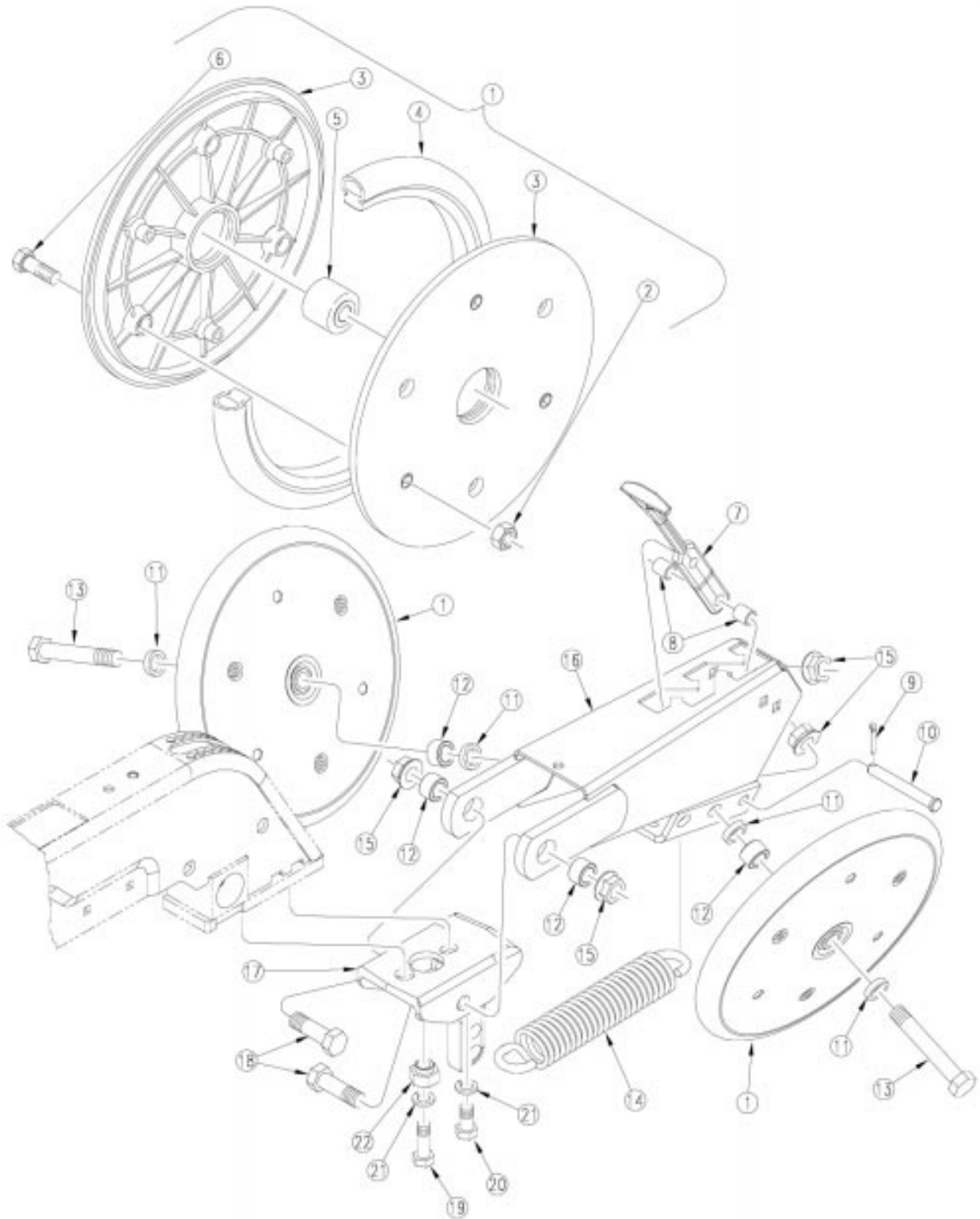


## 2" x 12 1/2" Double Press Wheel

Ref.	Part No.	Part Description	Comments
1.	199-025H	SHORT 1X12 SING OPNR PW MOUNT	
2.	805-304C	PIN CLEVIS 7/16 X 2 25/64 USBL	
3.	199-050D	LONG 1X12 PW HANDLE SPACER TB	
4.	199-011D	PW SPRING HANDLE	
5.	805-063C	PIN COTTER 3/32 X 1 LONG	
6.	405-031D	1/4 PW SPACER 5/8 DIA	
7.	199-042S	2X12.5 CLOSING WHEEL ASSY RH	Includes items 19-22.
8.	199-041S	2X12.5 CLOSING WHEEL ASSY LH	Includes items 20-22.
9.	802-059C	HHCS 5/8-11X3 GR55	
10.	804-022C	WASHER LOCK SPRING 5/8 PLT	
11.	803-021C	NUT HEX 5/8-11 PLT	
12.	802-029C	HHCS 7/16-14X1 1/2 GR5	
13.	804-014C	WASHER LOCK 7/16 PLT	
14.	804-041C	WASHER FLAT 7/16 SAE PLT	
15.	890-598C	BUSHING 3/4OD X 5/8ID X 1/2 LG	
16.	890-524C	20 SER PW ARM PIVOT SPACER TB	
17.	803-229C	NUT HEX FLANGE LOC 7/16-14 PLT	
18.	807-088C	SPRING EXT 1 5/8 OD X 8.2	
19.	199-040H	2X12.5 CLOSING WHEEL WLDMT RH	
20.	199-039H	2X12.5 CLOSING WHEEL WLDMT LH	
21.	822-170C	BEARING PRESS WHEEL ASSEMBLY	
22.	800-054C	SNAP RING INT 40 MM	

**Legend:** ● = 1st revision; ● = 2nd revision; ● = 3rd revision; ● = use up existing stock; ⊗ = not interchangeable; ⊗ ① ● = for example: revision 2 is not interchangeable w/revision 1

# 1" x 12" Double "V" Press Wheel

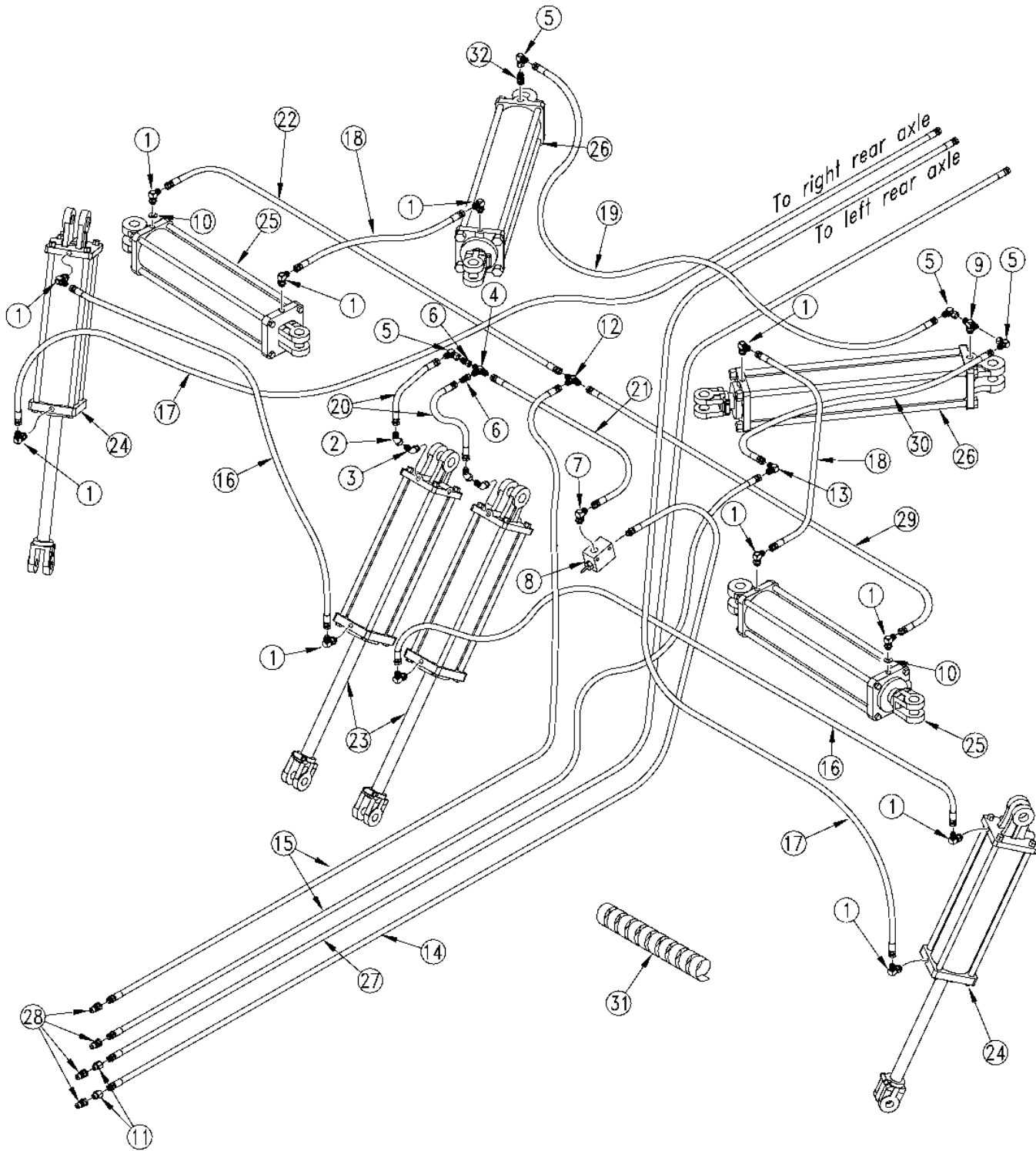


## 1" x 12" Double "V" Press Wheel

Ref.	Part No.	Part Description	Comments
1.	814-174C	1 X 12 PRESS WHL ASSY-5203BRG	
2.	803-088C	NUT HEX LOCK 1/4-20 FLG	
3.	817-330C	1 X 12 PRESS WHEEL RIM HALF	
4.	814-034C	TIRE RUBBER 1 X 12	
5.	822-170C	BEARING PRESS WHEEL ASSEMBLY	
6.	802-005C	HHCS 1/4-20X1 GR5	
7.	405-049D	PW HANDLE	
8.	405-004D	PW HANDLE TUBE	
9.	805-019C	PIN COTTER 5/32 X 1 PLT	
10.	805-183C	PIN CLEVIS 7/16 X 3 17/64 USBL	
11.	405-031D	1/4 PW SPACER 5/8 DIA	
12.	404-147D	PARALLEL ARM PIVOT TUBE	
13.	802-060C	HHCS 5/8-11X4 GR5	
14.	807-113C	SPRING EXT 1 7/8ODX8 3/8X.25W	
15.	803-263C	NUT HEX FLANGE LOCK 5/8-11 PLT	
16.	405-015H	CLOSEING WHEEL ARM WELD	
17.	404-164D	CLOSING WHEEL MOUNT	
18.	802-055C	HHCS 5/8-11X2 GR5	
19.	802-091C	HHCS 1/2-13X1 1/2 GR5	
20.	802-258C	HHCS 1/2-13X1 GR5	
21.	804-015C	WASHER LOCK SPRING 1/2 PLT	
22.	405-032D	1X12 PW ADJUSTER	

**Legend:** ● = 1st revision; ● = 2nd revision; ● = 3rd revision; ● = use up existing stock; ⊗ = not interchangeable; ⊗ ① ● = for example: revision 2 is not interchangeable w/revision 1

# Lift And Fold Hydraulics



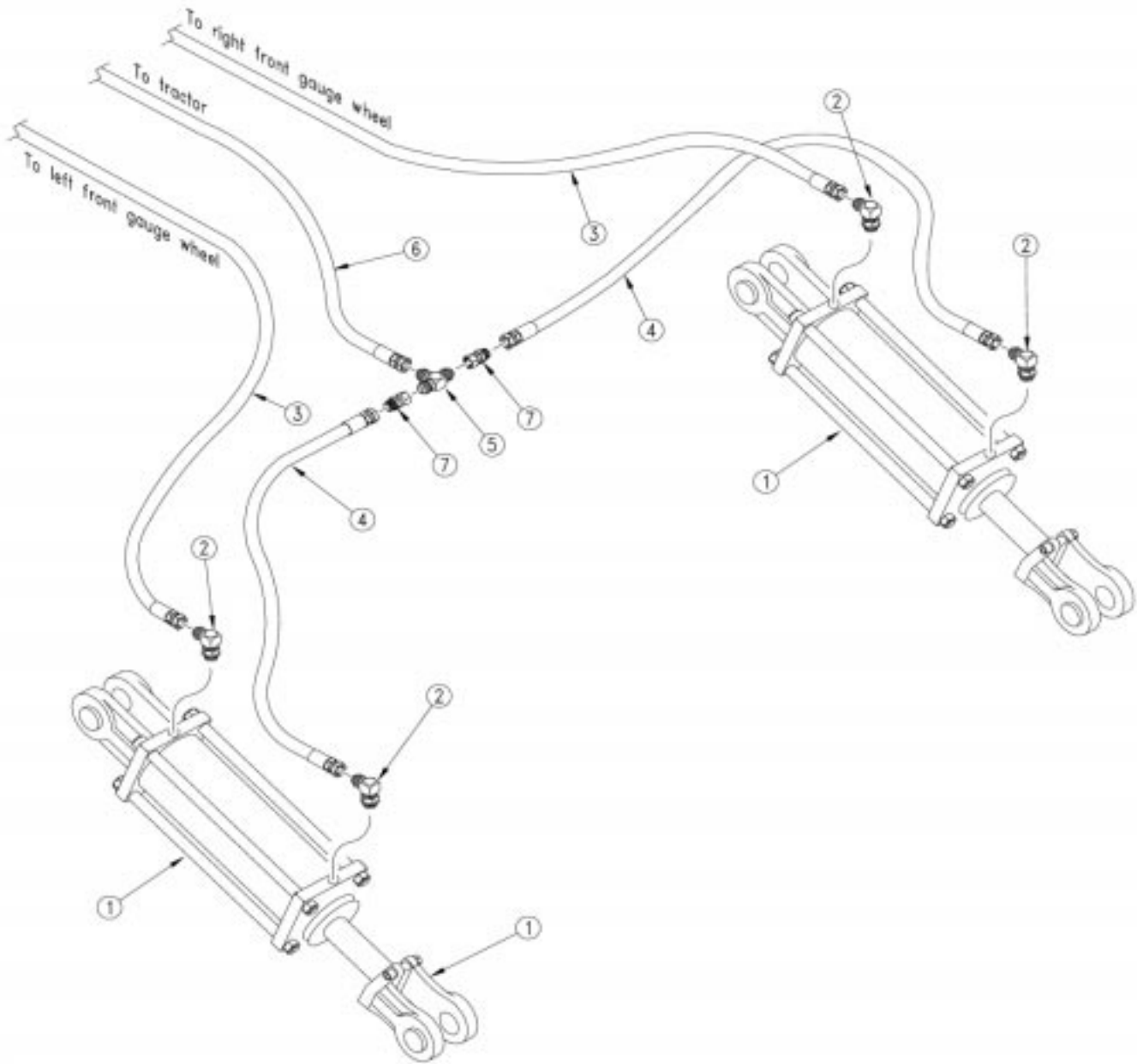


## Lift And Fold Hydraulics

Ref.	Part No.	Part Description	Comments
1.	811-063C	EL 3/4MJIC 3/4MORB	
2.	811-040C	EL 45 3/4MJIC 3/4FJIC	
3.	811-690C	EL 45 3/4MORB 3/4MJIC	
4.	811-805C	TE 1 1/16 MJIC	
5.	811-150C	EL 3/4FJIC 3/4MJIC	
6.	811-090C	AD 1 1/16 FJICS 3/4MJIC	
7.	811-411C	EL 1 1/16MJIC 1 1/16MORB	
8.	810-503C	VALVE, STROKE CTRL 35 GPM -12	Refer to page 9-19 for breakdown
9.	811-077C	TE 3/4MORB 3/4MJIC 3/4MJIC	
10.	196-430D	ORIFICE PLATE 1/16 3/4	
11.	811-806C	AD 1 1/16 FORB 3/4 MORB	
12.	811-078C	TE 3/4MJIC	
13.	811-725C	EL 90 3/4MJIC	
14.	811-813C	HH3/4R12 531 1.06MORB	
15.	811-815C	HH1/2R2 336 3/4FJIC 3/4MORB	
16.	841-057C	HH1/2R2 304 3/4FJIC	
17.	811-808C	HH1/2R2 448 3/4FJIC	
18.	811-382C	HH1/2R2 256 3/4FJIC	
19.	811-485C	HH1/2R2 100 3/4FJIC 3/4FJIC	
20.	811-268C	HH1/2R2 048 3/4FJIC	
21.	811-811C	HH3/4R12 048 1.06FJIC	
22.	811-810C	HH1/2R2 360 3/4FJIC	
23.	810-496C	CYL REP 5X16X1.5 ROD (TIE)	Refer to page 9-15 for breakdown
24.	810-497C	CYL REP 4.75X16X1.5 ROD (TIE)	Refer to page 9-13 for breakdown
25.	810-500C	CYL REP 5X20X2 ROD (TIE)	Refer to page 9-7 for breakdown
26.	810-499C	CYL REP 5X24X2 ROD (TIE)	Refer to page 9-9 for breakdown
27.	811-814C	HH3/4R12 510 1.06MORB 1.06FJIC	
28.	811-394C	CP 3/4FORB MALE QD	
29.	811-485C	HH1/2R2 100 3/4FJIC 3/4FJIC	
30.	811-785C	HH1/2R2 168 3/4FJIC	
31.	990-223R	SPIRAL HOSE WRAP 2.00 DIA	3 ft required at each toolbar
32.	811-088C	AD 3/4MORB 3/4MJIC	

## Rear Axle Hydraulics

---

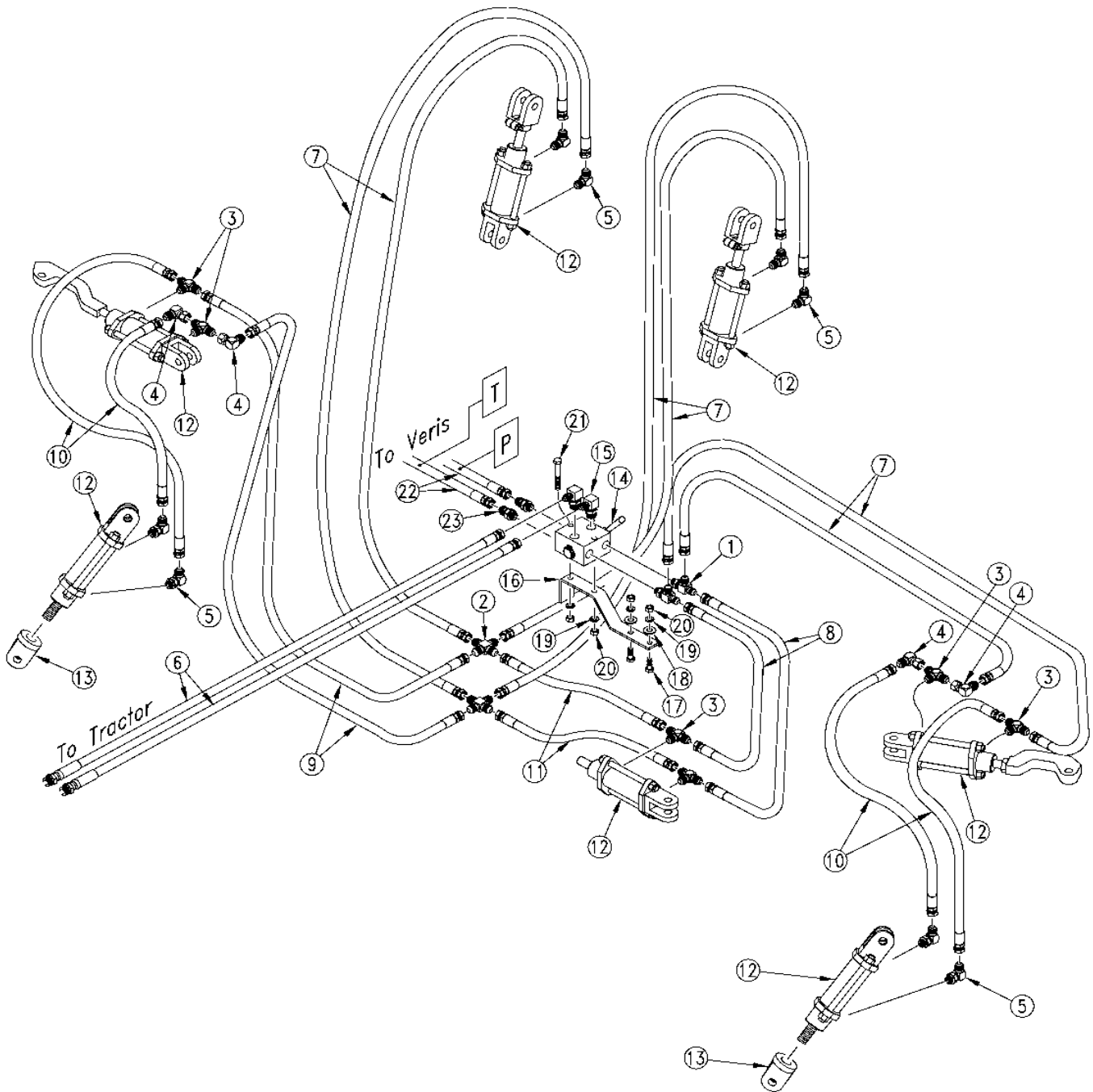


## Rear Axle Hydraulics

---

Ref.	Part No.	Part Description	Comments
1.	810-498C	CYL REP 4.5X16X1.5 ROD (TIE)	Refer to page 9-11
2.	811-063C	EL 3/4MJIC 3/4MORB	
3.	811-808C	HH1/2R2 448 3/4FJIC	
4.	811-807C	HH1/2R2 120 3/4FJIC	
5.	811-805C	TE 1 1/16 MJIC	
6.	811-814C	HH3/4R2 534 1.06MORB 1.06FJIC	
7.	811-090C	AD 1 1/16 FJICS 3/4MJIC	

# Lock Cylinder Hydraulics

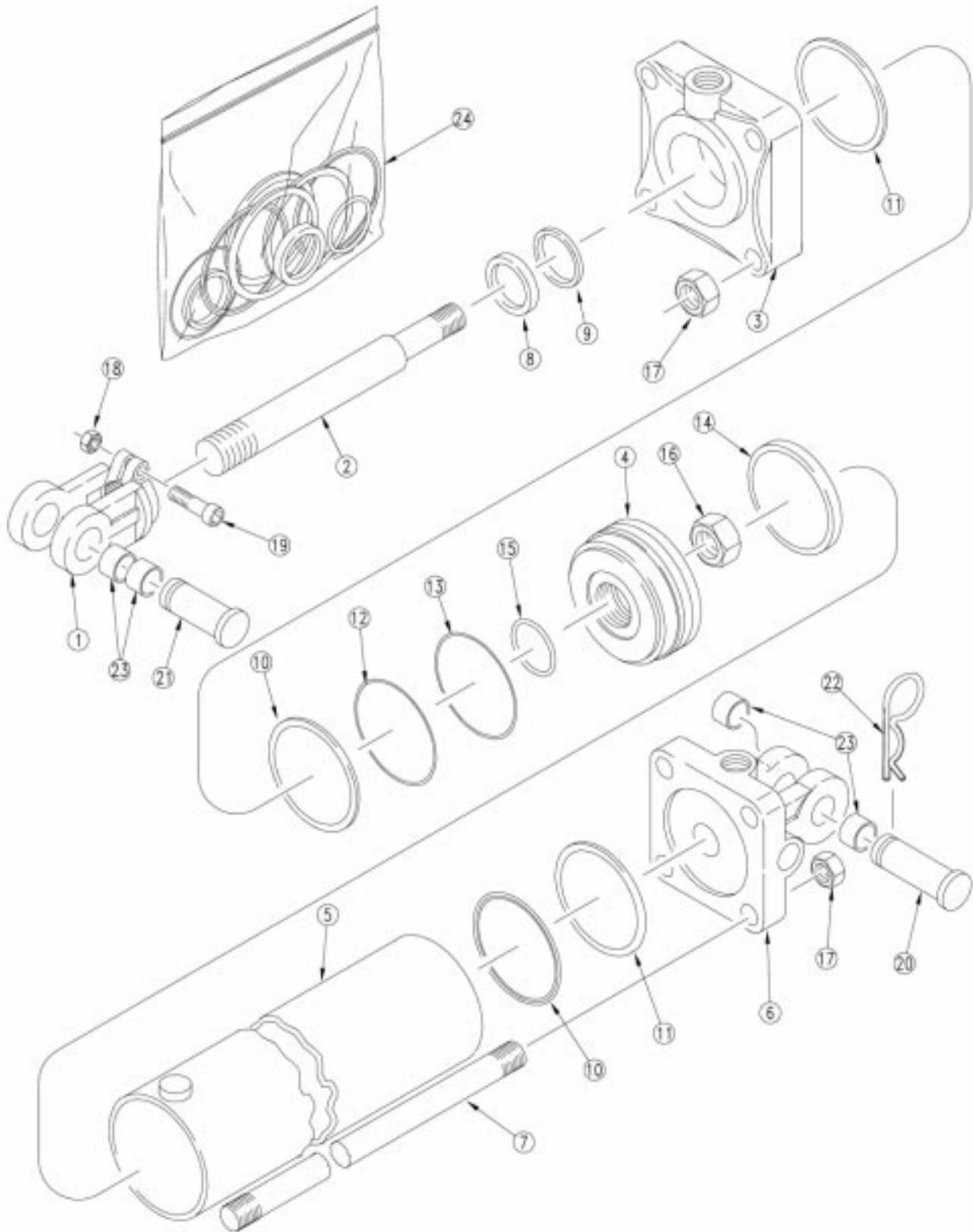


## Lock Cylinder Hydraulics

Ref.	Part No.	Part Description	Comments
1.	811-249C	TE 9/16MJIC 9/16MJIC 3/4MORB	
2.	811-581C	CR 9/16MJIC	
3.	811-439C	TE 9/16MORB 9/16MJIC 9/16MJIC	
4.	811-169C	EL 9/16MJIC 9/16FJIC	
5.	811-065C	EL 9/16MJIC 9/16MORB	
6.	841-056C	HH1/2R1 336 3/4MORB 3/4FJIC	
7.	811-230C	HH1/4R1 095 9/16FJIC	
8.	811-781C	HH1/4R1 048 9/16FJIC	
9.	811-876C	HH1/4R1 220 9/16FJIC	
10.	Ⓣ 811-178C	<b>HH1/4R1 114 9/16FJIC</b>	
	Ⓛ 811-229C	<b>HH1/4R1 119 9/16FJIC</b>	
11.	811-212C	HH1/4R1 102 9/16FJIC	
12.	810-201C	CYL 1.5X2.5X.75 ROD (TIE ROD)	Refer to page 9-17 for breakdown
13.	810-491C	MIDWAY ROD CLEVIS 3/4-16 UNF	
14.	810-274C	DOUBLE SELECTOR VALVE 3/4FORB	Refer to page 9-21 for breakdown
15.	811-063C	EL 3/4MJIC 3/4MORB	
16.	196-862D	SELECTOR VALVE MOUNT STRAP	
17.	802-017C	HHCS 3/8-16X1 GR5	
18.	804-011C	WASHER FLAT 3/8 USS PLT	
19.	804-013C	WASHER LOCK SPRING 3/8 PLT	
20.	803-014C	NUT HEX 3/8-16 PLT	
21.	802-024C	HHCS 3/8-16X3 GR5	
22.	VER-25390	HH1/2M3K 3/4FJIC 3/4FJIC90X180	
23.	811-088C	AD 3/4MORB 3/4MJIC	

**Legend:** Ⓛ = 1st revision; Ⓣ = 2nd revision; Ⓛ = 3rd revision; ● = use up existing stock; ⊗ = not interchangeable; ⊗ Ⓛ = for example: revision 2 is not interchangeable w/revision 1

### Hydraulic Cylinder (810-500C 5x20x2 Rod)

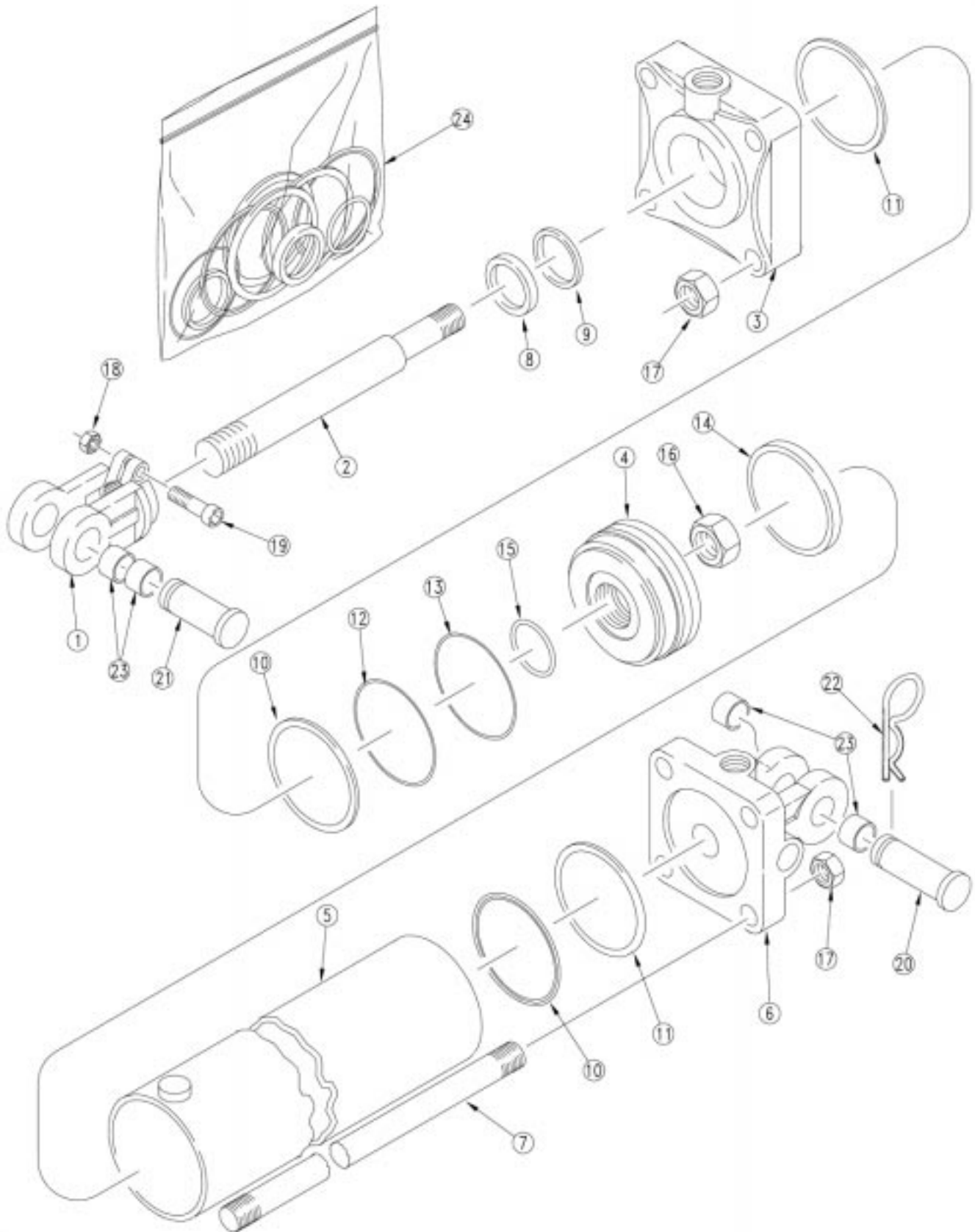


## Hydraulic Cylinder (810-500C 5x20x2 Rod)

Ref.	Part No.	Part Description	Comments
1.	1M7028	MIDWAY CLEVIS	
2.	2S8694	ROD MIDWAY 5X20X2.0	
3.	3R9612	MW HEAD	
4.	4R9108	PISTON MIDWAY	
5.	5R9128	TUBE MIDWAY	
6.	6R9171	BASE MIDWAY	
7.	7M8328	TIE ROD MIDWAY	
8.		MW WIPER	Only available in item 23
9.		U-CUP	Only available in item 23
10.		O-RING	Only available in item 23
11.		MW BACK UP	Only available in item 23
12.		TEFLON SEAL	Only available in item 23
13.		O-RING LOADER MIDWAY	Only available in item 23
14.		WEAR RING	Only available in item 23
15.		MW O-RING	Only available in item 23
16.	2A0025	MW PISTON NUT	
17.	2A0019	TIE ROD NUT MIDWAY	
18.	2A0012	MW NUT CLEVIS & TIE ROD	
19.	802-023C	HHCS 3/8-16X1 3/4 GR5	
20.	2A0218	CLEVIS PIN MIDWAY	
21.	2A0215	CLEVIS PIN MIDWAY	
22.	2A0132	MW PIN CLIP	
23.	890-620C	BUSHING,1 1/2X1 1/4X3/4LG	
24.	810-508C	SEAL KIT MW (4A9106)	

**Legend:** ● = 1st revision; ● = 2nd revision; ● = 3rd revision; ● = use up existing stock; ⊗ = not interchangeable; ⊗ ① ● = for example: revision 2 is not interchangeable w/revision 1

### Hydraulic Cylinder (810-499C 5x24x2 Rod)



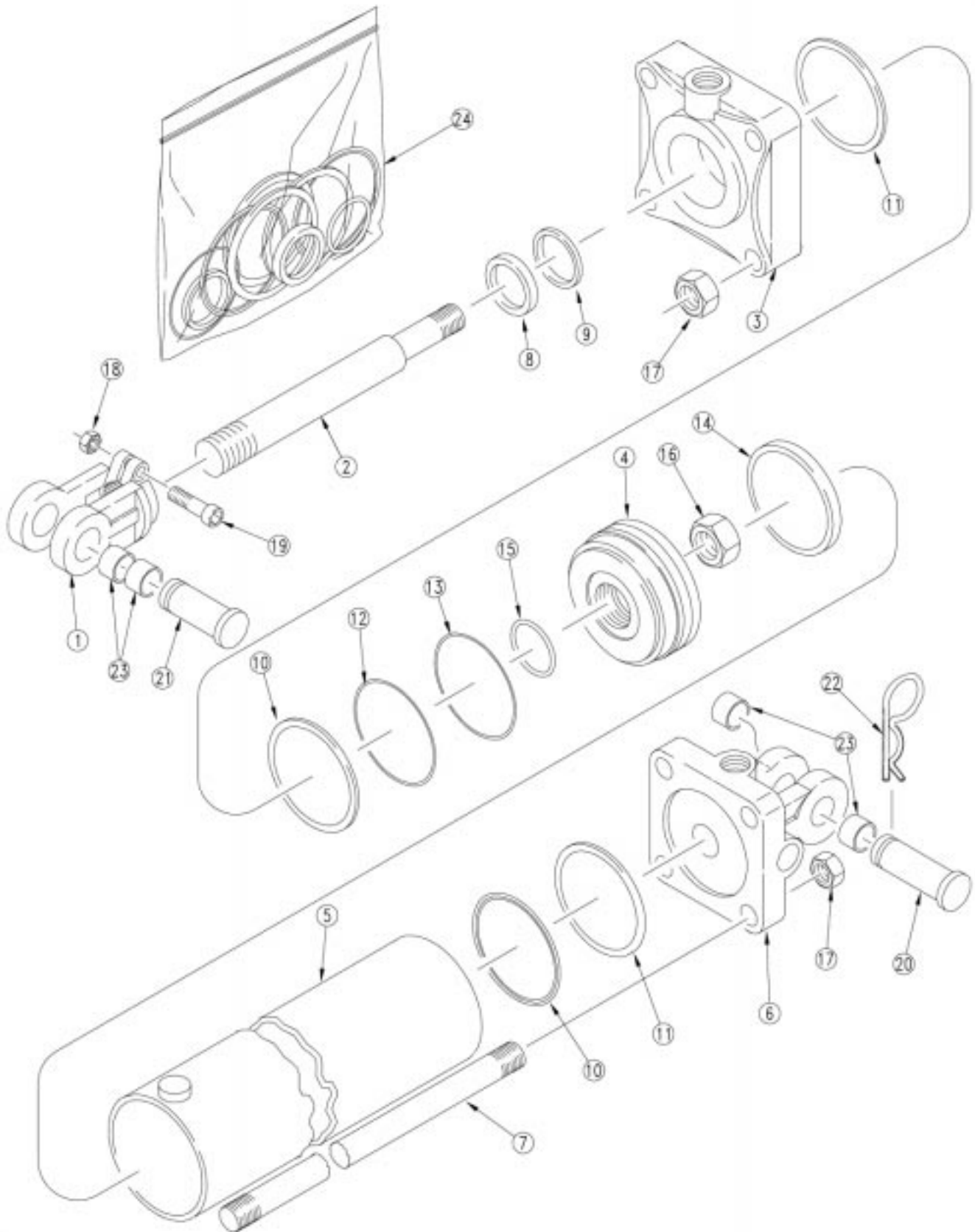
20297



## Hydraulic Cylinder (810-499C 5x24x2 Rod)

Ref.	Part No.	Part Description	Comments
1.	1M7028	MIDWAY CLEVIS	
2.	2S8698	ROD MIDWAY 5X24X2.0	
3.	3R9612	MW HEAD	
4.	4R9108	PISTON MIDWAY	
5.	5R9132	TUBE MIDWAY	
6.	6R9169	BASE MIDWAY	
7.	7M8332	TIE ROD MIDWAY	
8.		MW WIPER	Only available in item 23
9.		U-CUP	Only available in item 23
10.		O-RING	Only available in item 23
11.		MW BACK UP	Only available in item 23
12.		TEFLON SEAL	Only available in item 23
13.		O-RING LOADER MIDWAY	Only available in item 23
14.		WEAR RING	Only available in item 23
15.		MW O-RING	Only available in item 23
16.	2A0025	MW PISTON NUT	
17.	2A0019	TIE ROD NUT MIDWAY	
18.	2A0012	MW NUT CLEVIS & TIE ROD	
19.	802-023C	HHCS 3/8-16X1 3/4 GR5	
20.	2A0218	CLEVIS PIN MIDWAY	
21.	2A0215	CLEVIS PIN MIDWAY	
22.	2A0132	MW PIN CLIP	
23.	890-620C	BUSHING,1 1/2X1 1/4X3/4LG	
24.	810-508C	SEAL KIT MW (4A9106)	

## Hydraulic Cylinder (810-498C 4.5x16x1.5 Rod)

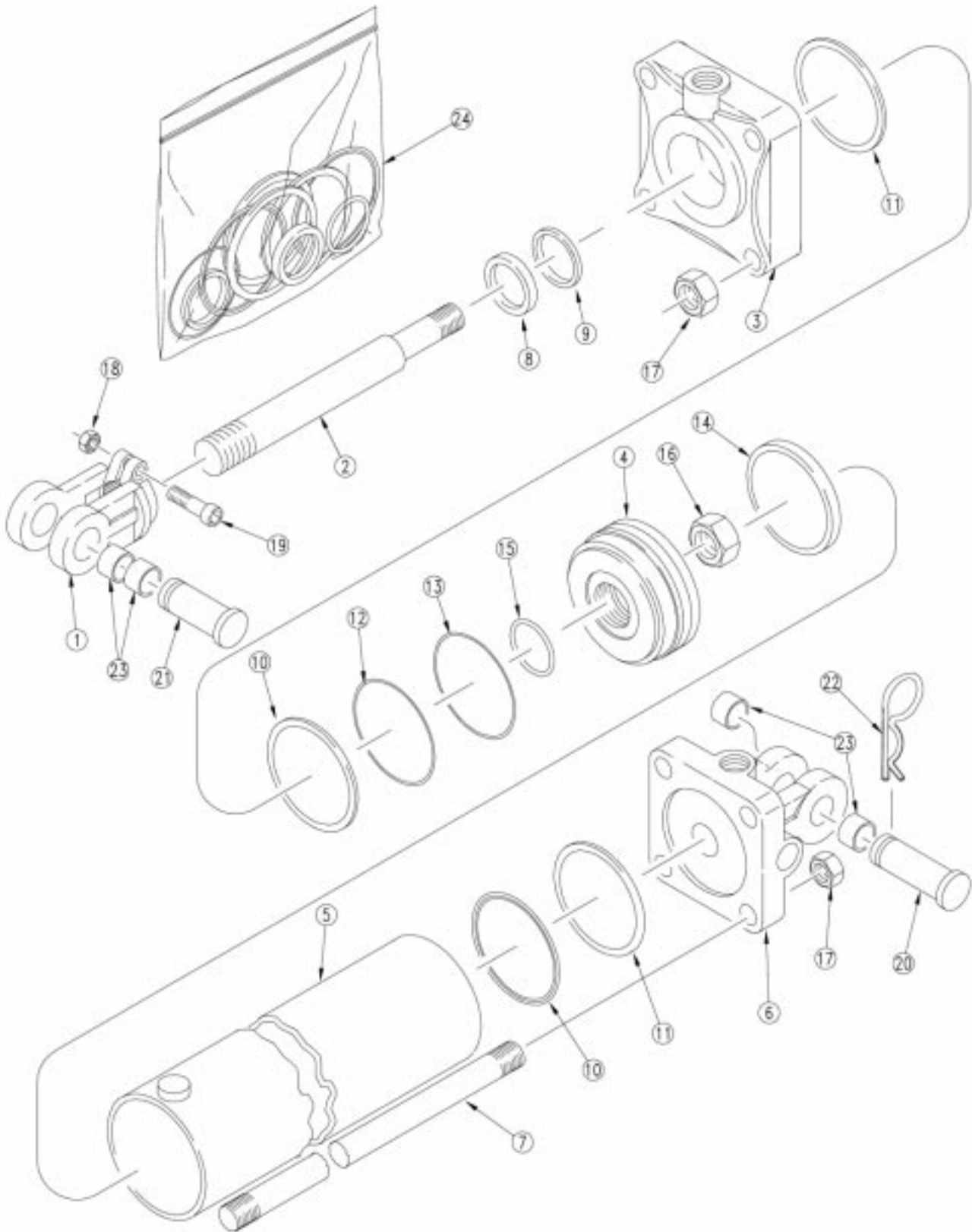


20297

## Hydraulic Cylinder (810-498C 4.5x16x1.5 Rod)

Ref.	Part No.	Part Description	Comments
1.	1M7028	MIDWAY CLEVIS	
2.	2S7584	ROD MIDWAY	
3.	3R7512	HEAD MIDWAY	
4.	4R7112	PISTON MIDWAY	
5.	5R7324	TUBE MIDWAY	
6.	6R7191	BASE MIDWAY	
7.	7M7324	MW TIE ROD	
8.		MW WIPER	Only available in item 23
9.		U-CUP	Only available in item 23
10.		O-RING	Only available in item 23
11.		BACK-UP MIDWAY	Only available in item 23
12.		SEAL, TEFLON MIDWAY	Only available in item 23
13.		O-RING LOADER MIDWAY	Only available in item 23
14.		WEAR RING MIDWAY	Only available in item 23
15.		MW O-RING	Only available in item 23
16.	2A0025	MW PISTON NUT	
17.	2A0019	TIE ROD NUT MIDWAY	
18.	2A0012	MW NUT CLEVIS & TIE ROD	
19.	802-023C	HHCS 3/8-16X1 3/4 GR5	
20.	2A0218	CLEVIS PIN MIDWAY	
21.	2A0215	CLEVIS PIN MIDWAY	
22.	2A0132	MW PIN CLIP	
23.	890-620C	BUSHING,1 1/2X1 1/4X3/4LG	
24.	810-158C	SEAL KIT MW 4.5 RPHCYL 4A7104	

### Hydraulic Cylinder (810-497C 4.75x16x1.5 Rod)

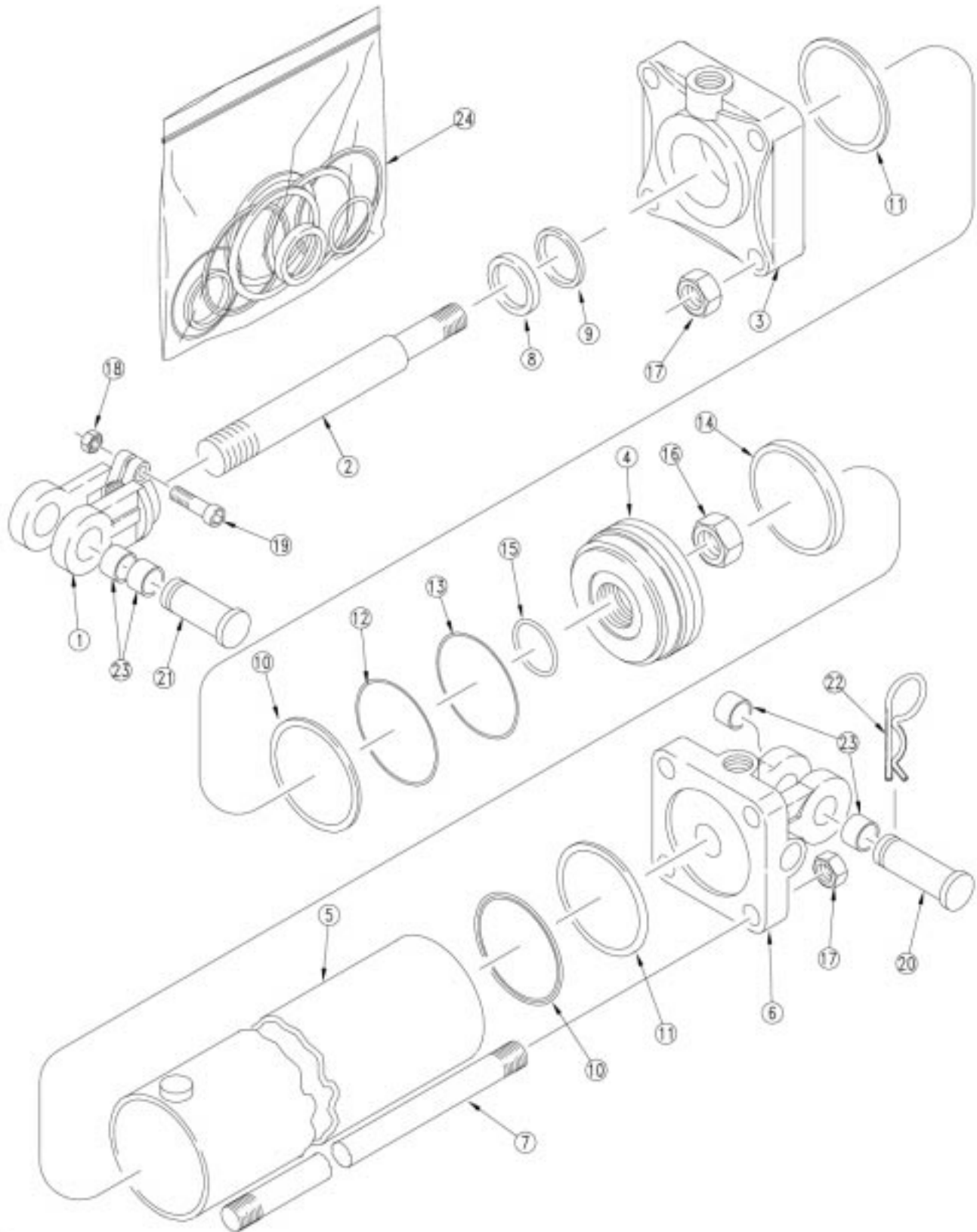


## Hydraulic Cylinder (810-497C 4.75x16x1.5 Rod)

Ref.	Part No.	Part Description	Comments
1.	1M7028	MIDWAY CLEVIS	
2.	2S8522	ROD MIDWAY	
3.	3R8512	MIDWAY HEAD F/ 4 3/4 CYL	
4.	4R8108	PISTON MIDWAY	
5.	5R8124	TUBE MIDWAY	
6.	6R8171	BASE MIDWAY	
7.	7M8324	TIE ROD MIDWAY	
8.		MW WIPER	Only available in item 23
9.		U-CUP	Only available in item 23
10.		O-RING MIDWAY	Only available in item 23
11.		MW BACK UP	Only available in item 23
12.		SEAL, TEFLON MIDWAY	Only available in item 23
13.		O-RING LOADER MIDWAY	Only available in item 23
14.		WEAR RING MIDWAY	Only available in item 23
15.		MW O-RING	Only available in item 23
16.	2A0025	MW PISTON NUT	
17.	2A0019	TIE ROD NUT MIDWAY	
18.	2A0012	MW NUT CLEVIS & TIE ROD	
19.	802-023C	HHCS 3/8-16X1 3/4 GR5	
20.	2A0218	CLEVIS PIN MIDWAY	
21.	2A0215	CLEVIS PIN MIDWAY	
22.	2A0132	MW PIN CLIP	
23.	890-620C	BUSHING,1 1/2X1 1/4X3/4LG	
24.	810-160C	SEAL KIT MW 4.75 RPHCYL 4A8104	

**Legend:** ● = 1st revision; ● = 2nd revision; ● = 3rd revision; ● = use up existing stock; ⊗ = not interchangeable; ⊗ ① ● = for example: revision 2 is not interchangeable w/revision 1

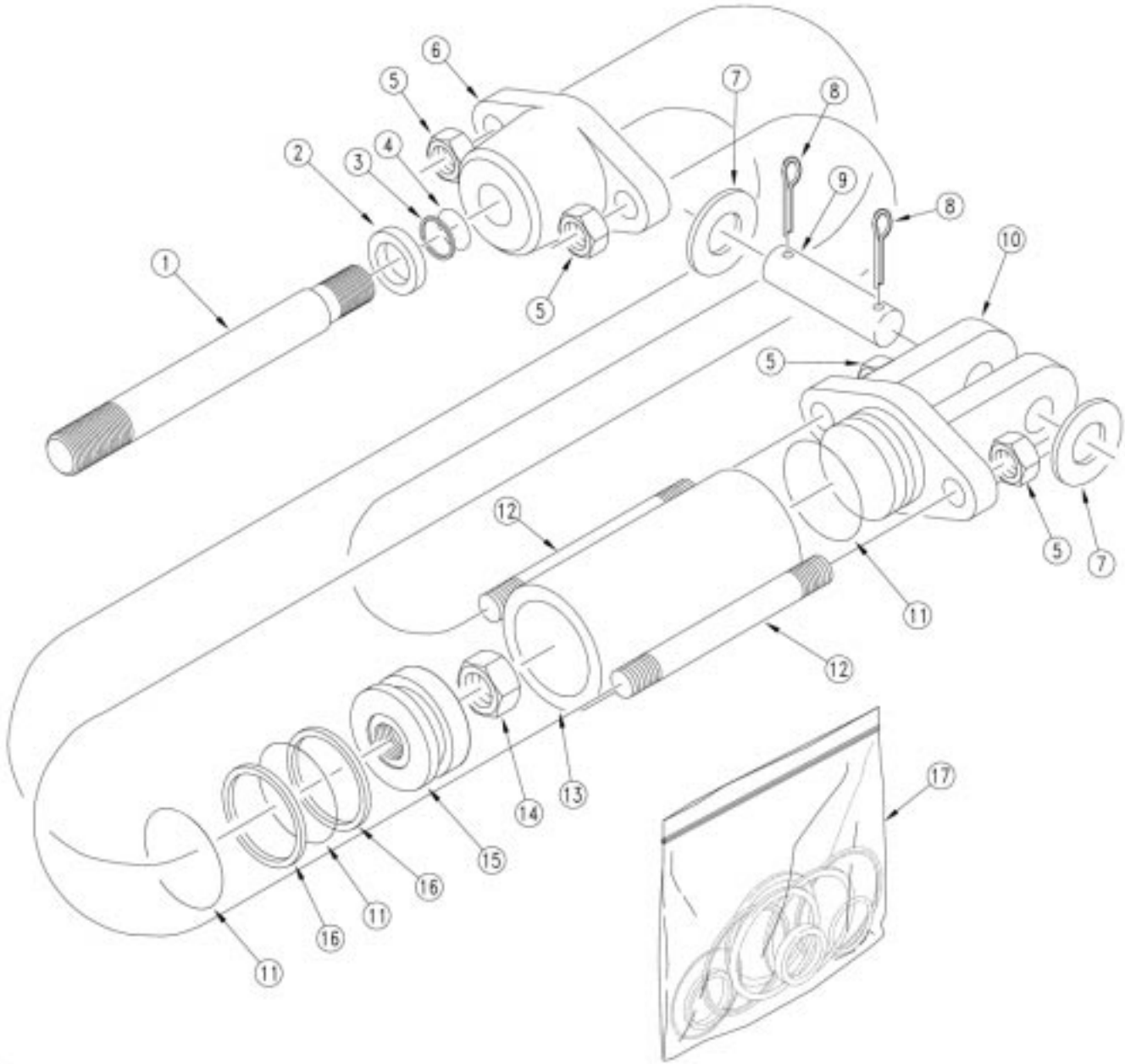
### Hydraulic Cylinder (810-496C 5x16x1.5 Rod)



## Hydraulic Cylinder (810-496C 5x16x1.5 Rod)

Ref.	Part No.	Part Description	Comments
1.	1M7028	MIDWAY CLEVIS	
2.	2S8522	ROD MIDWAY	
3.	3R9512	MIDWAY HEAD	
4.	4R9108	PISTON MIDWAY	
5.	5R9124	TUBE MIDWAY	
6.	6R9171	BASE MIDWAY	
7.	7M8324	TIE ROD MIDWAY	
8.		MW WIPER	Only available in item 23
9.		U-CUP	Only available in item 23
10.		O-RING	Only available in item 23
11.		MW BACK UP	Only available in item 23
12.		SEAL, TEFLON MIDWAY	Only available in item 23
13.		O-RING LOADER MIDWAY	Only available in item 23
14.		WEAR RING MIDWAY	Only available in item 23
15.		MW O-RING	Only available in item 23
16.	2A0025	MW PISTON NUT	
17.	2A0019	TIE ROD NUT MIDWAY	
18.	2A0012	MW NUT CLEVIS & TIE ROD	
19.	802-023C	HHCS 3/8-16X1 3/4 GR5	
20.	2A0218	CLEVIS PIN MIDWAY	
21.	2A0215	CLEVIS PIN MIDWAY	
22.	2A0132	MW PIN CLIP	
23.	890-620C	BUSHING,1 1/2X1 1/4X3/4LG	
24.	810-507C	SEAL KIT MW (4A9104)	

# Hydraulic Cylinder (810-201C 1.5x2.5x.75 Rod)





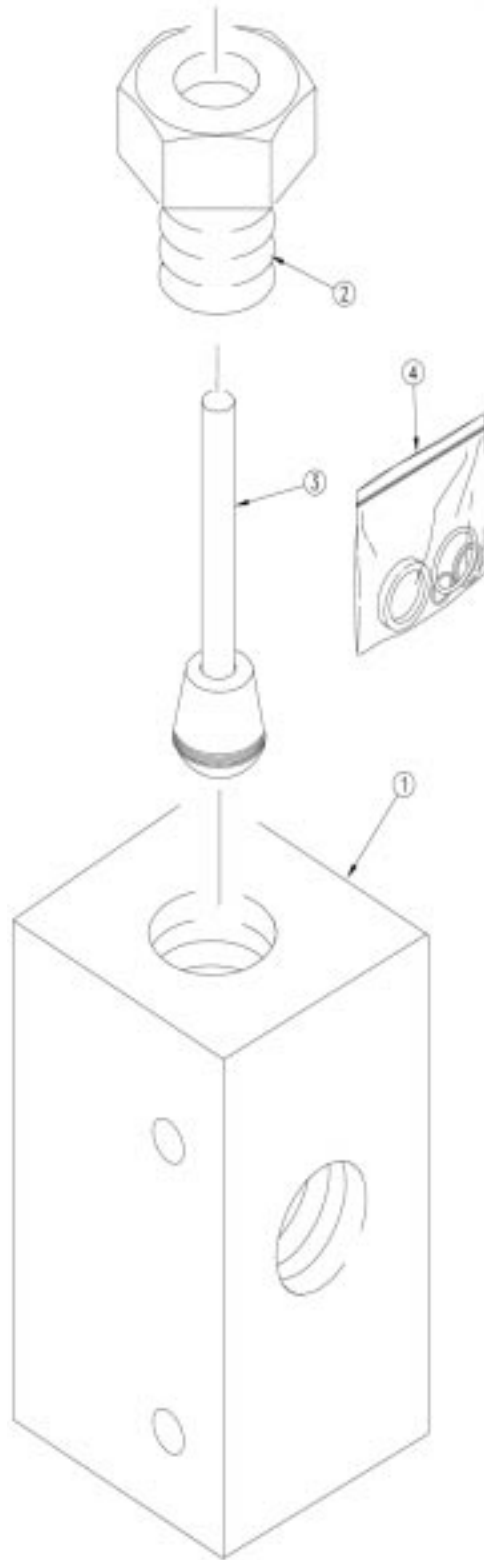
## Hydraulic Cylinder (810-201C 1.5x2.5x.75 Rod)

Ref.	Part No.	Part Description	Comments
1.	2M1190	MW ROD	
2.		WIPER SEAL	Only available in item 17
3.		BACKUP	Only available in item 17
4.		O-RING	Only available in item 17
5.	2A0014	MW TIE ROD NUT	
6.	3M1108	MW HEAD	
7.	804-021C	WASHER FLAT 5/8 SAE PLT	
8.	2A0130	MW COTTER PIN	
9.	2A0202	MW CLEVIS PIN	
10.	6M1108	MW BASE	
11.		O-RING	Only available in item 17
12.	7M1302	MW TIE ROD	
13.	5M1103	MW TUBE	
14.	2A0018	MW TIE ROD NUT	
15.	4M1102	MW PISTON	
16.		BACKUP	Only available in item 17
17.	810-249C	SEAL KIT MW 3A1102	

**NOTE: Does not include clevis 810-491C**

## Stroke Control Valve (810-503C)

---



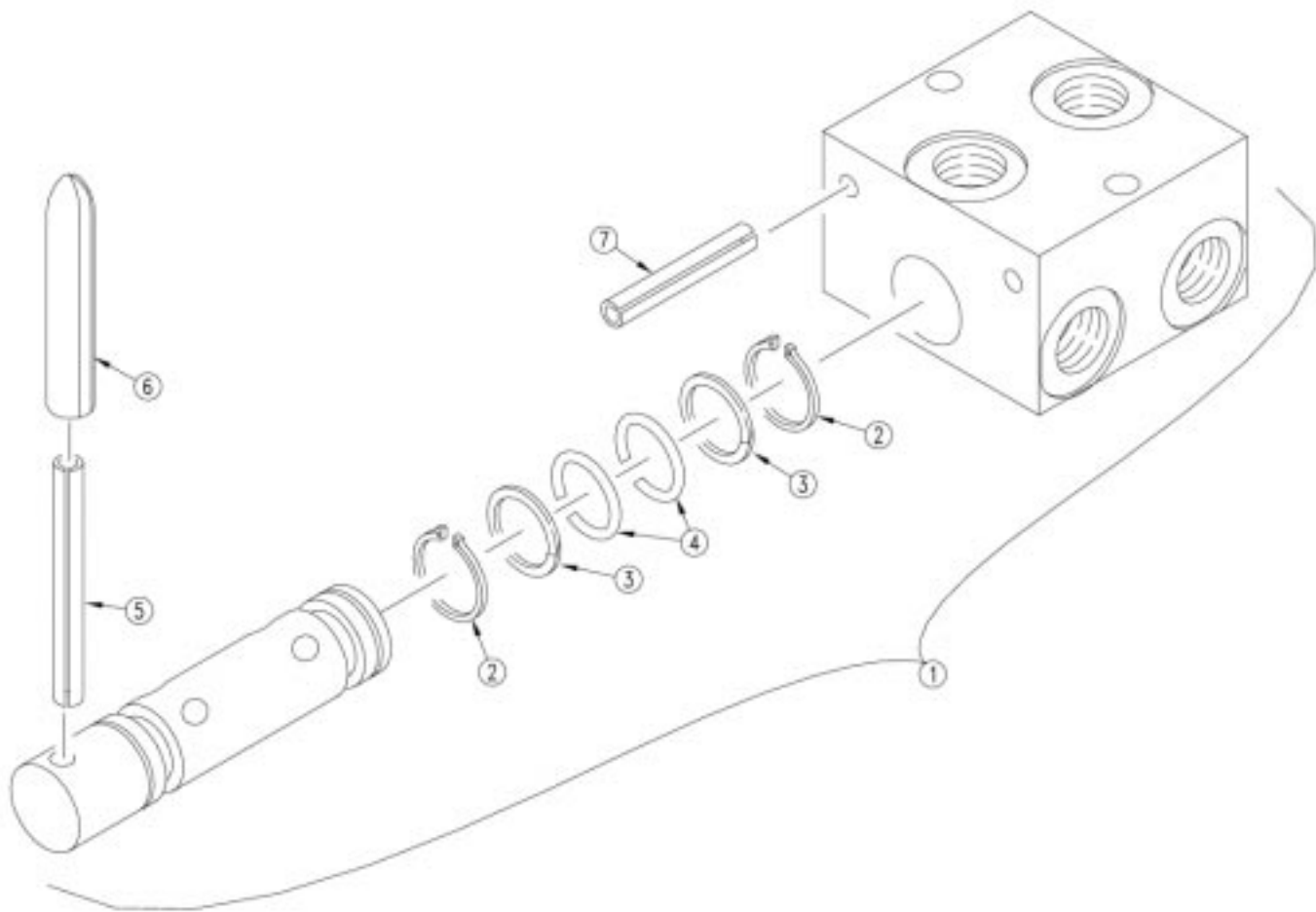
## Stroke Control Valve (810-503C)

---

Ref.	Part No.	Part Description	Comments
1.	5424	SHOEMAKER BODY	
2.	8103	SHOEMAKER ASM., PLUG ADAPTER	
3.	5425	SHOEMAKER POPPET	
4.	810-509C	SEAL KIT SHOEMAKER #5468	

## Double Selector Valve (810-274C)

---



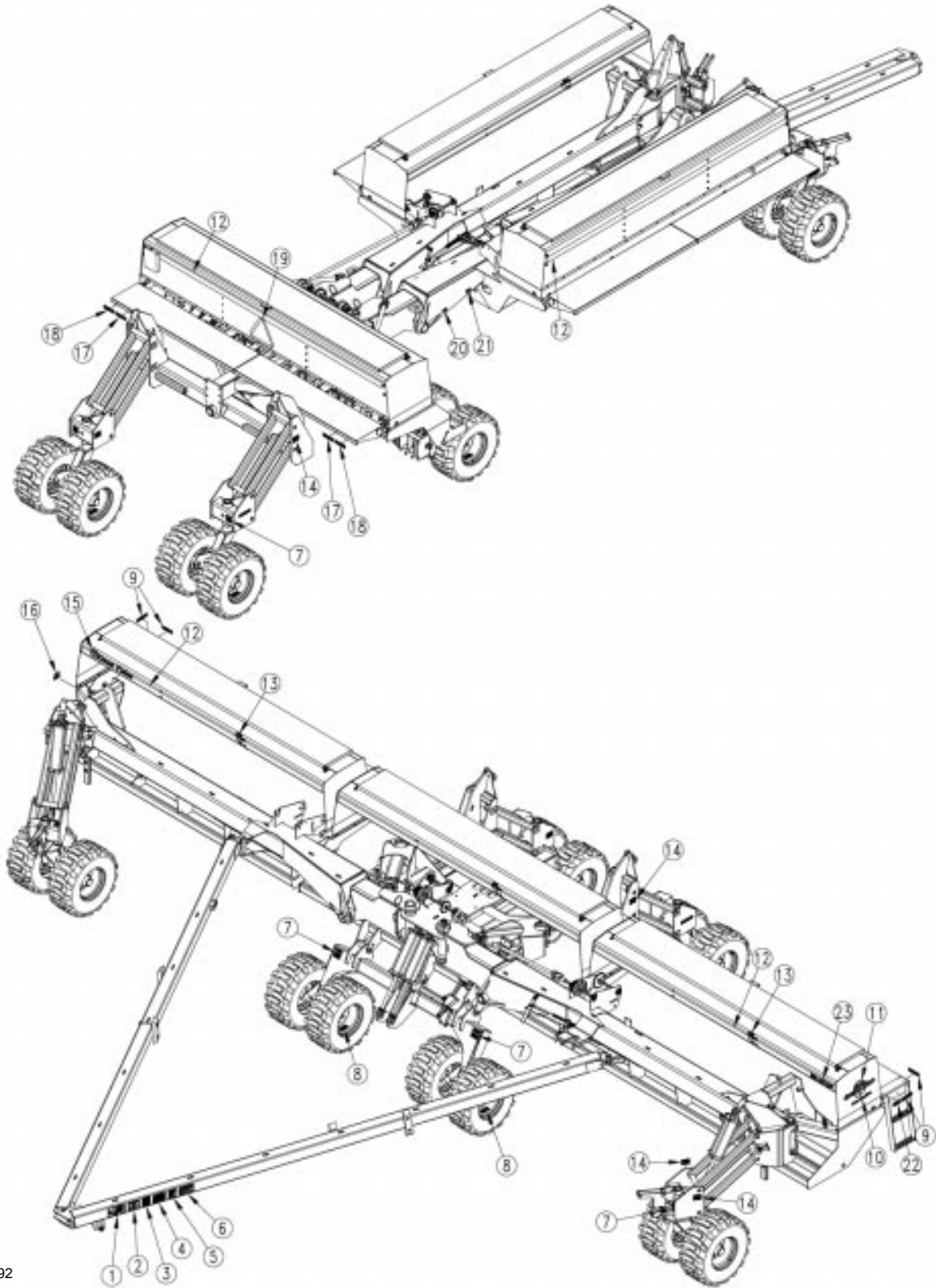
## Double Selector Valve (810-274C)

---

Ref.	Part No.	Part Description	Comments
1.	810-274C	DOUBLE SELECTOR VALVE 3/4FORB	
2.	1079	SH RETAINING RING TRU ARC	
3.	1089-210	SHOEMAKER TEFLON BACK UP	
4.	1088-210	SHOEMAKER O-RING BUNA N 70DURO	
5.	1285	SH GROOVE PIN	
6.	817-255C	BLACK VINYL GRIP	
7.	1084	SH PIN, SPRING 0.25 DIAMETER	

## Decals

---



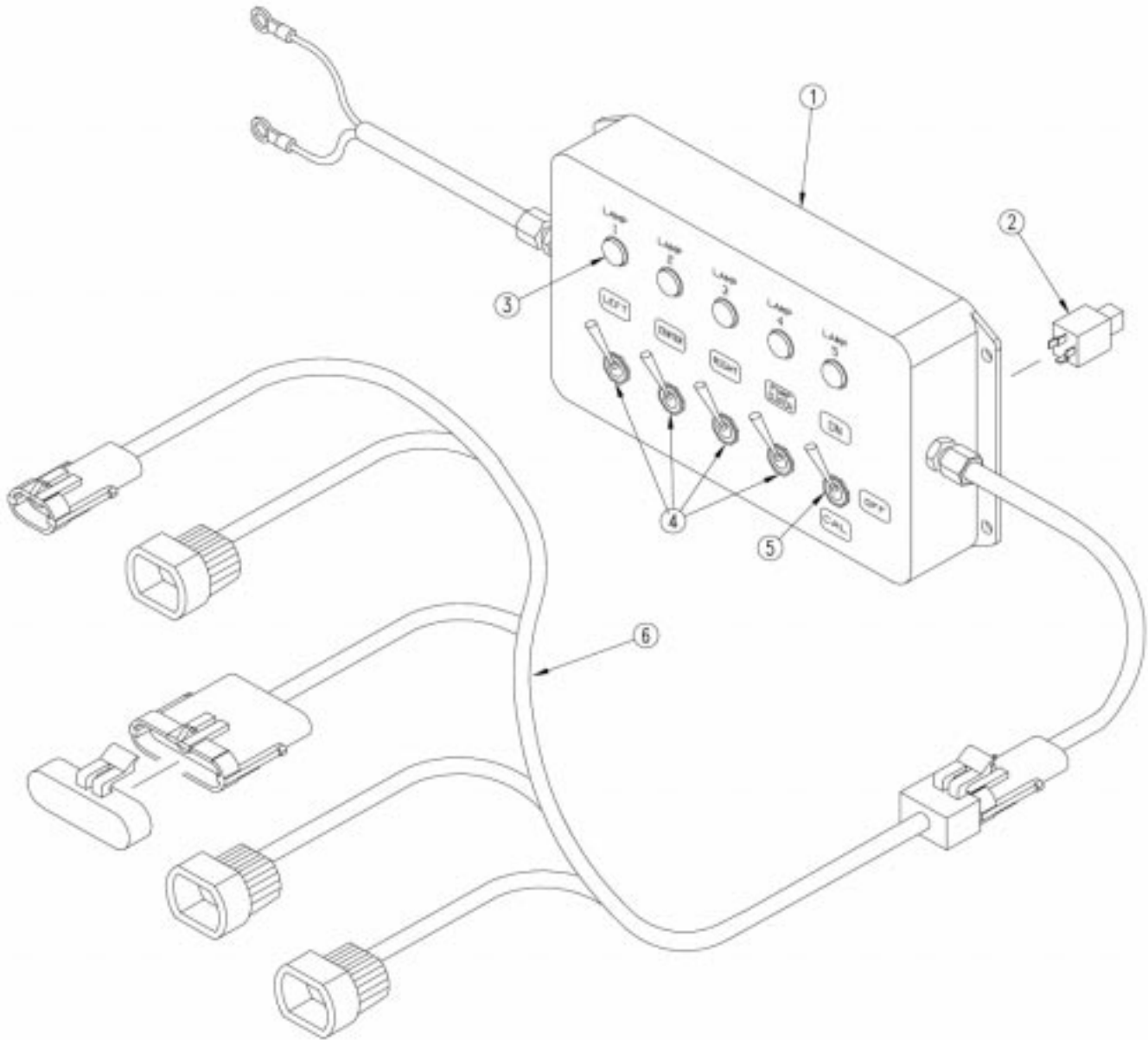
20292

## Decals

Ref.	Part No.	Part Description	Comments
1.	818-590C	DECAL DANGER CRUSH TRCTR & 3PT	
2.	818-557C	DECAL DANGER CANNOT READ ENG	
3.	818-339C	DECAL WARNING HIGH PRESSUR SML	
4.	818-043C	DECAL LIFT CYL OPERATING INSTR	
5.	818-587C	DECAL CAUTION OPERATIONAL MACH	
6.	818-188C	DECAL WARNING 20 MPH TRANS LRG	
7.	818-398C	DECAL CAUTION TIRES NOT A STEP	
8.	818-426C	DECAL PTO 826-117C 540RPM	
9.	838-265C	DECAL REFLECTOR AMBER 1 1/2X9	
10.	838-169C	DECAL SCRIPT SOLID STAND LARGE	
11.	838-228C	DECAL GREAT PLAINS ON LOGO SML	
12.	838-160C	DECAL 3 COLOR STRIPE 2.50 WIDE	
13.	838-237C	DECAL SEED LEVEL LH	
14.	818-045C	DECAL WARNING PINCH PT/CRUSH	
15.	838-161C	DECAL LOGO&GP F/STRIPE 4 X 24	
16.	838-153C	DECAL -P GROUND AND TUBE DIST	
17.	838-267C	DECAL REFLECTR DAYTIME 1 1/2X9	
18.	838-266C	DECAL REFLECTOR RED 1 1/2X9	
19.	818-003C	DECAL SLOW MOVING VEHICLE	
20.	818-257C	DECAL TRANSPORT LOCK ROAD	
21.	818-258C	DECAL TRANSPORT LOCK FIELD	
22.	838-102C	DECAL DANGER FALLING HAZZARD	
23.	838-538C	DECAL 3N-4010	
	838-539C	DECAL 3N-4020	

## Point Row

---





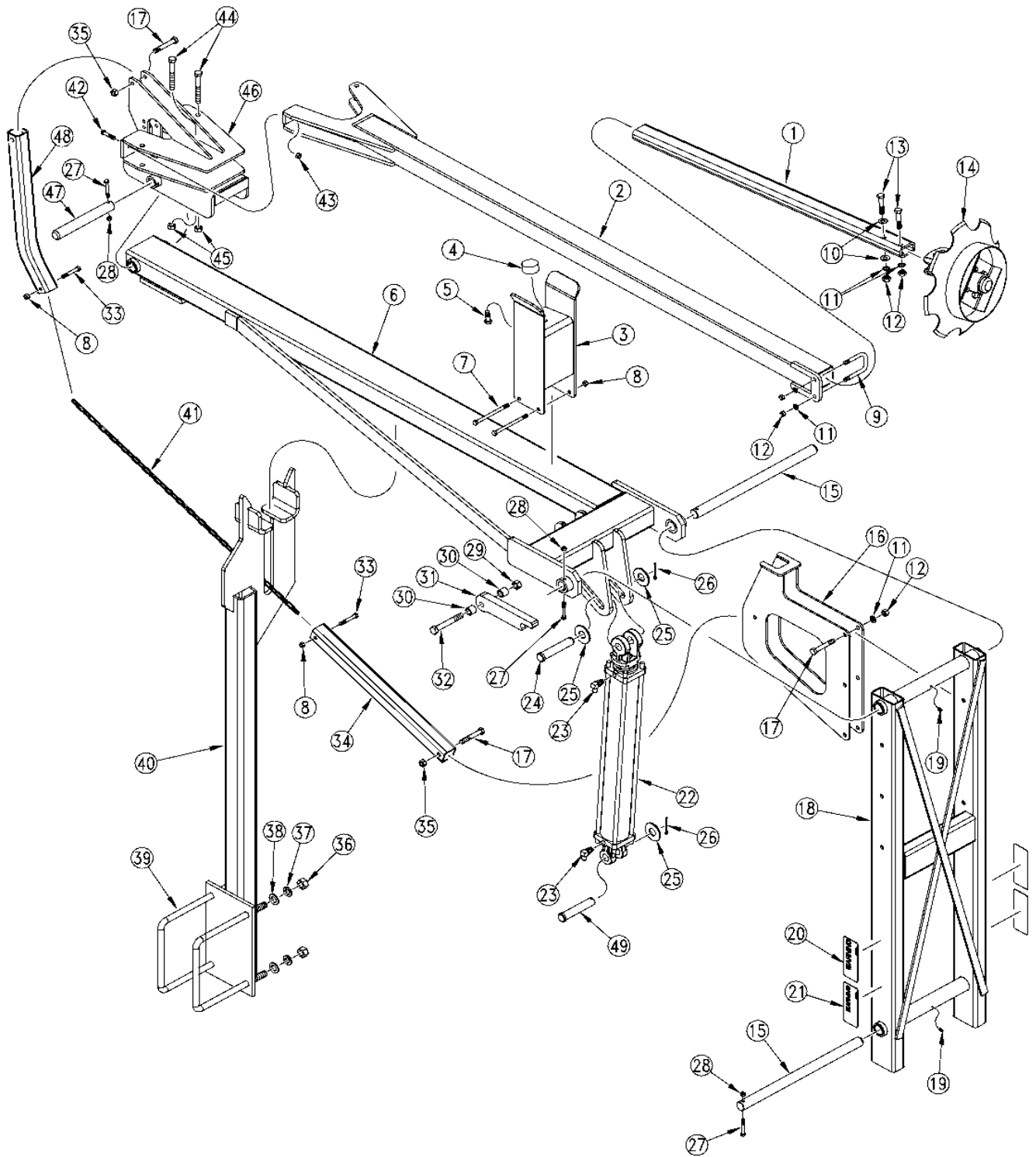
## Point Row

Ref.	Part No.	Part Description	Comments
1.	9107083	ELTX 40P CAB CONSOLE - CLUTCH	
2.	4411201	RELAY	
3.	4301115	RED INDICATOR LIGHT ELECTREX	
4.	4100010	TOGGLE SWITCH 2 POS ELECTREX	
5.	4112302	TOGGLE SWITCH 3 POS ELECTREX	
6.	9107084	ELTX 40P DRILL HARNESS-CLUTCH	

11

**Legend:** ● = 1st revision; ● = 2nd revision; ● = 3rd revision; ● = use up existing stock; ⊗ = not interchangeable; ⊗ ① ● = for example: revision 2 is not interchangeable w/revision 1

# Marker Arm



20287

## Marker Arm

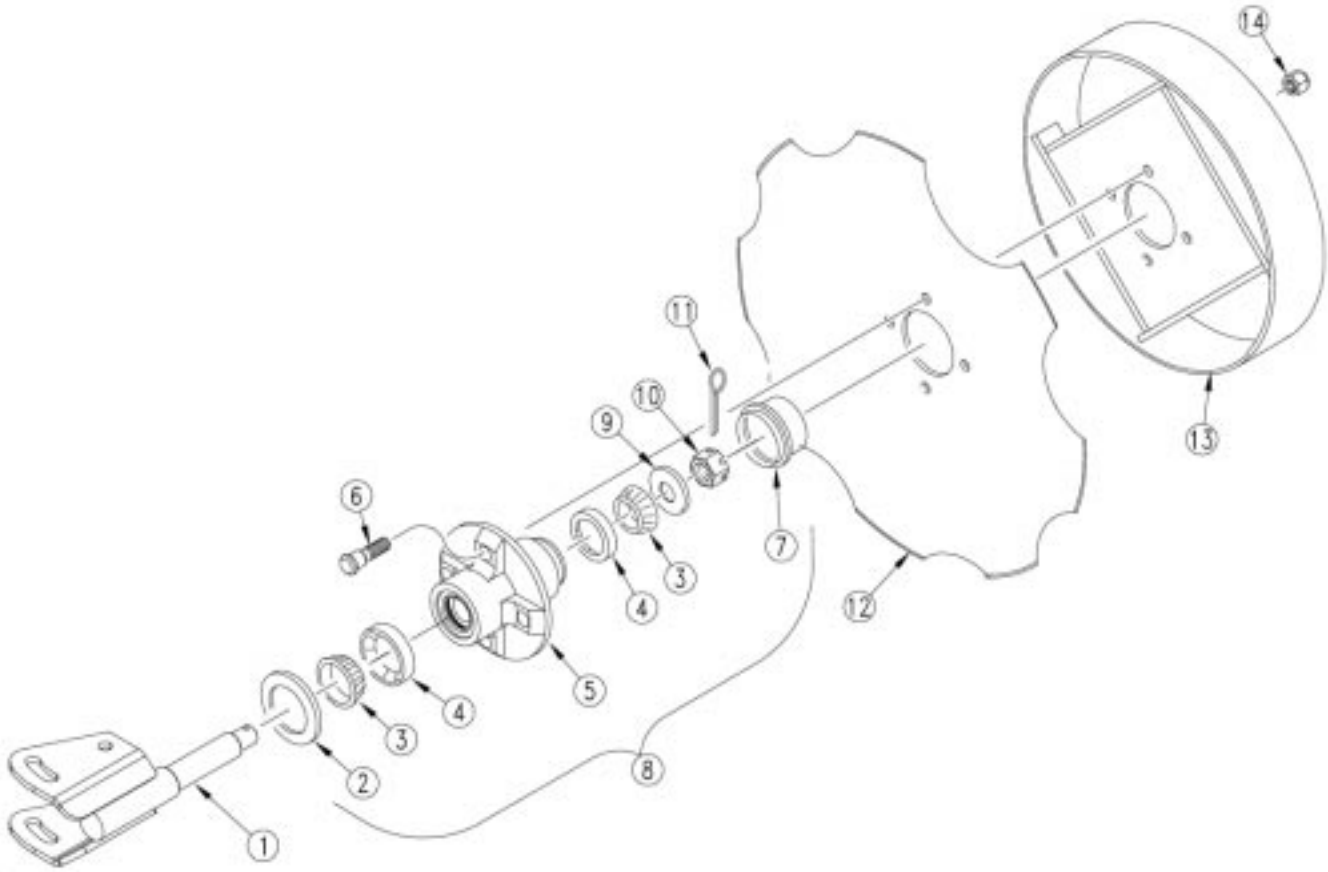
**12**

Ref.	Part No.	Part Description	Comments
1.	113-779H	40P MARKER EXT TUBE WLDMT	
2.	113-793H	MARKER SHEAR ARM 40P	
3.	113-725H	3S-4000 MARKER REST BRKT WLMT	
4.	816-170C	RD BUMP STOP 2 X 1 X 1/2-13	
5.	802-032C	HHCS 1/2-13X3/4 GR5	
6.	113-716H	3S-4000 MARKER 2ND SEC WLMT LH	Shown
	113-717H	3S-4000 MARKER 2ND SEC WLMT RH	
7.	802-381C	HHCS 3/8-16X6 GR5	
8.	803-013C	NUT LOCK 3/8-16 PLT	
9.	806-010C	U-BOLT 1/2-13 X 2 1/2 X 3 1/2	
10.	804-017C	WASHER FLAT 1/2 USS PLT	
11.	804-015C	WASHER LOCK SPRING 1/2 PLT	
12.	803-020C	NUT HEX 1/2-13 PLT	
13.	802-044C	HHCS 1/2-13X4 GR5	
14.	113-790S	40P MARKER DISC & HUB ASSEMBLY	Refer to page 12-3 for breakdown
15.	113-686D	3S-4000 MARKER HINGE PIN LG	
16.	113-722H	3S-4000 MARKER TRANS BRC WLMT	
17.	802-099C	HHCS 1/2-13X3 1/4 GR5	
18.	113-715H	3S-4000 MARKER 1ST SEC WLMT	
19.	800-001C	GREASE ZERK STRAIGHT 1/4-28	
20.	818-580C	DECAL WARNING OVERHEAD MKR HAZ	
21.	818-579C	DECAL WARNING PINCH/SHEAR HAZ	
22.	810-423C	CYL 3X24X1.50 ROD (TIE ROD)	Refer to page 12-9 for breakdown
23.	811-065C	EL 9/16MJIC 9/16MORB	
24.	805-131C	PIN CLEVIS 1 X 4 11/16 USABLE	
25.	804-028C	WASHER FLAT 1 USS PLT	
26.	805-058C	PIN COTTER 3/16 X 2	
27.	802-138C	HHCS 5/16-18X2 1/4 GR5	
28.	803-011C	NUT LOCK 5/16-18 PLT	
29.	803-024C	NUT LOCK 5/8-11 PLT	
30.	113-683D	3S-4000 MARKER CYL PIN SPACER	
31.	113-682D	3S-4000 MARKER CYL PIN LOCK	
32.	802-100C	HHCS 5/8-11X4 1/2 GR5	
33.	802-114C	HHCS 3/8-16X2 1/2 GR5	
34.	113-685D	3S-4000 MARKER LIFT ARM	
35.	803-019C	NUT LOCK 1/2-13 PLT	
36.	803-027C	NUT HEX 3/4-10 PLT	
37.	804-023C	WASHER LOCK SPRING 3/4 PLT	
38.	804-025C	WASHER FLAT 3/4 SAE PLT	
39.	806-172C	U-BOLT 3/4-10 X 10 1/32X11 1/2	
40.	113-780H	40P TRANS REST WLDMT	
41.	113-717D	3S-4000 MARKER CHAIN 70 IN LG	
42.	802-589C	HHCS 7/16-14X2 GR5	
43.	803-200C	NUT HEX LOCK 7/16-14 PLT	
44.	802-062C	HHCS 5/8-11X5 GR5	
45.	803-024C	NUT LOCK 5/8-11 PLT	
46.	113-792H	MARKER SHEAR BASE	
47.	113-687D	3S-4000 MARKER HING PIN SHORT	
48.	113-790D	MARKER LIFT ARM TUBE BENT	
49.	805-004C	PIN CLEVIS 1 X 2 3/4 USABLE LG	

**Legend:** ● = 1st revision; ● = 2nd revision; ● = 3rd revision; ● = use up existing stock; ⊗ = not interchangeable; ⊗ ① ● = for example: revision 2 is not interchangeable w/revision 1

## Marker Disk And Hub (113-790S)

---



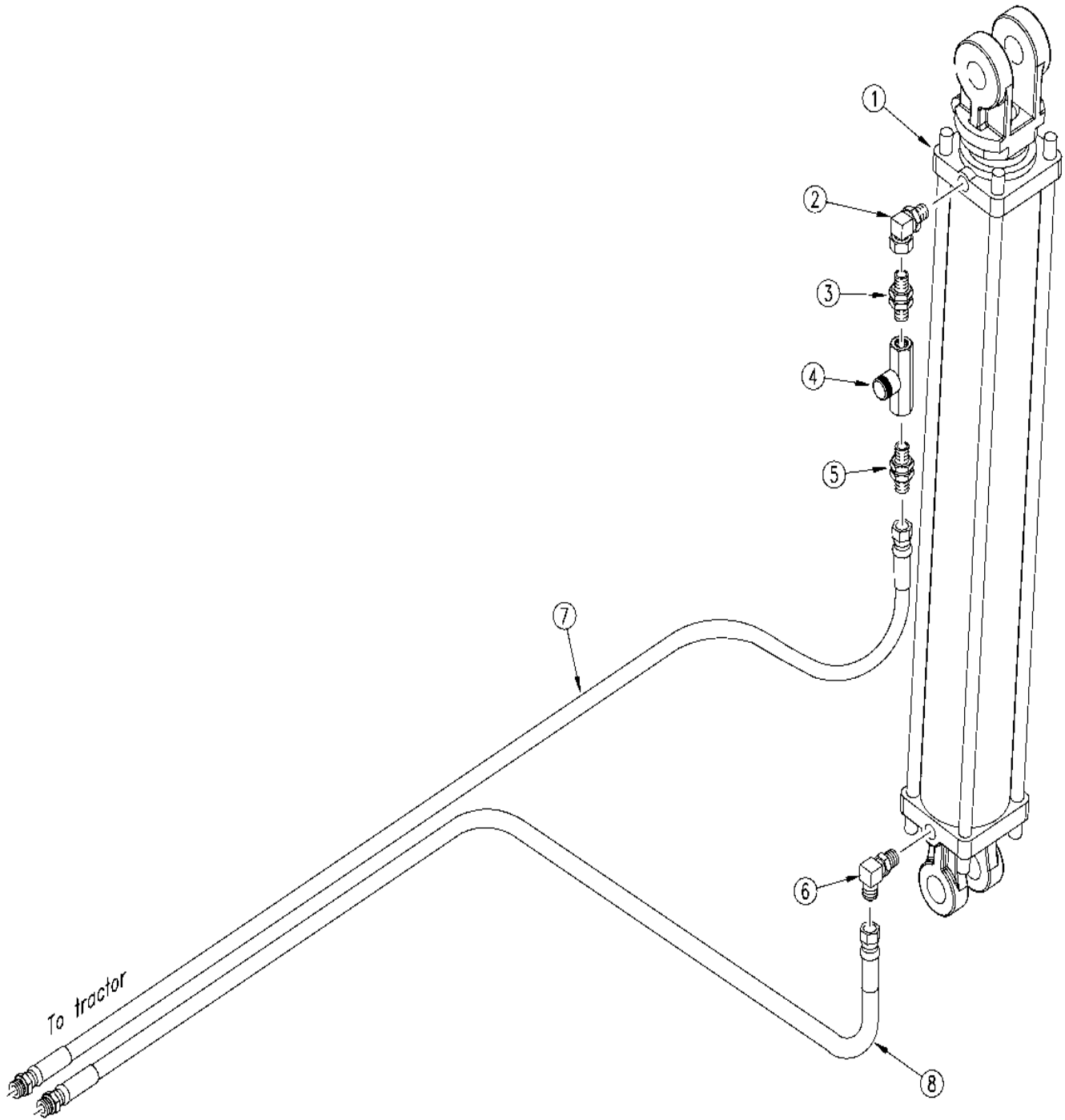
## Marker Disk And Hub (113-790S)

**12**

Ref.	Part No.	Part Description	Comments
1.	113-789H	40P 1 SPINDLE MARKER WELDMENT	
2.	816-014C	TINE GAUGE WHEEL HUB SEAL	
3.	822-030C	BEARING CONE L44643	
4.	822-080C	BEARING CUP L44610	
5.	1-100-02-00	RELIABLE HUB 4 BOLT	
6.	B0-47	NEILSON STUD 1/2-20UNFX1 13/16	
7.	890-614C	GREASE CAP #1505	
8.	815-001C	GW HUB	Includes 2,3,4,5 & 7
9.	804-025C	WASHER FLAT 3/4 SAE PLT	
10.	803-053C	NUT HEX SLOTTED 3/4-16	
11.	805-019C	PIN COTTER 5/32 X 1 PLT	
12.	820-094C	16 4-BOLT NOTCHED MARKER DISK	
13.	113-369H	DEPTH BAND 10 4-BOLT 4B.C.	
14.	803-159C	NUT LUG 1/2-20 X 60 DEG PLT	

**Legend:** ● = 1st revision; ● = 2nd revision; ● = 3rd revision; ● = use up existing stock; ⊗ = not interchangeable; ⊗ ① ● = for example: revision 2 is not interchangeable w/revision 1

# LH Marker Hydraulics



20305

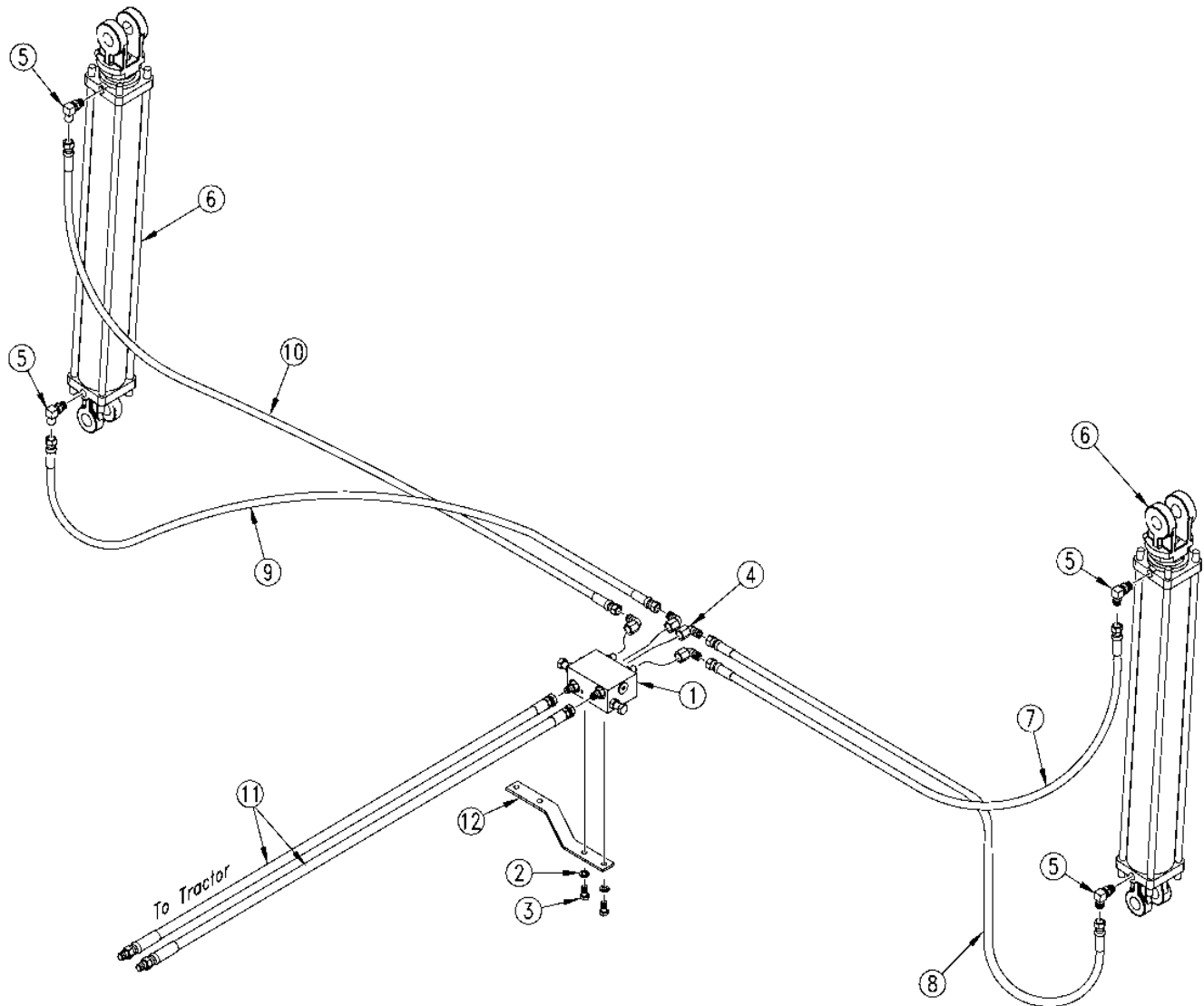
## LH Marker Hydraulics

Ref.	Part No.	Part Description	Comments
1.	810-423C	CYL 3X24X1.50 ROD (TIE ROD)	Refer to page 12-9 for breakdown
2.	811-281C	EL 3/8FNPT 9/16MORB	
3.	811-044C	AD 3/8MNPT	
4.	810-058C	VALVE 3/8 NEEDLE	
5.	811-151C	AD 9/16MJIC 3/8MNPT	
6.	811-065C	EL 9/16MJIC 9/16MORB	
7.	811-586C	HH3/8R1 134 9/16FJIC	
8.	811-217C	HH3/8R1 114 9/16FJIC	
9.	811-822C	HH3/8R1 384 9/16FJIC 3/4MORBS	
10.	810-274C	DOUBLE SELECTOR VALVE 3/4FORB	Refer to page 9-21 for breakdown
11.	811-171C	EL 3/4MORB 9/16MJIC	
12.	196-862D	SELECTOR VALVE MOUNT STRAP	
13.	802-017C	HHCS 3/8-16X1 GR5	
14.	804-011C	WASHER FLAT 3/8 USS PLT	
15.	804-013C	WASHER LOCK SPRING 3/8 PLT	
16.	803-014C	NUT HEX 3/8-16 PLT	
17.	802-024C	HHCS 3/8-16X3 GR5	

**Legend:** ● = 1st revision; ● = 2nd revision; ● = 3rd revision; ● = use up existing stock; ⊗ = not interchangeable; ⊗ ① ● = for example: revision 2 is not interchangeable w/revision 1

## Dual Marker Hydraulics

---





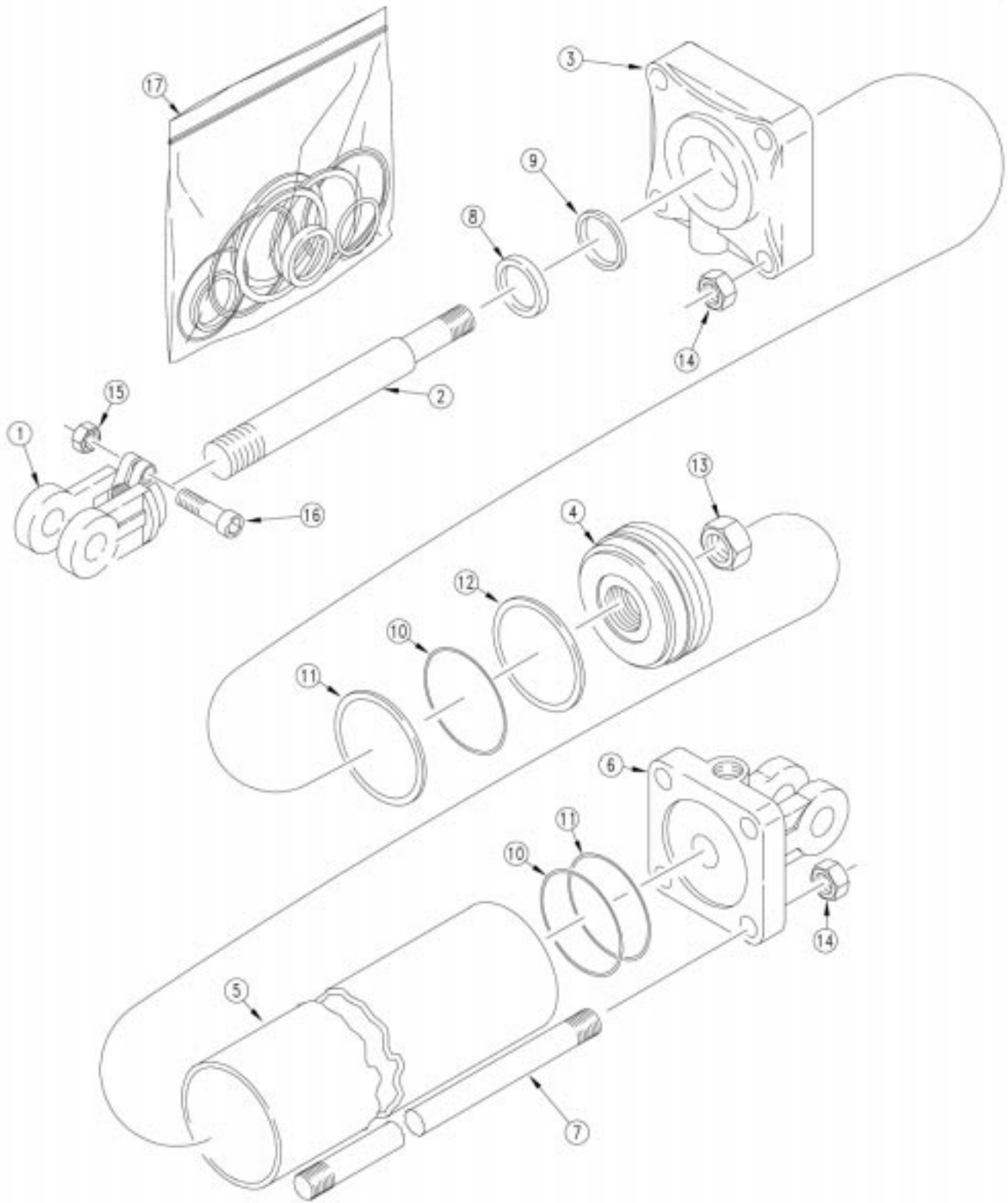
## Dual Marker Hydraulics

---

Ref.	Part No.	Part Description	Comments
1.	810-422C	VALVE,SEQ SHOEMAKER HI FLO	Refer to page 12-11 for breakdown
2.	804-013C	WASHER LOCK SPRING 3/8 PLT	
3.	802-014C	HHCS 3/8-16X3/4 GR5	Refer to page 12-9 for breakdown
4.	811-169C	EL 9/16MJIC 9/16FJIC	
5.	811-065C	EL 9/16MJIC 9/16MORB	
6.	810-423C	CYL 3X24X1.50 ROD (TIE ROD)	
7.	811-586C	HH3/8R1 134 9/16FJIC	
8.	811-217C	HH3/8R1 114 9/16FJIC	
9.	811-803C	HH3/8R1 372 9/16FJIC	
10.	811-804C	HH3/8R1 396 9/16FJIC	
11.	811-199C	HH3/8R1 340 9/16FJIC 3/4MORB	
12.	196-862D	SELECTOR VALVE MOUNT STRAP	

**Legend:** ● = 1st revision; ● = 2nd revision; ● = 3rd revision; ● = use up existing stock; ⊗ = not interchangeable; ⊗ ① ● = for example: revision 2 is not interchangeable w/revision 1

## Hydraulic Cylinder (810-423C 3 x 24 x 1.5 Rod)



## Hydraulic Cylinder (810-423C 3 x 24 x 1.5 Rod)

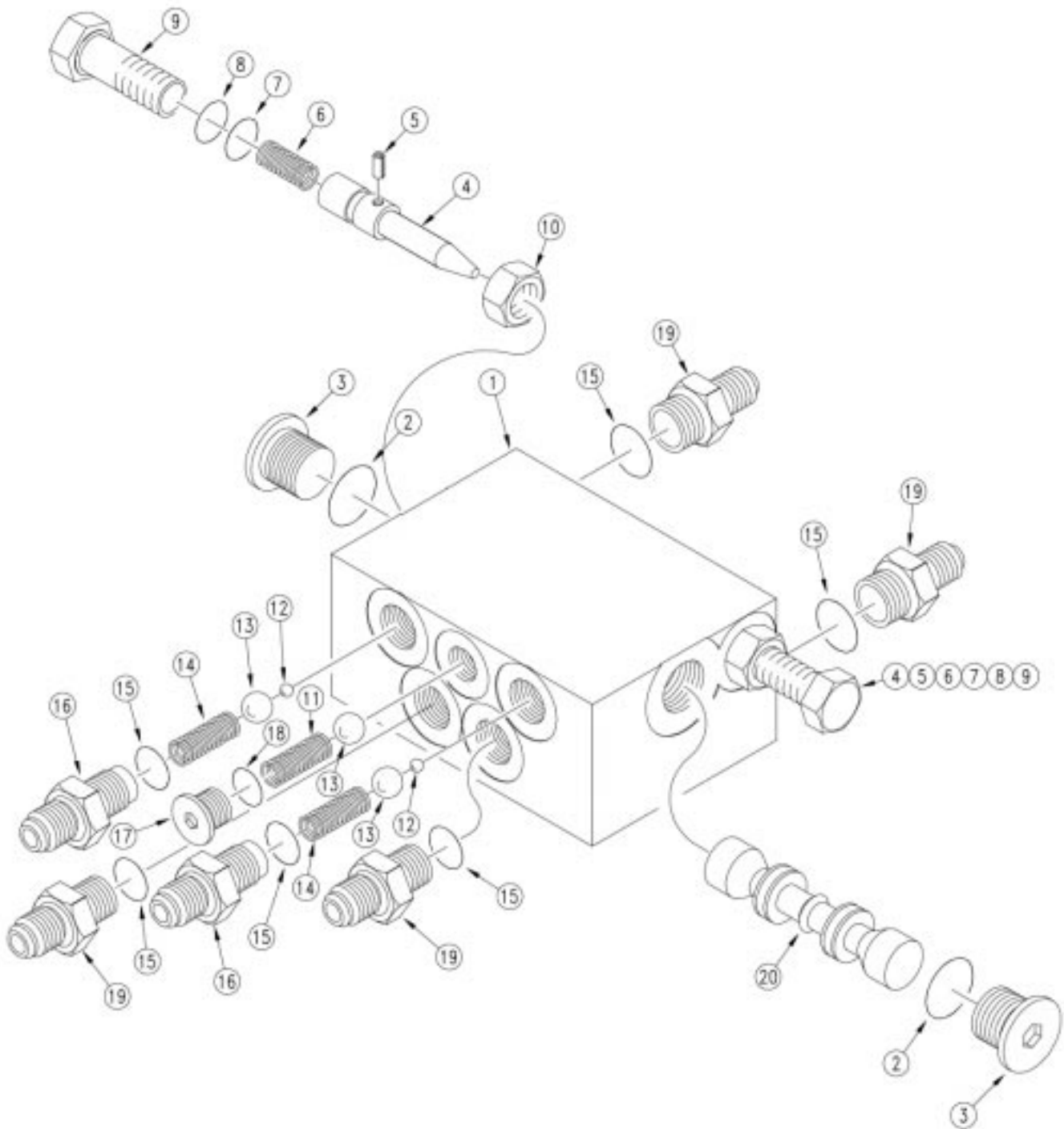
**12**

Ref.	Part No.	Part Description	Comments
1.	1M7016	CLEVIS ROD MIDWAY	
2.	2M4532	MW ROD	
3.	3R1510	MW HEAD	
4.	4M4108	MW PISTON	
5.	5M4132	MW TUBE	
6.	6R1144	MW BASE	
7.	7M4332	MW TIE ROD	
8.		MW WIPER	Only found in seal kit 17
9.		MW U-CUP	Only found in seal kit 17
10.		MW O-RING	Only found in seal kit 17
11.		MW BACKUP	Only found in seal kit 17
12.		MW CROWN SEAL	Only found in seal kit 17
13.	2A0024	MW NUT, PISTON	
14.	2A0014	MW TIE ROD NUT	
15.	2A0012	MW CLEVIS NUT	
16.	2A0006	MW CAPSCREW	
17.	810-430C	SEAL KIT MW 3 CYL 5A4106	

**Legend:** ● = 1st revision; ● = 2nd revision; ● = 3rd revision; ● = use up existing stock; ⊗ = not interchangeable; ⊗ ① ● = for example: revision 2 is not interchangeable w/revision 1

## Sequence Valve (810-422C)

---



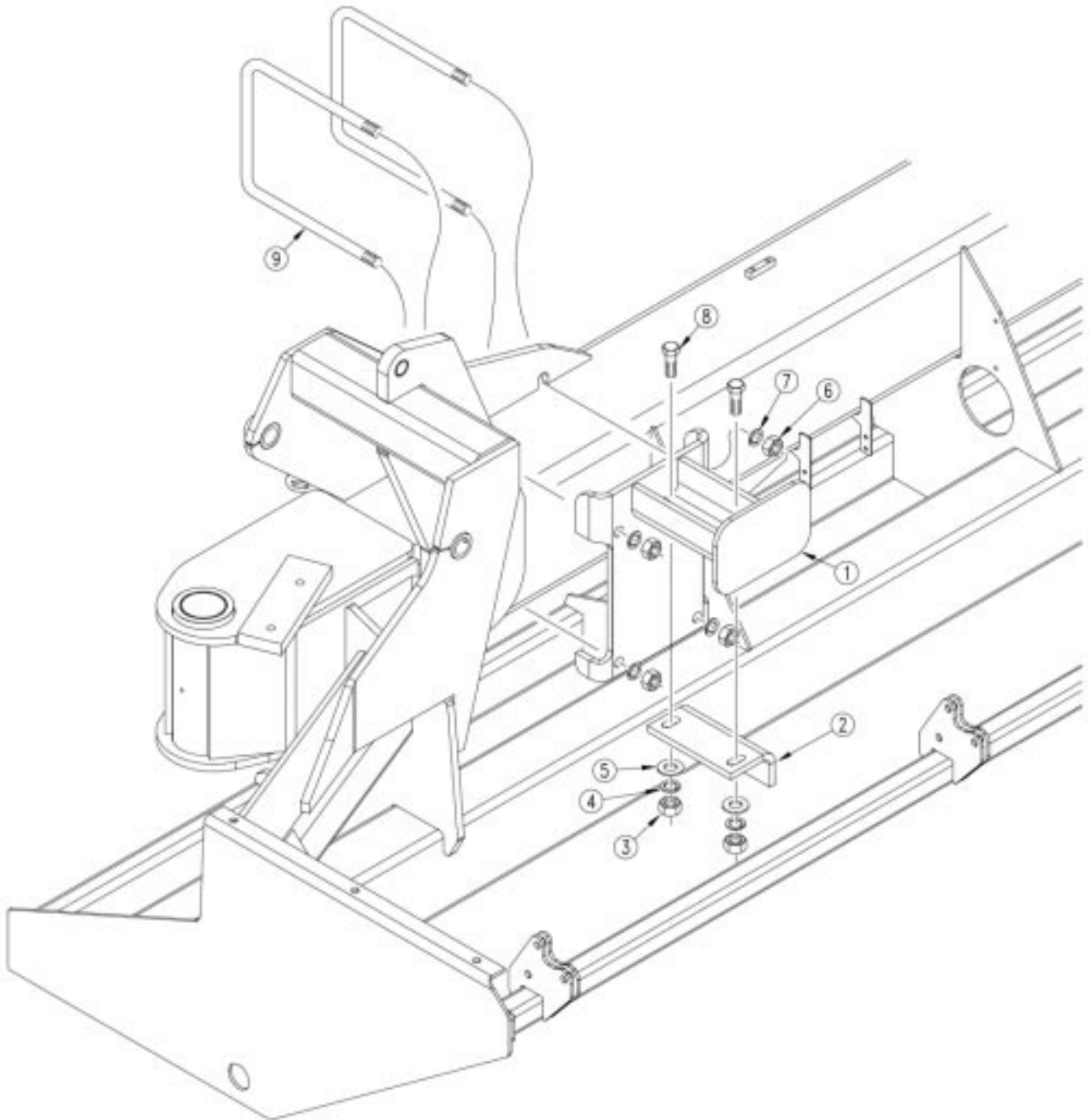
## Sequence Valve (810-422C)

Ref.	Part No.	Part Description	Comments
1.	3089	SHOEMAKER BODY MKR SEQ VALVE	
2.	1088-908	SHOEMAKER O-RING	
3.	1132-08	SHOEMAKER PLUG, HEX SOCKET	
4.	1179	SHOEMAKER NEEDLE, FLOW CONTROL	
5.	1217	SHOEMAKER .125 SPRING PIN	
6.	1211	SHOEMAKER SPRING COMPRESSION	
7.	1088-011	SHOEMAKER O-RING	
8.	1089-011	SHOEMAKER TEFLON BACK UP RING	
9.	1180	SHOEMAKER SCREW, FLOW CON. ADJ.	
10.	1218	SHOEMAKER HEX, JAM NUT Z PLTD.	
11.	1099	SHOEMAKER SPRING DETENT	
12.	1087-250	BALL, STEEL 1/4 DIAMETER	
13.	1087-437	SHOEMAKER 7/16 DIA STEEL BALL	
14.	1042	SPRING	
15.	1088-906	SHOEMAKER O-RING	
16.	1182	SHOEMAKER FITTING PORT ADPT.	
17.	1132-05	SHOEMAKER HEX, SKT O-RING PLUG	
18.	1088-905	SHOEMAKER O-RING	
19.	1092-6	SHMKR ST CNTR REPL BY 1092-6-6	
20.	2154	SHOEMAKER SPOOL, MKR SEQ. .076	

**Legend:** ● = 1st revision; ● = 2nd revision; ● = 3rd revision; ● = use up existing stock; ⊗ = not interchangeable; ⊗ ① ● = for example: revision 2 is not interchangeable w/revision 1

## Weight Bracket (Option)

---



## Weight Bracket (Option)

Ref.	Part No.	Part Description	Comments
1.	196-291H	40P WEIGHT BRACKET WLDMNT	
2.	197-062D	WEIGHT BRACKET ADJ LEG	
3.	803-021C	NUT HEX 5/8-11 PLT	
4.	804-022C	WASHER LOCK SPRING 5/8 PLT	
5.	804-019C	WASHER FLAT 5/8 USS PLT	
6.	803-027C	NUT HEX 3/4-10 PLT	
7.	804-023C	WASHER LOCK SPRING 3/4 PLT	
8.	802-057C	HHCS 5/8-11X2 1/4 GR5	
9.	806-172C	U-BOLT 3/4-10 X 10 1/32X11 1/2	

**Legend:** ① = 1st revision; ② = 2nd revision; ③ = 3rd revision; ● = use up existing stock; ⊗ = not interchangeable; ⊗ ① ② = for example: revision 2 is not interchangeable w/revision 1